

Plastic Miniature Precision Pressure Regulator

R800 / R900

Description

Miniature precision regulator with high supply sensitivity. Made of plastic. Wetted sections corrosion-resistant. Hysteresis-free adjustment up to 20 turns, allows pressure setting to 2.5 mbar / 1" WC. compressed air or non-corrosive gases max. 10 bar

Media Supply pressure Accuracy

at supply pressure variation of 1 bar:
at supply pressure removal/reapplication:
setting accuracy:

R800 / R900 / R901	R810 / R910 / R911
< 7 mbar pressure deviation	< 20 mbar pressure deviation
< 7 mbar pressure deviation	< 17 mbar pressure deviation
< 2.5 mbar	< 5 mbar
0.35 l/min at 7 bar supply	0 l/min, flow > 20 ml/min recommended

Air consumption

relieving, optionally non-relieving (R.1.)
15 l/min at 0.35 bar outlet above set-point

Gauge port not available

Relieving function

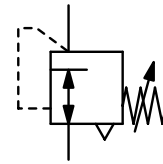
Relief capacity

Temperature range

Material

Body: polysulfones
Inner valve: polysulfones and stainless steel

Elastomer: NBR/Buna-N



10-32 UNF, 1/8" NPT or flangeable
compressed air

Miniature



Dimensions			Pressure adjustment by	Flow rate l/min*1	Pressure range bar	Order number for manifold with o-ring	Order number 10-32 UNF standard
A mm	B mm	C mm					

Precision pressure regulator

supply pressure max. 10 bar, relieving, with constant bleed

R900

29	78	8	knob	65	0.01 ... 0.24	R900-3,5MWK	R900-3,5WK
					0.01 ... 0.7	R900- 10MWK	R900- 10WK
					0.01 ... 2.1	R900- 30MWK	R900- 30WK
					0.02 ... 4.2	R900- 60MWK	R900- 60WK
					0.02 ... 6.5	R900- 90MWK	R900- 90WK
29	60	8	spindle	65	0.01 ... 0.24	R900-3,5WOS	R900-3,5WOS
					0.01 ... 0.7	R900- 10WOS	R900- 10WOS
					0.01 ... 2.1	R900- 30WOS	R900- 30WOS
					0.02 ... 4.2	R900- 60WOS	R900- 60WOS
					0.02 ... 6.5	R900- 90WOS	R900- 90WOS
29	43	8	preset	65	to be indicated	R901-..M	R901-..



R800-..WK mounting nut incl. R900-..WK mounting nut incl.

Special options, add or change the appropriate number

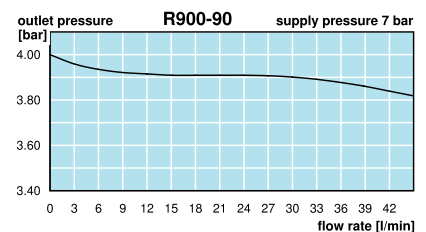
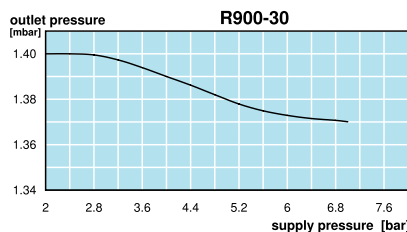
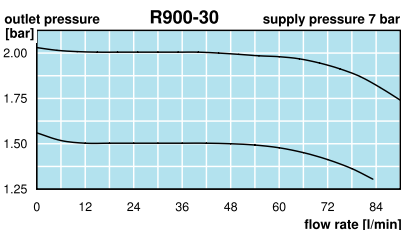
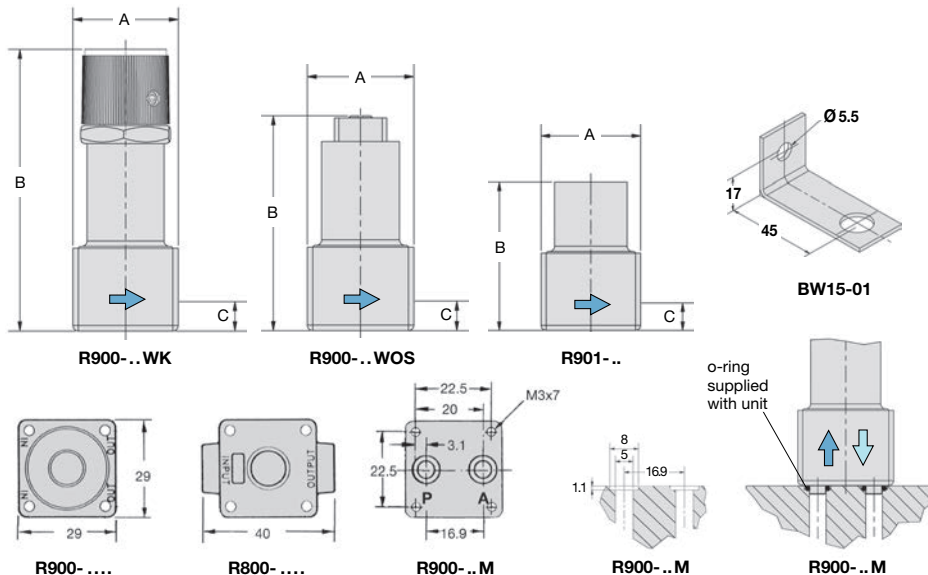
1/8" NPT
non-relieving
for oxygen

connection thread, width 40 mm
without constant bleed
specially cleaned

R8...W...
R.1...
R...15

Accessories, enclosed

mounting bracket made of steel for R800 and R900 BW15-01



*1 at 7 bar supply pressure, 6 bar outlet pressure and 1 bar pressure drop



Order example:
R900-3,5MWK

China website: www.duray-control.cn