

DG02

Rotor-Type Flow Indicator

- Sturdy, robust design
- Available in red bronze or stainless steel
- Resistant to high heat



Description:

The DG02 mechanical flow indicator is used for visual verification of liquid flow. The rotational speed of the rotor is proportional to the liquid flow rate. The domed sight glass allows the rotor to be easily seen at any time. These devices are made of high-quality materials, allowing them to be used with a great variety of liquids.

Typical Applications:

DG02 mechanical flow indicators are used to monitor the flow of liquids of low to medium viscosity in pipe systems.

Models:

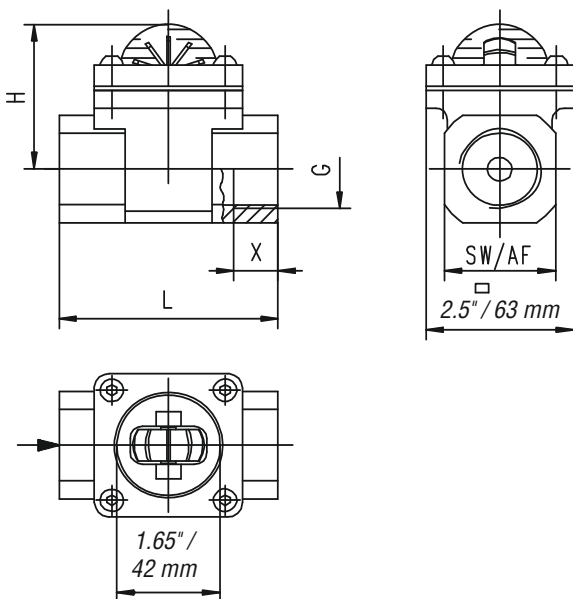
Materials: Red bronze or stainless steel

Flow Rates:

NPT / G	Pmax. (psi / bar)	Qmax GPM / l/min water	Rotor Start l/min water
1/4"	232 / 16	7.9 / 30	0.18 / 0.7
3/8"	232 / 16	10.5 / 40	0.21 / 0.8
1/2"	232 / 16	14.5 / 55	0.26 / 1.0
3/4"	232 / 16	24 / 90	0.32 / 1.2
1"	232 / 16	37 / 140	0.40 / 1.5

Dimensions:

NPT / G	L in inch / mm	H in inch / mm	X in inch / mm	Weight in lbs / kg
1/4"	3 / 76	2 / 53	0.47 / 12	1.54 / 0.70
3/8"	3 / 76	2 / 53	0.63 / 16	1.43 / 0.65
1/2"	3 / 76	2 / 53	0.55 / 14	1.43 / 0.65
3/4"	3.5 / 89	2.6 / 66	0.71 / 18	2.75 / 1.25
1"	3.5 / 89	2.6 / 66	0.71 / 18	2.64 / 1.20



Model Key:

Order Number: DG02. R. 10. 0

Rotor-Type Flow Indicator

Materials:

R = Red bronze
E = Stainless steel

Connections:

08N = 1/4" NPT	08 = G 1/4
10N = 3/8" NPT	10 = G 3/8
15N = 1/2" NPT	15 = G 1/2
20N = 3/4" NPT	20 = G 3/4
25N = 1" NPT	25 = G 1

Special features:

0 = None
1 = Please specify in writing.

Technical Specifications:

Max. pressure: 232 psi / 16 bar
Pressure loss: 0.73 psi / 0.05 bar at Qmax.
Max. temperature: 392 °F / 200 °C

Materials:

DG02.R:
Housing: Red bronze
Housing cover: Brass
Sight glass: Borosilicate glass
Pins: Stainless steel
Rotor: PPS
Gasket: Klingersil C-4400

DG02.E:
Housing: Stainless steel
Housing cover: Stainless steel
Sight glass: Borosilicate glass
Pins: Stainless steel
Rotor: PPS
Gasket: Klingersil C-4400

Installation position:

This device is only of limited suitability for downward vertical flows; otherwise, it may be installed in any position.

PKP Prozessmesstechnik GmbH

Borsigstraße 24 · D-65205 Wiesbaden

+49 (0) 6122-7055-0 · +49 (0) 6122-7055-50
Email: info@pkp.de · Internet: www.pkp.de

PKP Process Instruments Inc.

10 Brent Drive · Hudson, MA 01749

+1-978-212-0006 · +1-978-568-0060
Email: info@pkp.eu · Internet: www.pkp.eu

