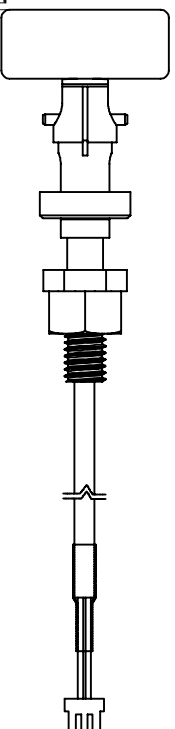


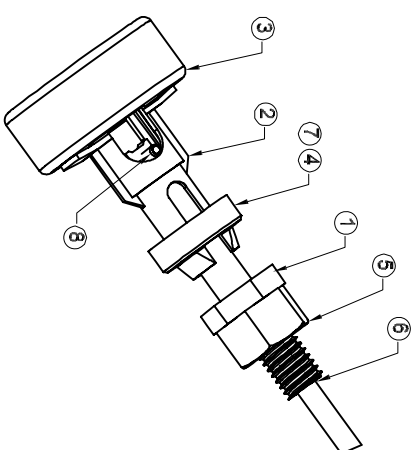
The float in the lowest

Operation Instruction



*SC Read SW Operation According to K1:

K1	K=0~1.5mm	K=1.5~3.5mm	K=3.5mm or more
Read SW Operation	Full ON	ON/OFF	Full OFF



ELECTRICAL

Contact Type	Form A
Contact Rating	10W Max
Voltage Switching	200 VDC Max
	125 VAC RMS Max
Voltage Breakdown	200 VDC Min
Current Switching	0.35 ADC Max
	0.25 ADC RMS Max
Current Carry	0.35 ADC Max
	0.25 AAC RMS Max
Contact Resistance Initial	0.5 Ohm Max
(Including Leads)	N. 0.

PHYSICAL

1. Base	POM Color Nature
2. Float Support	POM Color Nature
3. Float	PP Color Nature
4. Magnet Gap	PP Color Nature
5. Nut	PA66 Color Nature
6. Encapsulant	Epoxy Black
7. Magnet	Ferrite
8. Shaft	SUS 304
9. Cable	PVC 105°C 24*20 Grey φ3.8mm UL
10. Heat Shrink Tube	φ3.5mm Length 20mm
11. Connector Housing	SMH250-02L Black
12. Connector Terminal	YST-025L
13. Retainer	SMH-250U-02RT

MI SENSOR TECH (Shanghai) LTD.

REV. CHK. BY ZONE	1. RELEASE DRAWING.	DESCRIPTION	zhangxiaoqing	DATE	20120712
-------------------	---------------------	-------------	---------------	------	----------

PART NO	DRAWING NO.	PART NAME	LS19/6281B	V1.3
---------	-------------	-----------	------------	------

TOLERANCE	LINEAR: ±	ANG. ±	FINISHED BY	DRAWN BY
	0 ±0.5	0 ±2°		Zhangxiaoqing
	0.0 ±0.2	0.0 ±1°		Xutao
	0.00 ±0.1	0.00 ±0.5°		

SCALE	1:1	DRAFT ANGLE	1°	APPROVED BY	Xutao
ALL DIMENSION ARE IN MM SHEET DF					