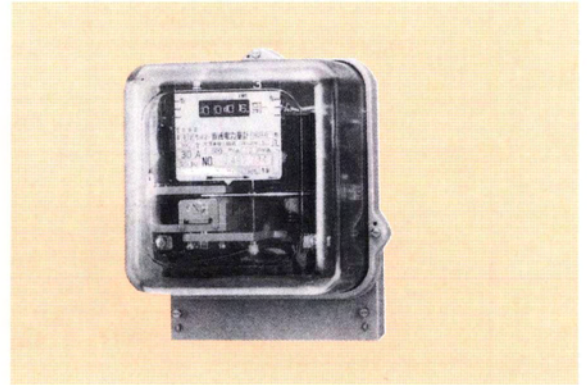
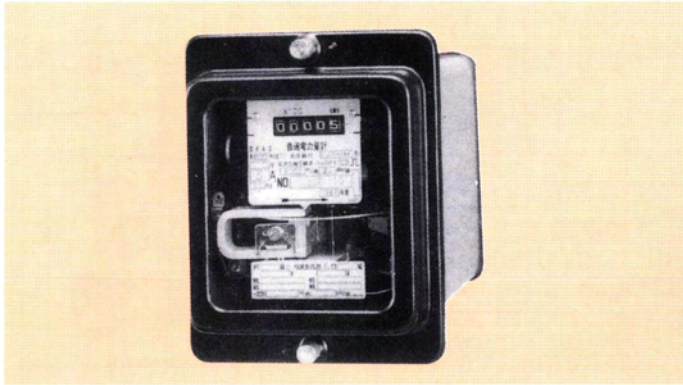


TOYO

東洋 電力量計、無效電力量計

WATTHOUR AND VARHOUR METER



■ GENERAL

These TOYO kWh meters are used for the accurate measurement of large energy demand and permit more precise power management. The meter has a one-disk mechanism with pointer and dial indications. Surface and flush-mounted versions are available.

The WG-5A WATTHOUR METER WITH PULSE INITIATOR is designed to indicating and transmit a pulse signal corresponding to the amount of power consumed. These meters are provided with oscillating coil. Transistor pulse initiating circuit and a mercury switch. Meters with pulse initiators are simply designed and robust so that they will give troublefree service over long periods with little attention. They are generally used with counters, recorder, computer system, and other receiving equipment.

■ FEATURES

- High accuracy across the extended load range
- Stability coupled with long life expectancy.
- Cyclometer type register of low friction (5 number wheels)
- Small starting current (Less than 0.25% of rated current at rate voltage and power factor 1.0)
- Low power consumption (Apparent power (at 110V 60Hz) Voltage circuit: 4.8VA, Current circuit: 1.6VA)
- Insulation resistance: Over 10MΩ at 500VDC
- Dielectric strength: 2000VAC rms 1 minute

■ SPECIFICATION

• WATTHOUR METER

PHASE AND LINES	TYPE	MOUNTING TYPE	Rated			Wt. (Kg)	ACCURACY
			Voltage (V)	Current (A)	Frequency (Hz)		
1φ2W	S11	SURFACE	110,220	30	50 or 60	1.5	2.0 *(1.0)
	S11	"		120		1.9	
	S11	"		- /5		1.5	
	S11-V	FLUSH MOUNTING		- /5		2.4	
1φ3W	S21	SURFACE	110/220	30	"	2.7	2.0 *(1.0)
	S21	"	110	120		3.7	
	S21	"	220	- /5		2.7	
	S21-V	FLUSH MOUNTING	- /5	3.2			
3φ3W	S31	SURFACE	110,220 - /110	30	"	2.7	2.0 *(1.0)
	S31	"		120		3.7	
	S31	"		- /5		2.7	
	S31-V	FLUSH MOUNTING		- /5		3.2	
3φ4W	S74	SURFACE	63.5/110	30	"	3.7	2.0 *(1.0)
	S74	"	110/190	120		3.9	
	S74	"	120/208	- /5		3.7	
	S74-V	FLUSH MOUNTING	220/380	- /5		4.2	

* Accuracy 1.0 class is precision-type, add P to the type, ex. S31-VP
Non-reverse running devices are available.

• WATTHOUR METER WITH PULSE INITIATOR

TYPE	PHASE AND LINE	CAT. NO.	MOUNTING	Rated.		Freq. (Hz)	Wt (Kg)	ACCURACY
				VOLT.(V)	CURR.(A)			
WG-5A	1 ϕ 2W	0B09K9	SURFACE	110 220	30	50 or 60	1.8	2.0 *(1.0)
		OB09GK9	"		120		2.5	
		0B09HK9	"		- /5		1.8	
		OB09HK9VR	FLUSH-MOUNT.		- /5		1.8	
	1 ϕ 3W	0W09K9	SURFACE	110/220 110 220	30		3.0	2.0 *(1.0)
		OW09GK9	"		120		4.3	
		0W09HK9	"		- /5		3.0	
		OW09HK9VR	FLUSH-MOUNT.		- /5		3.0	
	3 ϕ 3W	0W09K9	SURFACE	110 220 - /110 - /220	30		3.0	2.0 *(1.0)
		OW09GK9	"		120		4.3	
		0W09HK9	"		- /5		3.0	
		OW09HK9VR	FLUSH-MOUNT.		- /5		3.0	
	3 ϕ 4W	0Q91K9	SURFACE	63.5/110 110/190 120/208 220/380	30		4.1	2.0 *(1.0)
		OQ91GK9	"		120		5.4	
		0Q91HK9	"		- /5		4.1	
		OQ91HK9VR	FLUSH-MOUNT.		- /5		4.2	

* Accuracy 1.0 class is precision-type, add P to the type, ex OW09HPK9VR

• VARHOUR METER AND WITH PULSE INITIATOR

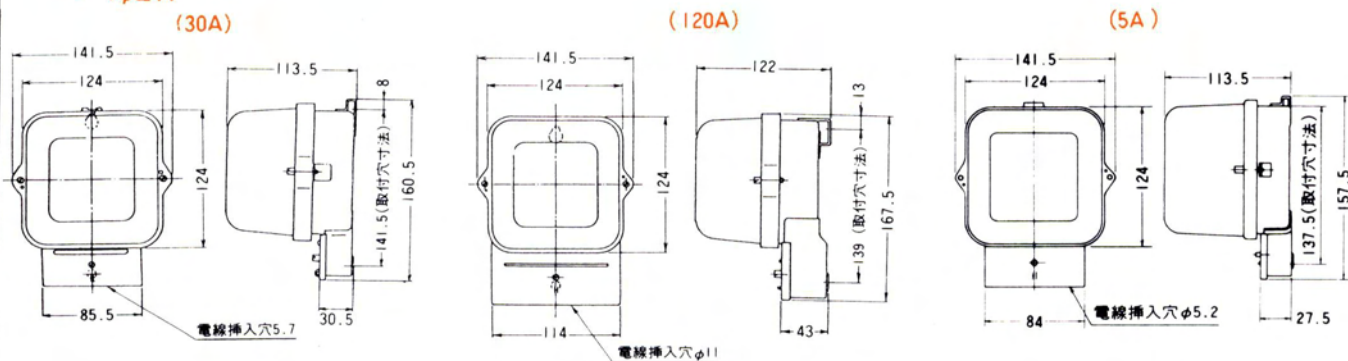
PHASE AND LINES	TYPE	MOUNTING	Rated		Freq. (Hz)	Wt (Kg)	ACCURACY	MARK
			VOLT.(V)	CURR.(A)				
3 ϕ 3W	Q93	SURFACE	- /110	- /5A	50 or 60	4.1	2.5	WITH PULSE
	Q93-V	FLUSH-MOUNT.				4.2		
3 ϕ 4W	Q94	SURFACE	63.5/110 110/190 120/208 220/380	- /5A		4.1		
	Q94-V	FLUSH-MOUNT.				4.2		
3 ϕ 3W QG-5A	OS09K9	SURFACE	- /110	- /5A		4.1		
	OS09K9VR	FLUSH-MOUNT.				4.2		
3 ϕ 4W QG-5A	OR91HK9	SURFACE	63.5/110 110/190 120/208 220/380	- /5A		4.1		
	OR91HK9VR	FLUSH-MOUNT.				4.2		



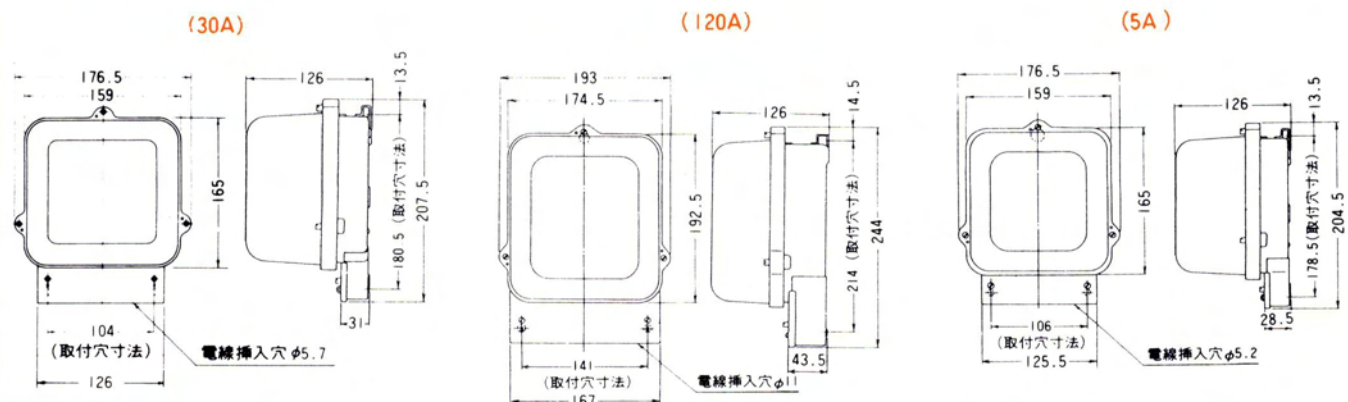
DIMENSIONS

SURFACE MOUNTING

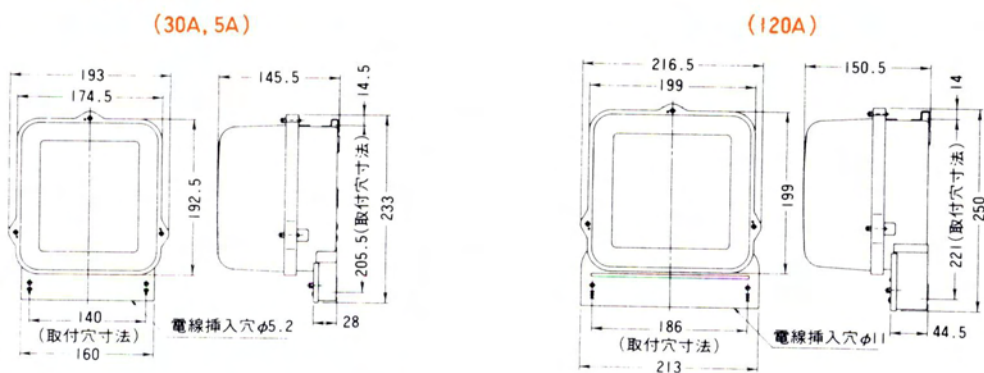
• 1φ2W



• 1φ3W/3φ3W

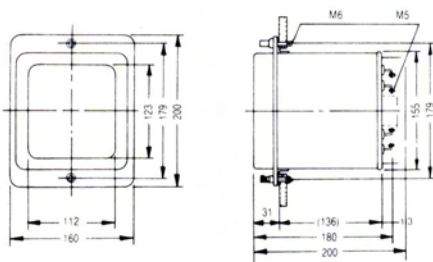


• 3φ4W

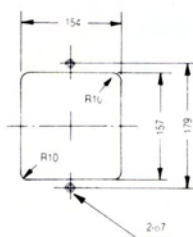


FLUSH MOUNTING

• 1φ2W, 1φ3W, 3φ3W, 3φ4W

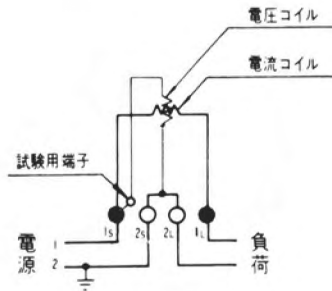


PANEL CUT

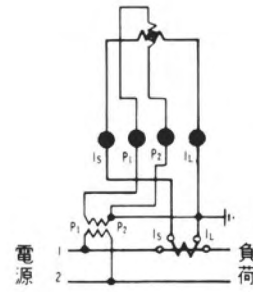
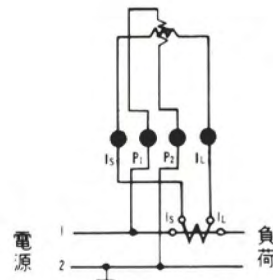
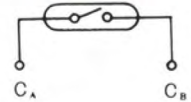


■ CONNECTIONS

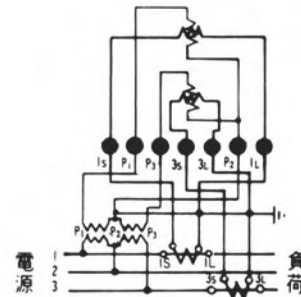
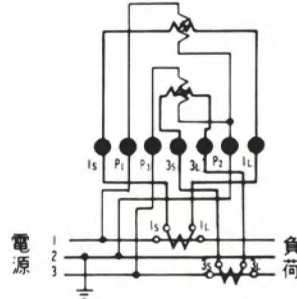
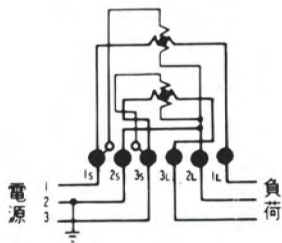
• 1φ2W



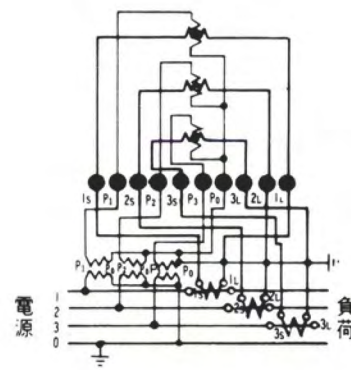
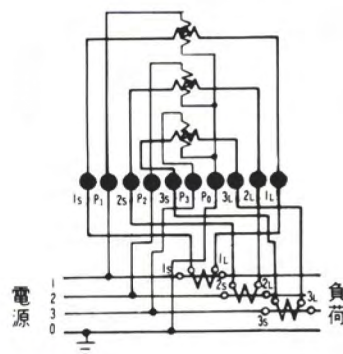
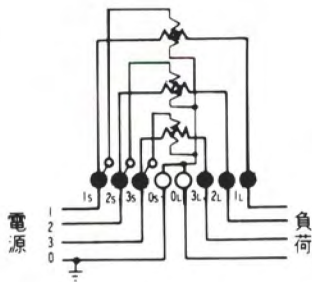
PULSE INITIATOR



• 3φ3W



• 3φ4W



昆山苏美自动化科技有限公司

Kunshan Sumei Automation Technology Co.,LTD

TEL: (+86) 512- 57910267 57914649 FAX: (+86) 512-82092939

Mail: kssumei@163.com

Web: http://www.smzd.com