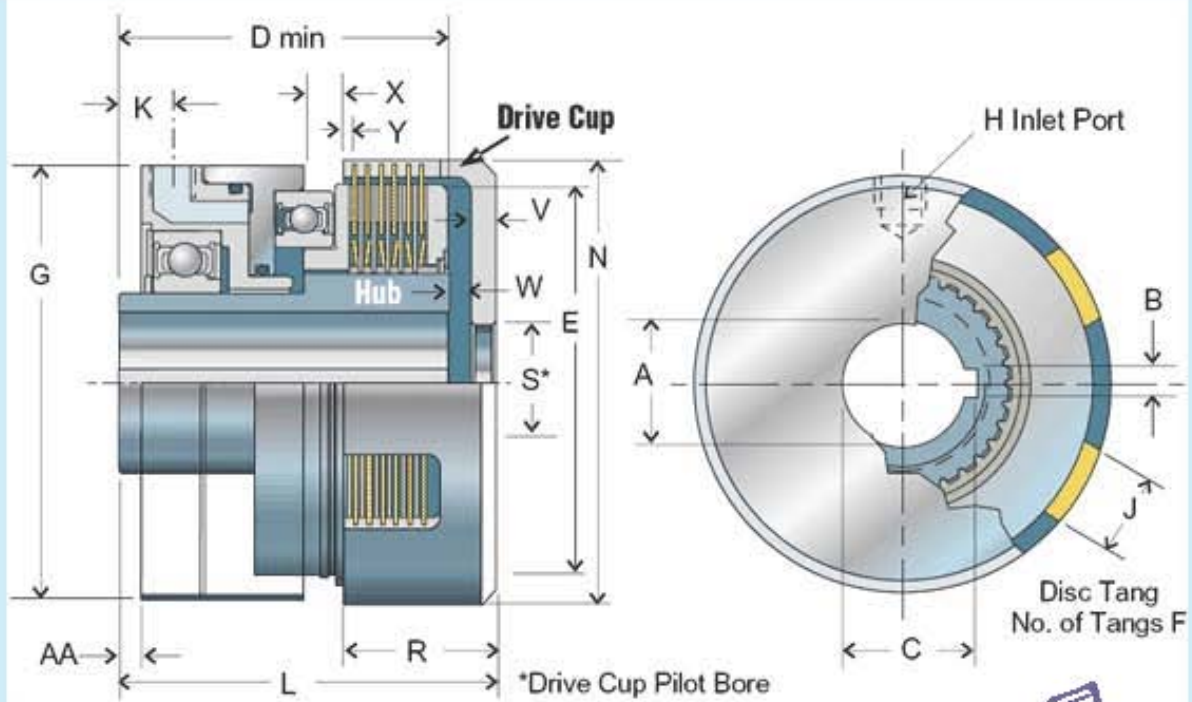


- Hydraulic or Pneumatic Actuation
- Sealed Pre-lubricated Bearings
- Dry Applications
- Stationary Cylinder and Piston
- Fast Response / Lower Inertia
- Easy Installation
- Minimal Actuating Flow
- Positive Disengagement
- Can be Modified to Meet Specific
- Application Requirement

HYDRAULIC/PNEUMATIC CLUTCH FOR DRY OPERATION



UNIT: mm

| Model | 350 | 450 | 550 | 600 | 700 | 800 |
|---------------------------|-----------|---------|---------|---------|---------|---------|
| $\varnothing A$ max. 1 | 30 | 46 | 59 | 67 | 79 | 86 |
| D | 60.5 | 84.1 | 97 | 101.9 | 111.1 | 122.4 |
| $\varnothing E$ | 89 | 114 | 140 | 152 | 178 | 203 |
| F | 6 | 6 | 12 | 12 | 12 | 12 |
| $\varnothing G$ | 97 | 124 | 152 | 167 | 194 | 219 |
| H | 1/8"NPT | 1/8"NPT | 1/4"NPT | 1/4"NPT | 1/4"NPT | 1/4"NPT |
| J | 18.7 | 20.2 | 15.5 | 15.5 | 18.7 | 18.7 |
| K | 11 | 9 | 9 | 9 | 10 | 12 |
| L | 83.4 | 97 | 109.9 | 116.3 | 127.9 | 140.8 |
| $\varnothing N$ | 98 | 124 | 152 | 167 | 195 | 221 |
| R | 33.7 | 42.1 | 47.2 | 50.8 | 55.2 | 61.1 |
| $\varnothing S$ | 25.4 | 25.4 | 50.8 | 50.8 | 50.8 | 63.5 |
| V | 5.5 | 7 | 8 | 10 | 10 | 10 |
| W | 4.8 | 5.8 | 4.8 | 4.8 | 7.1 | 8.7 |
| X | 8.6 | 8.8 | 12.4 | 14 | 10.5 | 10.4 |
| Y | 1.5 | 2.2 | 2.1 | 2.5 | 2.7 | 3.9 |
| AA | 4.8 | 1.7 | 1.1 | 0.5 | 0.3 | 0.3 |
| Max. Speed RPM | 3600 | 2700 | 2200 | 2000 | 1600 | 1500 |
| Weight kg | 2.7 | 5.4 | 10 | 12.7 | 18.1 | 25.9 |
| Body Inertia kg^2 | 0.001 | 0.004 | 0.01 | 0.02 | 0.05 | 0.08 |
| Cylinder Volume cm^3 | new disc | 13 | 25 | 33 | 43 | 66 |
| | worn disc | 20 | 41 | 62 | 98 | 197 |
| Clutch Torque@6.9bar Nm | 438 | 853 | 1544 | 2182 | 3276 | 4894 |

NOTE: Customer to specify dimensions A, B, C. Hub bore dimensions A not to exceed maximum allowable bore.

1) Maximum allowable hub bore with standard rectangular key.