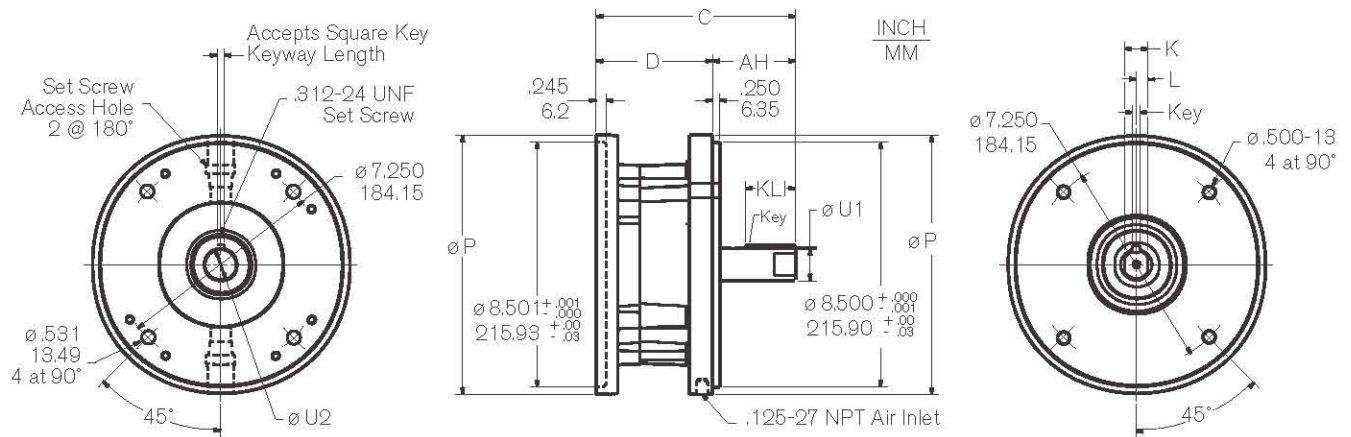


# SPRING-SET MOTOR BRAKES For 1 to 20 HP NEMA TC Flange Motors



## DIMENSIONS IN [MM]

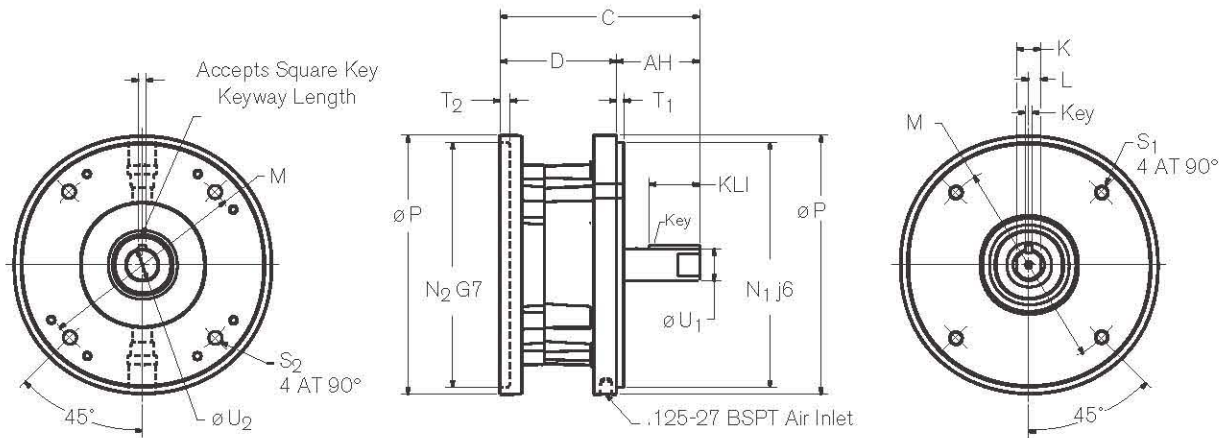
MODEL	SQUARE KEY	KEYWAY LENGTH	BORE U2 <sup>+0.000</sup> / <sub>-.001</sub>	P	D	C	AH	KLI	U1 <sup>+0.000</sup> / <sub>-.001</sub>	K	L
MEB158	---	---	0.625 [15.88]	6.70 [170.2]	5.73 [145.5]	7.792 [198.00]	2.062 [52.40]	1.490 [38.00]	0.625 [15.88]	0.50 [12.7]	0.25 [6.35]
MEB2860	0.250 [6.35]	1.875 [47.50]	1.126 [28.60]	9.00 [228.6]	4.038 [102.58]	6.924 [175.87]	2.885 [73.29]	1.750 [44.45]	1.125 [28.57]	0.81 [20.6]	0.41 [10.3]
MEB2495	0.312 [7.94]	2.500 [63.50]	1.376 [34.95]	9.00 [228.6]	4.038 [102.58]	7.408 [188.15]	3.369 [86.58]	2.250 [57.15]	1.375 [34.93]	0.98 [25.0]	0.49 [12.5]
MEB4130	0.375 [9.53]	3.000 [76.20]	1.625 [41.30]	10.00 [254.0]	4.638 [117.82]	9.639 [245.43]	4.000 [101.61]	3.000 [76.20]	1.625 [41.27]	1.21 [30.7]	0.61 [15.5]

## SPECIFICATIONS IN [MM]

MODEL	NEMA MOTOR FRAME	MIN HOLDING TORQUE <sup>⊗</sup>	HP <sub>T</sub> TO UP	INERTIA/COUPLING Kg. m <sup>2</sup> x 10 <sup>-4</sup> [lb. in. s <sup>2</sup> x 10 <sup>-3</sup> ]	MAX RPM	MIN DISENGAGEMENT AIR PRESSURE	SHIPPING WEIGHT
MEB158	56C	33 ft-lb [45 Nm]	.30	14,0 [12.4]	5000	48 psi [3.3 bar]	27 lbs [12 kg]
MEB2860	182/184	55 ft-lb [75 Nm]	.30	39,0 [34.5]	5000	48 psi [3.3 bar]	36 lbs [16 kg]
MEB2495	213/215	73 ft-lb [100 Nm]	.30	39,0 [34.5]	5000	64 psi [4.4 bar]	37 lbs [17 kg]
MEB4130	254/256 <sup>Ⓢ</sup>	92 ft-lb [125 Nm]	.30	44,0 [38.9]	5000	80 psi [5.5 bar]	50 lbs [23 kg]

Ⓢ Consult factory for 20 HP applications. HP<sub>T</sub> = Continuous Thermal HP ⊗ For other than specified holding torque, contact Nexen.

## SPRING-SET MOTOR BRAKES For 0,37 to 7,5 kW IEC B5 Flange Motors



### DIMENSIONS MM

MODEL	KEY	AH	C	D	M	N <sub>1</sub>	N <sub>2</sub>	P	S <sub>1</sub>	S <sub>2</sub>	T <sub>1</sub>	T <sub>2</sub>	U <sub>1</sub>	U <sub>2</sub>	KL1	K	L
MEB 13019	6	40	185	145	165	130	130	200	12	M10	3,5	5	19	19	33	14	7
MEB 13024	8	50	195	145	165	130	130	200	12SLOT	12SLOT	3,5	5	24	24	35	18	9
MEB 18028	8	60	163	103	215	180	180	250	M8	9	6,4	6,2	28	28	45	20	10
MEB 23038	10	80	185	105	265	230	230	300	M14	14	4,0	4,4	38	38	51	25	12,5

Tolerances / Subscript "1" = j6 "2" = G7

### SPECIFICATIONS MM

MODEL	IEC B5 MOTOR FRAME	MIN HOLDING TORQUE	kW THERMAL DISSIPATION TO UP	INERTIA/COUPLING Kg. m <sup>2</sup> x 10 <sup>-4</sup> [lb. in. s <sup>2</sup> x 10 <sup>-3</sup> ]	MAX RPM	MIN DISENGAGEMENT AIR PRESSURE	SHIPPING WEIGHT
MEB 13019	80	45 Nm	0,22	14,0 [12.4]	10000	5,5 bar	7 kg
MEB 13024	90L, 90S	45 Nm	0,22	14,0 [12.4]	10000	5,5 bar	7 kg
MEB 18028	100L, 112M	100 Nm	0,22	39,0 [34.5]	5000	4,4 bar	17 kg
MEB 23038	132M <sup>Ⓢ</sup>	125 Nm	0,22	44,0 [38.9]	5000	5,5 bar	23 kg

Ⓢ Consult factory for 11 kW applications.