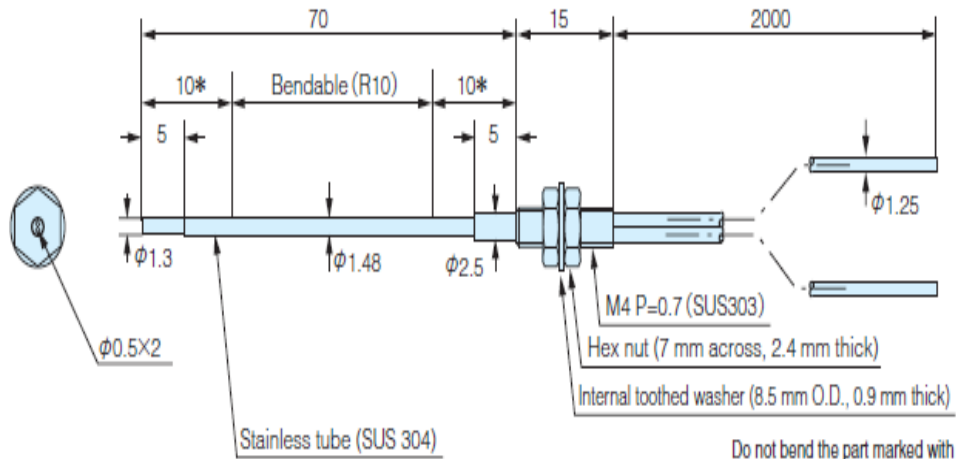


MODEL	FRS84BC	70 mm SS tube with M4 screw	Search ID No.	77
Detection method	Reflective			

CAD

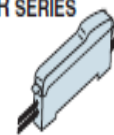


Do not bend the part marked with *.
The tightening torque for the threaded part should be up to 0.8 N·m.

Model	FRS84BC	
Fiber optic cable length(m)	2 (free-cutting)	
Ambient temperature	- 30 ~ + 70 °C	
Material	Covering	Polyethylene
	Core	Plastic
Diameter	Cable	1.25
	Core	0.5
Allowable bending radius	SUS part: R10 / Fiber optic cable: R15	
Standard detection object diameter	50 x 50mm white drawing paper (with F70R)	
Smallest allowable detection object diameter	φ0.015 (excluding F71R, F2R)	

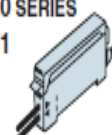
Applicable amplifier

F80R SERIES



F70 SERIES

F71



F2R SERIES



Detecting distances for individual amplifier models (mm)

F80R	Long-distance	90
	High-speed	50
F70R/AR		50
F71R		30
F2R		9