

BRITISH STANDARD

**BS EN
581-3:1999**

Outdoor furniture — Seating and tables for camping, domestic and contract use —

Part 3: Mechanical safety requirements and test methods for tables

The European Standard EN 581-3:1999 has the status of a
British Standard

ICS 97.140; 97.200.30

NO COPYING WITHOUT BSI PERMISSION EXCEPT AS PERMITTED BY COPYRIGHT LAW



National foreword

This British Standard is the English language version of EN 581-3:1999.

The UK participation in its preparation was entrusted to Technical Committee FW/2, Domestic and contract furniture, which has the responsibility to:

- aid enquirers to understand the text;
- present to the responsible European committee any enquiries on the interpretation, or proposals for change, and keep the UK interests informed;
- monitor related international and European developments and promulgate them in the UK.

A list of organizations represented on this committee can be obtained on request to its secretary.

Cross-references

The British Standards which implement international or European publications referred to in this document may be found in the BSI Standards Catalogue under the section entitled "International Standards Correspondence Index", or by using the "Find" facility of the BSI Standards Electronic Catalogue.

A British Standard does not purport to include all the necessary provisions of a contract. Users of British Standards are responsible for their correct application.

Compliance with a British Standard does not of itself confer immunity from legal obligations.

Summary of pages

This document comprises a front cover, an inside front cover, the EN title page, pages 2 to 15 and a back cover.

The BSI copyright notice displayed in this document indicates when the document was last issued.

This British Standard, having been prepared under the direction of the Consumer Products and Services Sector Committee, was published under the authority of the Standards Committee and comes into effect on 15 October 1999

© BSI 10-1999

ISBN 0 580 32658 6

Amendments issued since publication

Amd. No.	Date	Comments

EUROPEAN STANDARD**EN 581-3****NORME EUROPÉENNE****EUROPÄISCHE NORM****May 1999**

ICS 97.140; 97.200.30

English version

**Outdoor furniture — Seating and tables for camping, domestic and contract use —
Part 3: Mechanical safety requirements and test methods for tables**

Mobilier d'extérieur — Sièges et tables à usages
domestique, collectif et de camping — Partie 3:
Exigences et essais de sécurité mécanique des tables

Außenmöbel — Sitzmöbel und Tische für Camping-,
Wohn- und Objektbereich — Teil 3: Mechanische
Sicherheitsanforderungen und Prüfverfahren für
Tische

This European Standard was approved by CEN on 15 April 1999.

CEN members are bound to comply with the CEN/CENELEC Internal Regulations which stipulate the conditions for giving this European Standard the status of a national standard without any alteration. Up-to-date lists and bibliographical references concerning such national standards may be obtained on application to the Central Secretariat or to any CEN member.

This European Standard exists in three official versions (English, French, German). A version in any other language made by translation under the responsibility of a CEN member into its own language and notified to the Central Secretariat has the same status as the official versions.

CEN members are the national standards bodies of Austria, Belgium, Czech Republic, Denmark, Finland, France, Germany, Greece, Iceland, Ireland, Italy, Luxembourg, Netherlands, Norway, Portugal, Spain, Sweden, Switzerland and United Kingdom.

CEN

European Committee for Standardization
Comité Européen de Normalisation
Europäisches Komitee für Normung

Central Secretariat: rue de Stassart, 36 B-1050 Brussels

© 1999 CEN All rights of exploitation in any form and by any means reserved worldwide for CEN national Members. Ref. No. EN 581-3:1999 E

Page 2
EN 581-3:1999

Contents

	Page
Foreword	3
1 Scope	4
2 Definitions	4
3 General test conditions	4
4 Test equipment	5
5 Test methods and requirements	6
6 Test report	14
Annex A (informative) Behaviour of outdoor tables at high temperatures	15

Foreword

This European Standard has been prepared by Technical Committee CEN/TC 207, Furniture, the Secretariat of which is held by IBN.

This European Standard shall be given the status of a national standard, either by publication of an identical text or by endorsement, at the latest by November 1999, and conflicting national standards shall be withdrawn at the latest by November 1999.

This text is one part of a general standard concerning safety and performance requirements for outdoor seating and tables.

The work programme of CEN/TC 207/WG 4 includes the following items:

EN 581-1, *Outdoor furniture — Seating and tables for camping, domestic and contract use — Part 1: General safety requirements;*

ENV 581-2¹, *Outdoor furniture — Seating and tables for camping, domestic and contract use — Part 2: Mechanical safety requirements and test methods of seating;*

EN 581-4¹, *Outdoor furniture — Seating and tables for camping, domestic and contract use — Part 4: Physical characteristics — Durability;*

EN 581-5¹, *Outdoor furniture — Seating and tables for camping, domestic and contract use — Part 5: Requirements and test methods for surfaces;*

EN 581-6¹, *Outdoor furniture — Seating and tables for camping, domestic and contract use — Part 6: General characteristics.*

According to the CEN/CENELEC Internal Regulations, the national standards organizations of the following countries are bound to implement this European Standard: Austria, Belgium, Czech Republic, Denmark, Finland, France, Germany, Greece, Iceland, Ireland, Italy, Luxembourg, Netherlands, Norway, Portugal, Spain, Sweden, Switzerland and the United Kingdom.

¹ In preparation.

Page 4
EN 581-3:1999

1 Scope

This part of EN 581 specifies the mechanical safety requirements and test methods of outdoor tables for camping, domestic and contract use, for adults, except permanently fixed tables and street furniture, without regard to materials, design/construction or manufacturing processes.

This standard does not apply to outdoor furniture for severe contract use where higher requirements may be necessary.

It includes an informative annex A, giving a test which may be used to check the behaviour of outdoor tables at high temperatures.

2 Definitions

For the purposes of this European Standard, the following definitions apply.

2.1

outdoor furniture for contract use

outdoor furniture intended for non-private use in places with public access, like restaurants, open-air swimming pools, vocational and leisure sites. Due to this public use they are submitted to extreme stresses

2.2

outdoor furniture for domestic use

outdoor furniture intended for private use in places without public access like garden, wintergarden, terrace, balcony etc.

2.3

outdoor furniture for camping use

in accordance with the need for easy transportation, outdoor furniture for camping use is foldable or detachable and of light-weight design. It is intended for use in connection with camping and travelling

2.4

outdoor table

camping table

table with a fixed or extending top, removable feet or not, folded or not

2.5

coffee table

table with a height restricted to a fixed top, removable feet or not, folded or not

2.6

servicing trolley

mobile table with mobile or fixed tray(s) usually provided with handles and wheels

3 General test conditions

3.1 Preliminary preparation

Before any of the tests are commenced, the item shall be old enough to ensure that it has developed its full strength.

The test unit shall be tested as delivered. Knock-down furniture shall be assembled according to the instructions supplied with it. If the furniture can be assembled or combined in different ways, the most adverse combination shall be used for each test. Knock-down fittings shall be tightened before testing if applicable. Further tightening shall not take place unless this is specifically required by the manufacturer.

The test unit shall be stored in indoor ambient conditions for at least one week immediately prior to testing.

With the exception of tests described in annex A, the tests shall be carried out in normal indoor ambient conditions but, if during a test, the atmosphere temperature is outside the range 15 ° to 25 °, the maximum and/or minimum temperature shall be recorded in the report.

3.2 Tolerances

Unless otherwise stated:

- all forces shall have an accuracy of $\pm 5\%$ of the nominal force;
- all dimensions shall have an accuracy of ± 1 mm of the nominal dimension;
- all masses shall have an accuracy of $\pm 0,5\%$ of the nominal mass.

The tolerances for position of loading pads shall be ± 5 mm.

4 Test equipment

Unless otherwise stated, the tests may be applied by any suitable device because results are not dependent upon the apparatus.

The forces in fatigue and static tests shall be applied sufficiently slowly to ensure that dynamic effects are negligible. The forces in fatigue tests shall be applied sufficiently slowly to ensure that heating does not occur.

4.1 Floor surface

Horizontal, flat and rigid with a smooth surface.

4.2 Stops

To prevent the table from sliding but not from overturning not higher than 12 mm except in cases when the design of the table needs the use of higher stops. In which case, the minimum height to prevent the table item from sliding shall be used.

4.3 Vertical force application device

A device which can apply vertical forces and meets the requirements specified in the relevant test methods. The forces shall be applied evenly distributed to the product through a suitable flat face of 100 mm diameter having a front edge radius of 12 mm. The flat face is part of the force application device.

4.4 Steel test tube

For the test on tables which support parasols, 18 mm in diameter and 1,5 mm in thickness steel tube with a height so that the force can be applied at 2 200 mm height.

4.5 Horizontal force application device

A device which can apply horizontal forces and meets the requirements specified in the relevant test methods. The forces shall be applied evenly distributed to the product through a suitable flat face of 100 mm diameter having a front edge radius of 12 mm. The flat face is part of the force application device.

5 Test methods and requirements

In the case of designs not catered for in the test procedures, carry out the test as far as possible as described and state any deviations in the test report.

5.1 Sequence of testing

The tests shall be carried out on the same sample in the following order:

- stability, when a table is not likely to pass the test;
- strength;
- horizontal fatigue;
- strength;
- stability.

5.2 Stability

5.2.1 Purpose of the test

Determination of the ability of outdoor tables to withstand forces which can result in overturning.

5.2.2 Test procedure

Place the table on the floor surface (4.1), in a normal position of use.

Carry out the test at the most adverse position.

Apply, by means of the vertical force application device (4.3), a vertical force F_1 (5.2.3) (and not a mass) at 100 mm from the outer edge of the table top, under the following conditions depending on the different table-top shapes (see Figure 1):

- square or rectangular table: at A_1 on the longitudinal axis, and at A'_1 on the transversal axis;
- table with extensions: at A_2 on the longitudinal axis with the extension pulled out, and at A'_2 on the transversal axis;
- round table: at A_3 , the point judged as the most adverse condition.

The table shall not overturn when F_1 is applied.

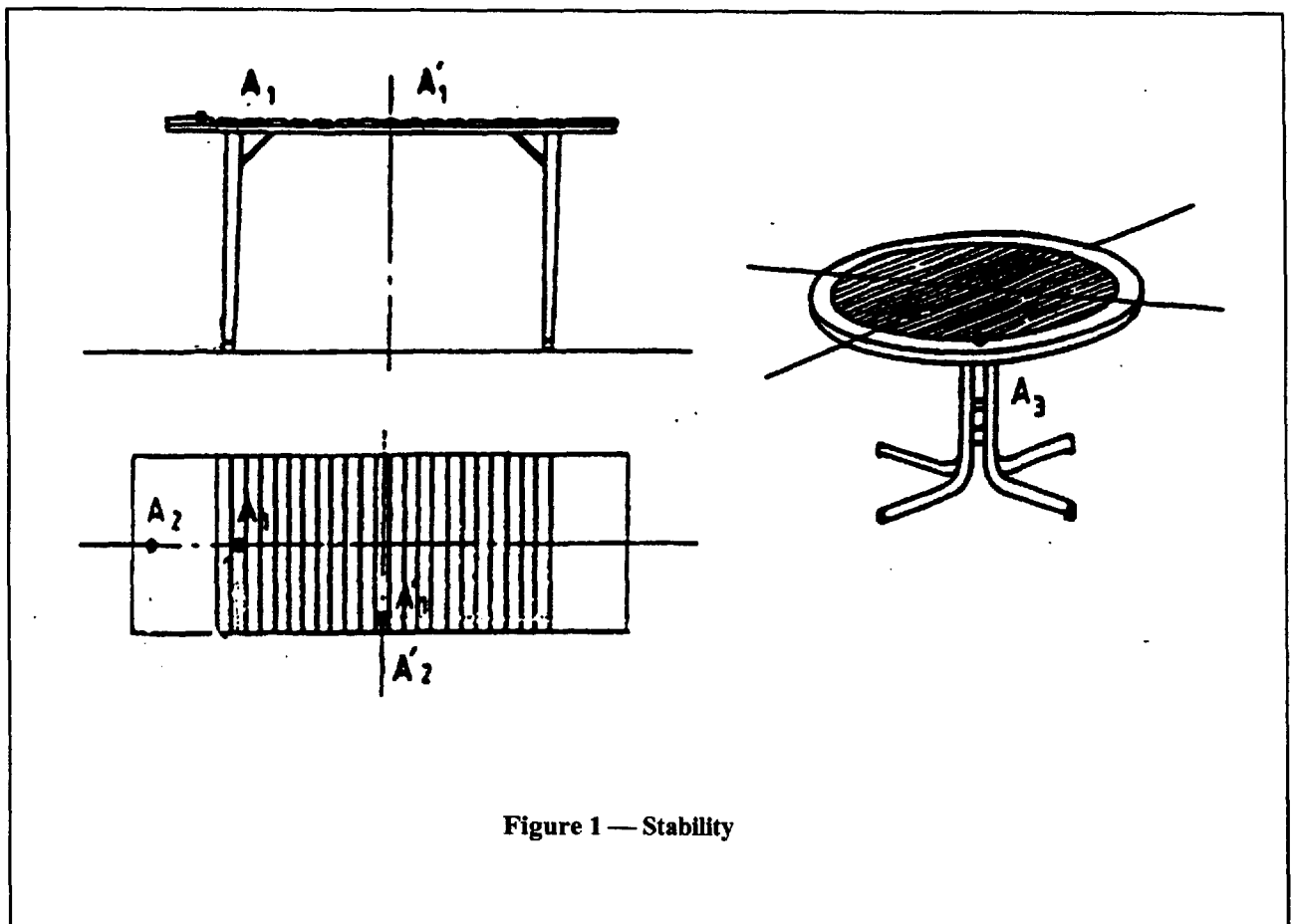


Figure 1 — Stability

Special case of tables where legs are used as a support of parasols (excluding parasols fitted with bases of their own)

Secure the test tube (4.4) in the table's fixture for holding parasols.

Apply a horizontal force of 30 N at a height of 2 200 mm (see Figure 2).

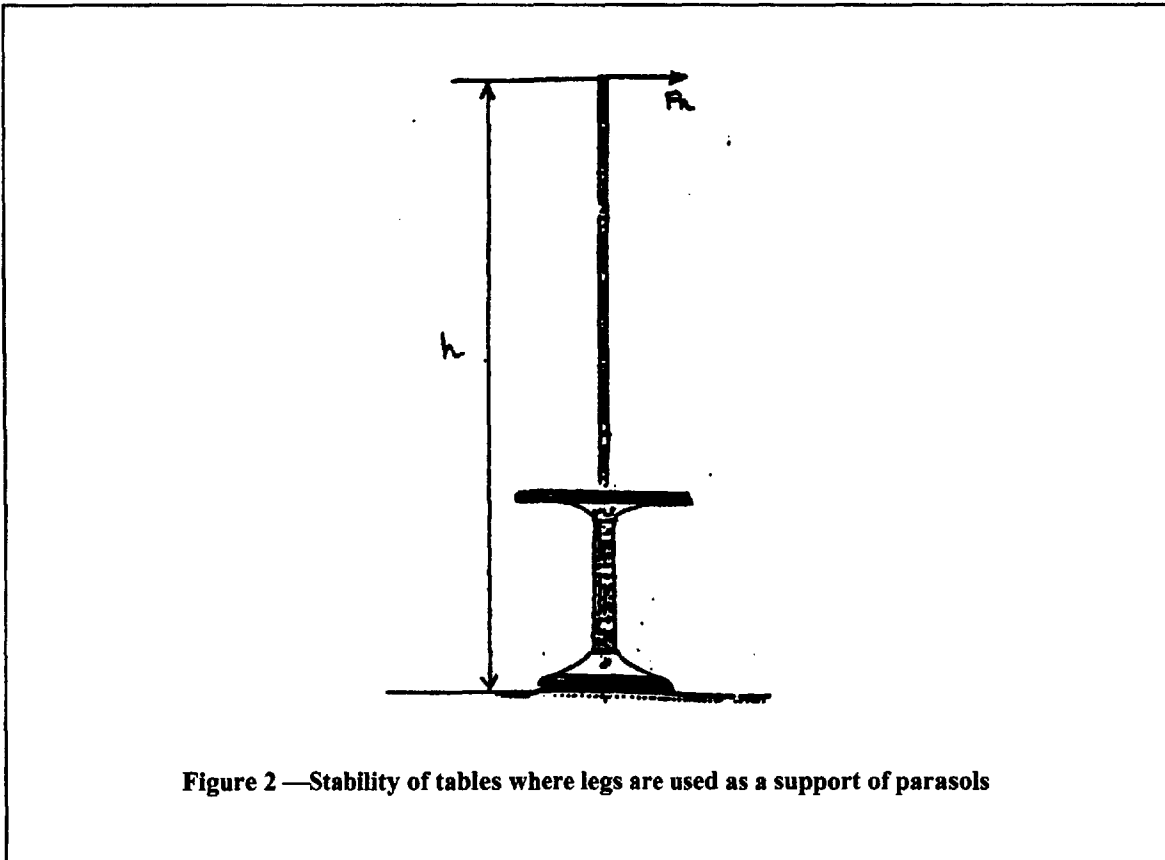
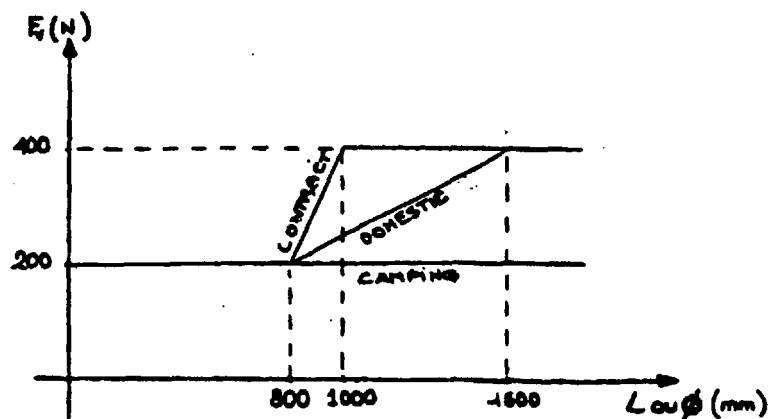


Figure 2 — Stability of tables where legs are used as a support of parasols

5.2.3 Safety requirements

The force F_1 is specified in relation with the biggest dimension of the table top (L or \varnothing) and its use according to the following diagram:



The table shall not overturn when tested.

5.3 Strength

5.3.1 Purpose of the test

Determination of strength of the worktop and of the structure of outdoor tables under occasional vertical loads of short duration.

5.3.2 Test procedure

5.3.2.1 Loading of table top

Place the table on the floor surface (4.1) in normal position of use.

Apply, by means of the vertical force application device (4.3):

- for a table-top length $L \leq 1\,600$ mm, a force F_2 (5.3.3) at the geometric centre of the table (see Figure 3);
- for a table-top length $L > 1\,600$ mm, two forces F_2 (5.3.3) on points placed on the longitudinal axis of the table top with a distance of 400 mm on either side of the transversal axis (see Figure 3).

Carry out 10 applications, 30 s each, with 5 s to 10 s between applications.

Dimensions in millimetres

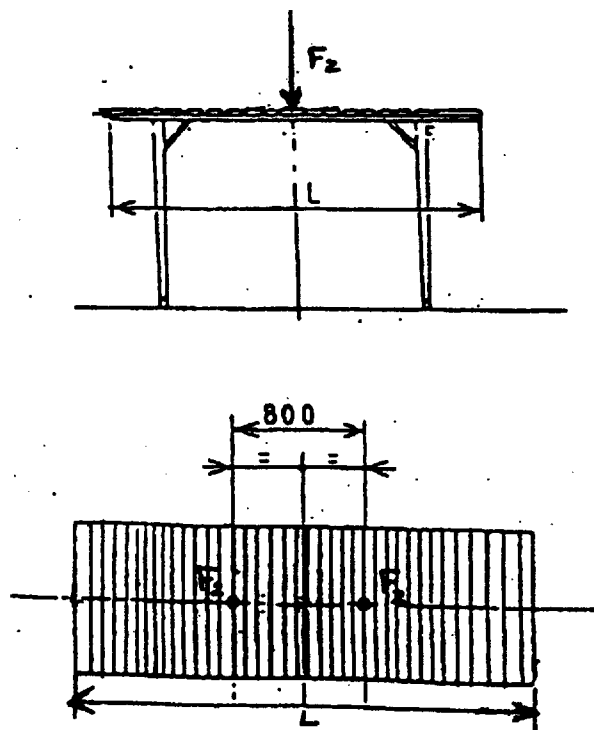


Figure 3 — Strength of table top

5.3.2.2 Loading of extensions

Load the table top with a mass evenly distributed, required to avoid any overturning during the application of the force subsequently.

With the end extensions extended, apply a force F_3 (5.3.3) on the outside edge at the middle of the width (see Figure 4).

In the case of central extensions, apply the force F_3 (5.3.3) at the most adverse position.

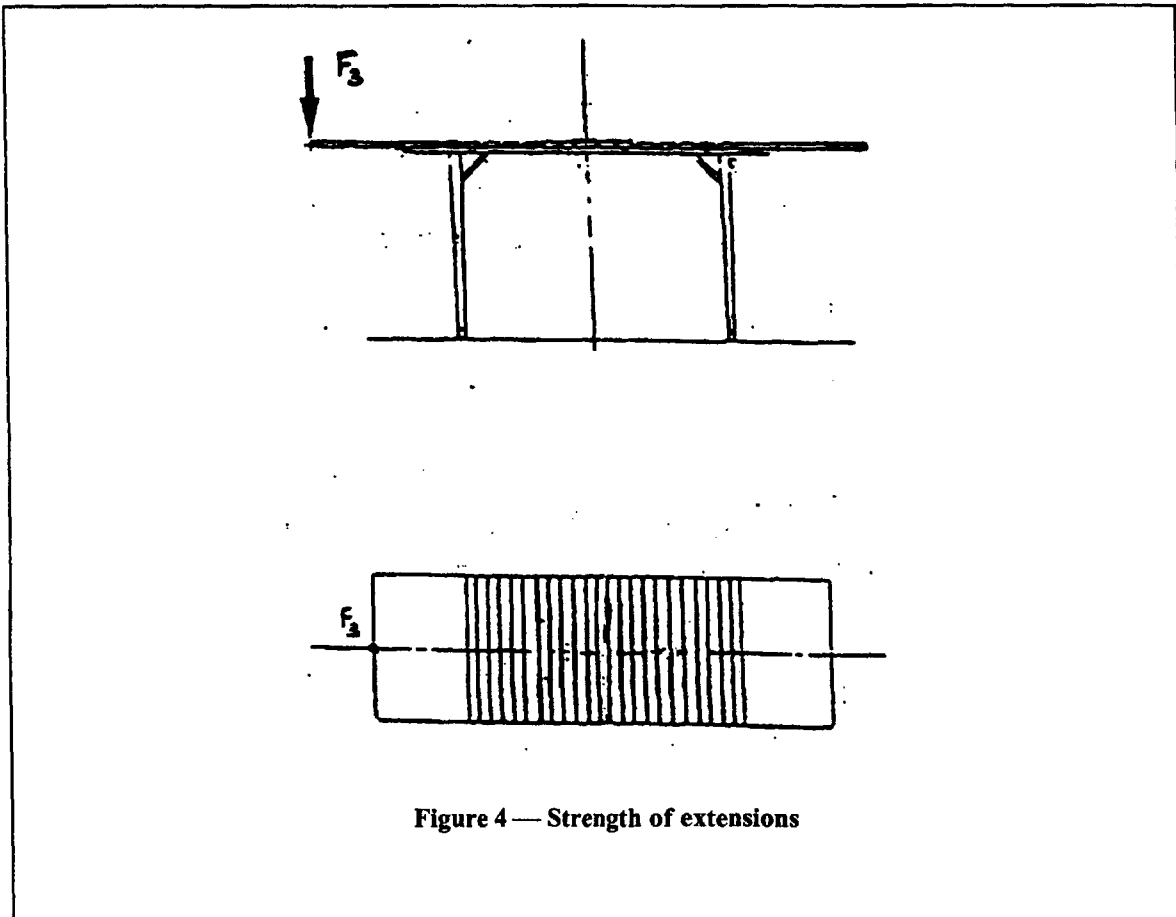


Figure 4 — Strength of extensions

5.3.3 Safety requirements

	Camping	Domestic	Contract
F_2	500 N	750 N	1 000 N
F_3	100 N	200 N	350 N

At the end of the test, there shall be no structural or other deterioration able to compromise safety, and the table shall still be able to fulfil its functions (folding, unfolding, adjustment, operation of extensions).

5.4 Horizontal fatigue test

5.4.1 Purpose of the test

Determination of durability of outdoor tables under small cyclic forces (careful movement for example), to ensure that, during use, they can absorb displacements without a significant deformation of the top, retaining an adequate level of safety.

5.4.2 Test procedure

Place the table on the floor surface in normal use position, with the feet placed against stops (4.2) as shown in Figure 5 to prevent sliding, but without preventing deformation.

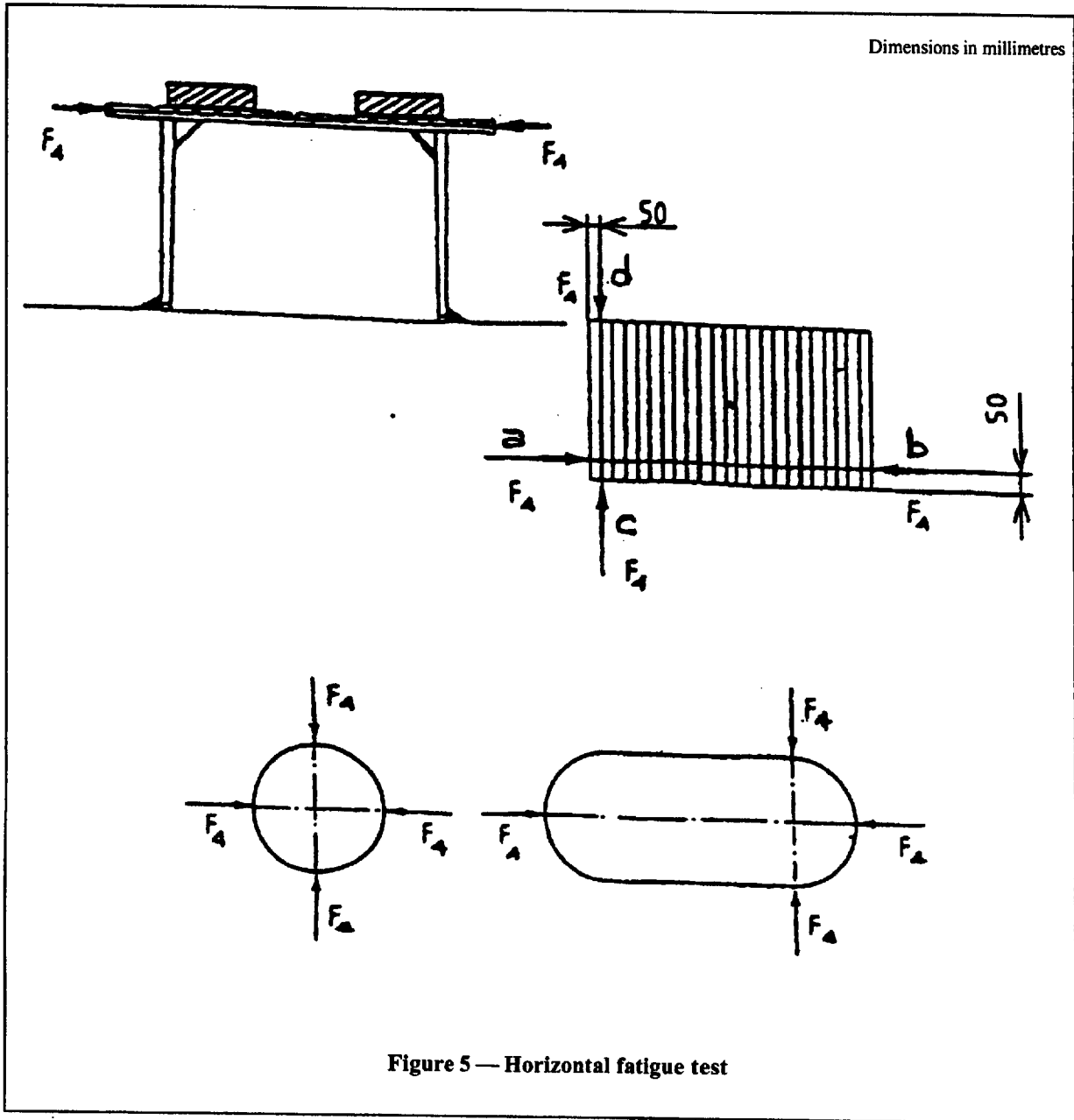
Load the table top, as close as possible to the legs, so that it remains horizontal under load, up to a maximum of 75 kg.

Alternately and successively apply, by means of the horizontal force application device (4.5), a force F_4 (5.4.3) in the order a, b, c, d horizontally and perpendicularly to the edge of the table top at 50 mm from its edge (or along two perpendicular axes for round and similar tables, and along the longitudinal axis at the junction of straight and curved parts for oblong tables) (see Figure 5).

Carry out n cycles (5.4.3), each cycle breaking down as follows: $F_4(a) + F_4(b) + F_4(c) + F_4(d)$ with a frequency of four cycles per minute.

NOTE This test can be carried out in two stages: n cycles in the longitudinal direction, then n cycles in the transverse direction.

In these conditions, the frequency shall be doubled.



5.4.3 Safety requirements

	Camping	Domestic	Contract
Force F_4	100 N	150 N	150 N
Number of cycles n	5 000	10 000	20 000

At the end of the test, there shall be no structural or other deterioration able to compromise safety, and the table shall still be able to fulfil its functions (folding, unfolding, adjustment, operation of extensions).

6 Test report

The test report shall include the following information:

- a) reference to this part of the European Standard;
- b) details of piece of furniture tested;
- c) manner of mounting if appropriate;
- d) any defects observed before testing;
- e) the test results according to the applicable clauses;
- f) details of any deviations from this part of the European Standard;
- g) the name and address of the test facility;
- h) the date of test.

Annex A (informative)

Behaviour of outdoor tables at high temperatures

A.1 General test conditions

Tables should be subjected to the high temperature tests specified in this annex if they have load bearing components made of plastic.

A load bearing component is a part which experiences a bending load when the test forces are applied.

A.2 Stability at high temperature

These tests are applicable to domestic and contract tables for outdoor use but not camping tables.

A.2.1 Test procedure

The test sample should be conditioned at the specified temperature for at least 6 h before testing and be kept at the required temperature throughout the duration of the test.

- Domestic tables should be tested at 40 °C.
- Contract tables should be tested at 50 °C.

Tests may be carried out at more extreme temperatures according to the marking or instructions put on by the supplier.

With the sample conditioned for temperature as specified above, carry out the test specified in 5.2, except that a sheet of 3 mm thick plywood 300 mm × 300 mm should be interposed between the loading pad and the table.

A.2.2 Requirements

At the end of the test, there should be no damage that affects function or safety, including stability.

BS EN
581-3:1999

BSI — British Standards Institution

BSI is the independent national body responsible for preparing British Standards. It presents the UK view on standards in Europe and at the international level. It is incorporated by Royal Charter.

Revisions

British Standards are updated by amendment or revision. Users of British Standards should make sure that they possess the latest amendments or editions.

It is the constant aim of BSI to improve the quality of our products and services. We would be grateful if anyone finding an inaccuracy or ambiguity while using this British Standard would inform the Secretary of the technical committee responsible, the identity of which can be found on the inside front cover. Tel: 020 8996 9000. Fax: 020 8996 7400.

BSI offers members an individual updating service called PLUS which ensures that subscribers automatically receive the latest editions of standards.

Buying standards

Orders for all BSI, international and foreign standards publications should be addressed to Customer Services. Tel: 020 8996 9001. Fax: 020 8996 7001.

In response to orders for international standards, it is BSI policy to supply the BSI implementation of those that have been published as British Standards, unless otherwise requested.

Information on standards

BSI provides a wide range of information on national, European and international standards through its Library and its Technical Help to Exporters Service. Various BSI electronic information services are also available which give details on all its products and services. Contact the Information Centre. Tel: 020 8996 7111. Fax: 020 8996 7048.

Subscribing members of BSI are kept up to date with standards developments and receive substantial discounts on the purchase price of standards. For details of these and other benefits contact Membership Administration. Tel: 020 8996 7002. Fax: 020 8996 7001.

Copyright

Copyright subsists in all BSI publications. BSI also holds the copyright, in the UK, of the publications of the international standardization bodies. Except as permitted under the Copyright, Designs and Patents Act 1988 no extract may be reproduced, stored in a retrieval system or transmitted in any form or by any means – electronic, photocopying, recording or otherwise – without prior written permission from BSI.

This does not preclude the free use, in the course of implementing the standard, of necessary details such as symbols, and size, type or grade designations. If these details are to be used for any other purpose than implementation then the prior written permission of BSI must be obtained.

If permission is granted, the terms may include royalty payments or a licensing agreement. Details and advice can be obtained from the Copyright Manager. Tel: 020 8996 7070.

BSI
389 Chiswick High Road
London
W4 4AL