



- **GigE Vision camera**
- **11 megapixel CCD sensor**
- **5 fps at full resolution**
- **Excellent sensitivity**
- **Compact and robust**
- **JPEG Compression**

Outline

Lumenera's new Lg11059 CCD GigE Vision megapixel cameras are designed for use in a wide variety of industrial and scientific applications, particularly those with low-light conditions where high dynamic range is required, and/or those with tight space constraints.

Measuring 3" x 3" x 4.48", these compact cameras are GigE Vision Interface Compliant, and deliver outstanding image quality and value. Features include a Hirose HR10A-10R-12PB GPI/O connector, multiple mounting points, 5 fps at full 4008 x 2672 resolution, and on-board processing.

Electronic global shutter provides capabilities similar to a mechanical shutter, allowing simultaneous integration of the entire pixel array – ideal for capturing objects in high-speed motion and strobe lighting.

Uncompressed images in live streaming video and still image capture are provided across the GigE Vision digital interface. No framegrabber is required. Advanced camera control is available through a complete Software Developer's Kit (SDK), with sample code available to quickly integrate camera functions into OEM applications. Hardware and software based synchronization trigger is provided standard.

All Lumenera products are supported by an experienced team of software developers and application engineers. We understand your imaging needs and are here to help you with your integration and development.

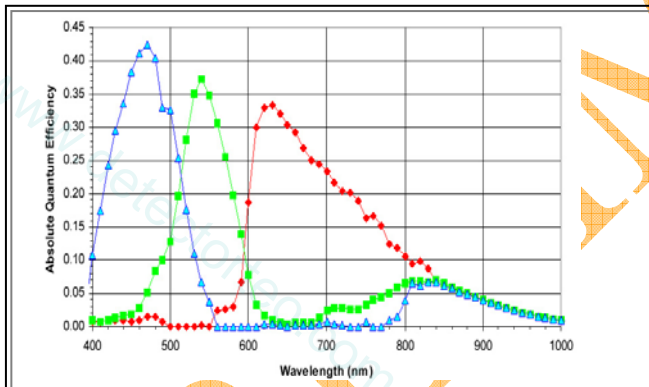
Performance Features

- Form factor measuring 3" x 3" x 4.48"**
- Highest quality CCD sensor with electronic global shutter**
- Large dynamic range**
- Excellent tap matching**
- Excellent sensitivity with high fidelity color reproduction**
- Canon bayonet-style mount provided that allows for auto focus and auto iris control (with compatible Canon lenses)**
- GigE Vision compatible**
- Hirose HR10A-10R-12PB GPI/O connector for control of peripherals and synchronization of lighting (4in / 2out)**
- 5 fps at full 4008x2672 resolution**
- Configurable JPEG compression ratio**
- Simplified cabling – video, power and full camera control over a single cable**
- Binning and Region of Interest (ROI) options improve sensitivity and provide higher frame rates**
- Selectable 8 or 12-bit pixel data**
- 8 mounting points**
- FCC Class B, CE Certified**
- Fully featured Windows API interface for ease of application development that is compatible with Lumenera's USB 2.0 cameras**
- Complete GigE Vision SDK available**
- Full one (1) year warranty**

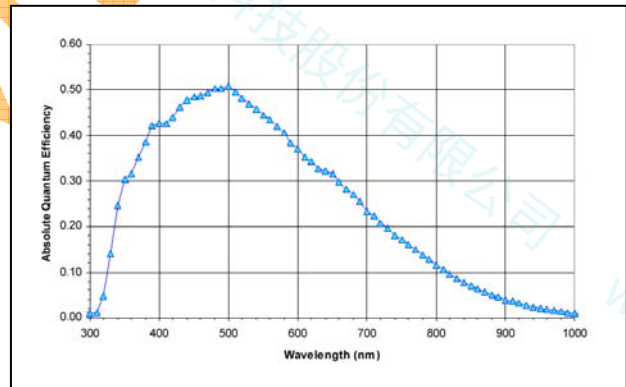
Specifications

Lg11059

Image Sensor	43.3mm (diagonal), color or mono, 36.1mm x 24.0mm array
Effective Pixels	4008x2672, 9.0µm square pixels
Frame Rate	5 fps at full resolution
Sensitivity	Excellent
Dynamic Range	65dB
Exposure	Auto / Manual
White Balance	Auto / Manual
Dimensions (W x H x D)	3"x3"x4.48" (76.2mm x 76.2mm x 114mm)
Mass	~850 grams
Power Requirement	12 Volts
Power Consumption	~18.7 Watts
Operating Temperature	0°C to +50°C
Operating Humidity	5% - 95%, Non-condensing
Interface Connector	GigE & Hirose HR10A-10R-12PB GPIO connector
Lens Mount (Lens not included)	Canon-mount provided



Color Response Curve



Monochrome Response Curve

Full customization available to meet your exact needs!

Available Options:

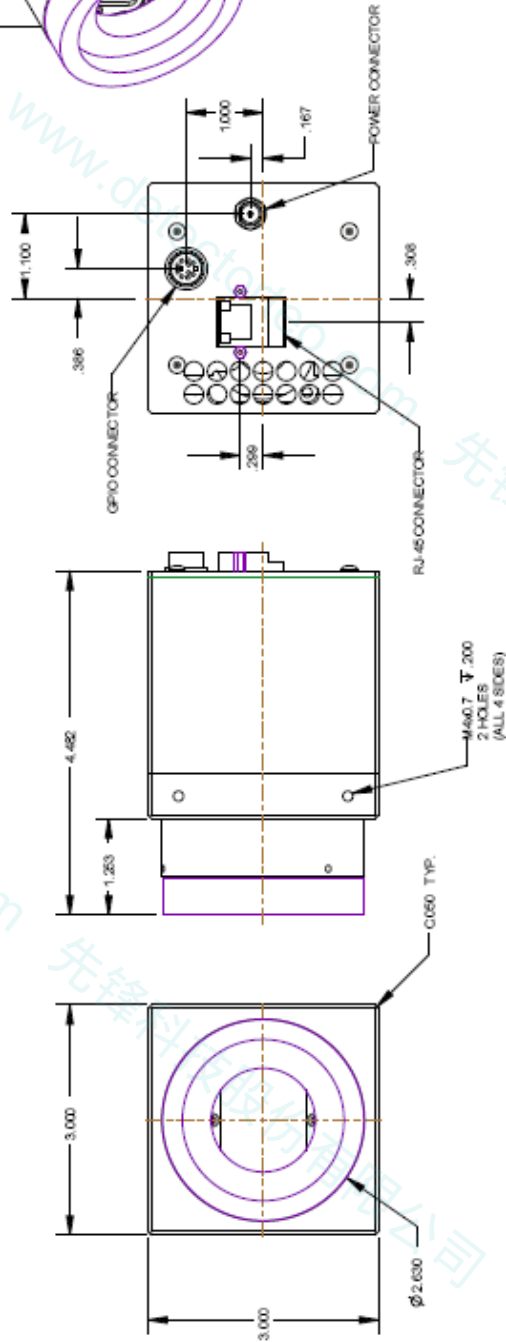
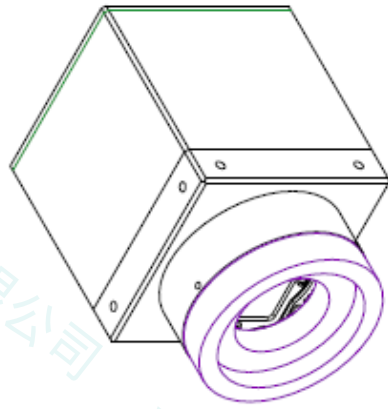
- Without sensor cover glass
- Board Level/Enclosed
- Custom enclosures
- Class 1, Class 0 sensors
- Sensors without Microlens

Contact us for more specific details.

Ordering Information

- Lg11059C – GigE Vision 11 Megapixel Enclosed Color Camera
- Lg11059M – GigE Vision 11 Megapixel Enclosed Monochrome Camera
- GigE Camera SDK – Software Developer's Kit
- Lu905 – Tripod Mount

Mechanical Drawings



Lg11059 CAMERA