

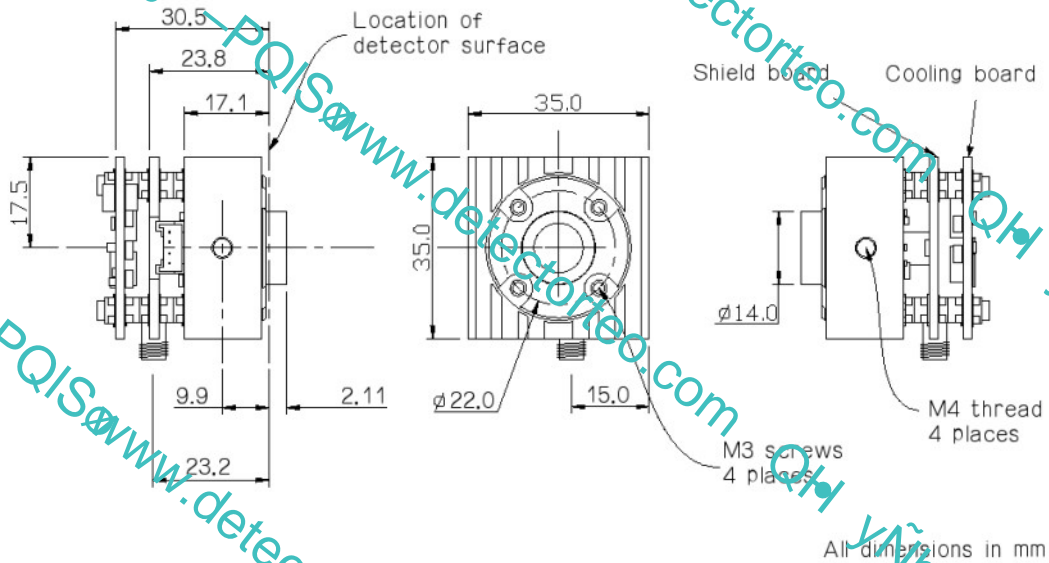








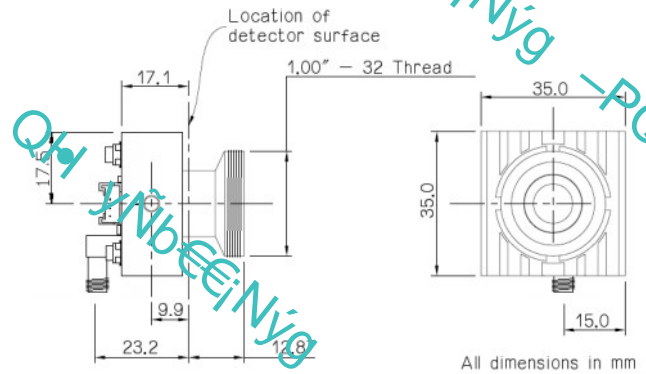
## Mechanical Information



## SPMMini Product Options

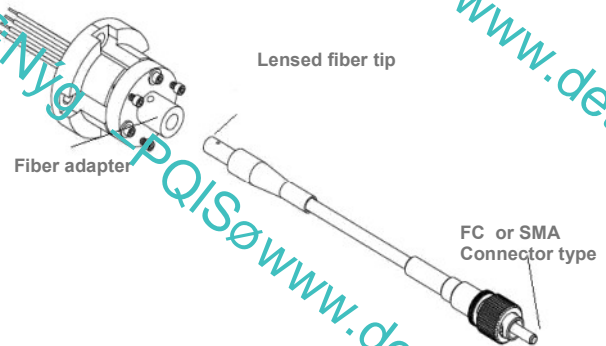
### C Mount Adapter

A C Mount Adapter option is available that attaches to the collar around the TO8 can and facilitates the attachment of various standard C Mount fittings, including filters and lenses. This is an ideal solution for attaching light collection lenses.



### Fiber Coupler

SensL offers the following pigtail lens style photodiode to multimode (MM) fiber coupler to couple light signals from a source via MM glass fiber to SPMMini1020X08A1 and SPMMini1035X08A1 modules. A universal receptacle is mounted onto the collar of the SPM module which allows different fiber types and specifications depending on the application requirements. The standard option at present uses a 400µm glass core with SMA or FC connector. The fiber output facet to the detector is tipped with a focusing lens for optimal coupling onto detector. This approach offers a "plug and play" solution for any fiber type, which can be specified when placing your order. Details of current fiber specifications are available on the SensL website under Product Options.



Rev. Jan 2010