

## V5211S THREADED END CONNECTION HIGH CLOSE-OFF PRESSURE RATING LINEAR VALVE

### SPECIFICATION DATA



### Features

- Stainless Steel body with BSPT-threaded connections.
- High close-off pressure rating, couple with 600Nm actuator (ML6420/ML7420).
- Low seat leakage rate ( $\leq 0.05$  percent of  $K_{vs}$ ).
- Spring-loaded, self-adjusting packing.
- Accurate positioning to ensure state of the art temperature control.
- Sizes range from DN65 to DN80

### Specifications

Action:	Stem down to close
Nominal pressure rating:	PN16
Flow characteristic:	See Fig. 2 Equal percentage
Rangeability:	50:1
Leakage rate:	$\leq 0.05\%$ of $k_{vs}$
Stroke:	20 mm
Valve body:	
Pipe connections:	Internal BSPT-threaded
Material:	Stainless Steel SUS304
Dimensions:	See Fig. 1
Trim:	
Seat:	Stainless Steel SUS304
Plug:	Bronze
Stem:	Stainless steel
Packing:	Spring loaded PTFE V-rings
Medium temperature and pressure:	2 to 120 °C max. 1495 kPa
Water & Steam	120 to 180 °C max. 1100 kPa

### Application

Single seated control or shutoff valve for:

- Hot water
- Chilled water
- Domestic Hot Water
- Steam

in Heating, Ventilating, Air Conditioning Systems,  
Open Circuits

To be operated by

- electric linear actuators  
as  
ML 6420 / 25  
ML 7420 / 25  
M 6421  
M 7421

### Sizes and flow capacities

Order Number	Application	Valve size	K <sub>Vs</sub>
V5211S1029	Water	DN65	54.0
V5211S2027	Steam		
V5211S1037	Water	DN80	85.7
V5211S2035	Steam		

### Close-off Pressure Ratings in kPa

#### Electric Actuators

Actuator		Valve size	
Type	Force	DN65	DN80
ML6420 / ML6425	600Nm	1000	1000
ML7420 / ML7425			

### Installation

Water should meet VDI2035 requirements.

Do not install valve with stem below the horizontal.

Fluid flow must correspond with the arrow direction on the valve body.

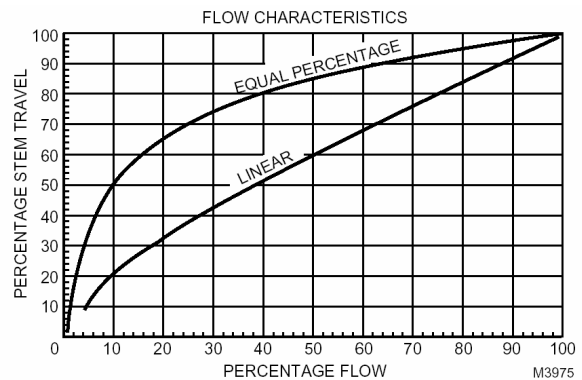
The installation of a strainer is strongly recommended.

### Spare Parts

Repair packing kit

14003295-004-2

Fig. 2



### Dimension (in in.)

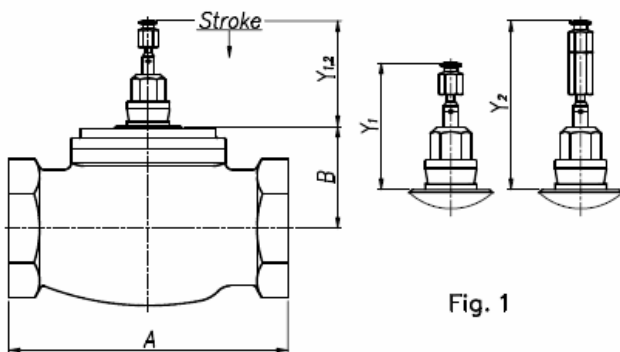


Fig. 1

Valve Size	A	B	Y <sub>1</sub>	Y <sub>2</sub> *
			Stem down	
DN65	7-1/2	2-3/4	3-1/2	5-1/4
DN80	8-7/8	3-3/16		

**Honeywell**

#### Automation and Control Solutions

Honeywell Taiwan Ltd.  
 10F, 168 Lien Cheng Road  
 Chung Ho City, Taipei County, Taiwan  
 Phone: +886-2-2245 1000  
 Fax: +886-2-2245 3241

Subject to change without notice. Printed in Taiwan