

ABSOLUTE PRESSURE SENSOR WITH COMPENSATED ANALOGUE OUTPUT: SPD015AAsil

This Smartec pressure sensor has an amplified analogue output. Via internal settings the sensor is compensated for offset, sensitivity, temperature drift and nonlinearity. The sensor has a range of 15 PSI(102 kPa) absolute and the output is ratiometric to the power supply voltage.

No picture available

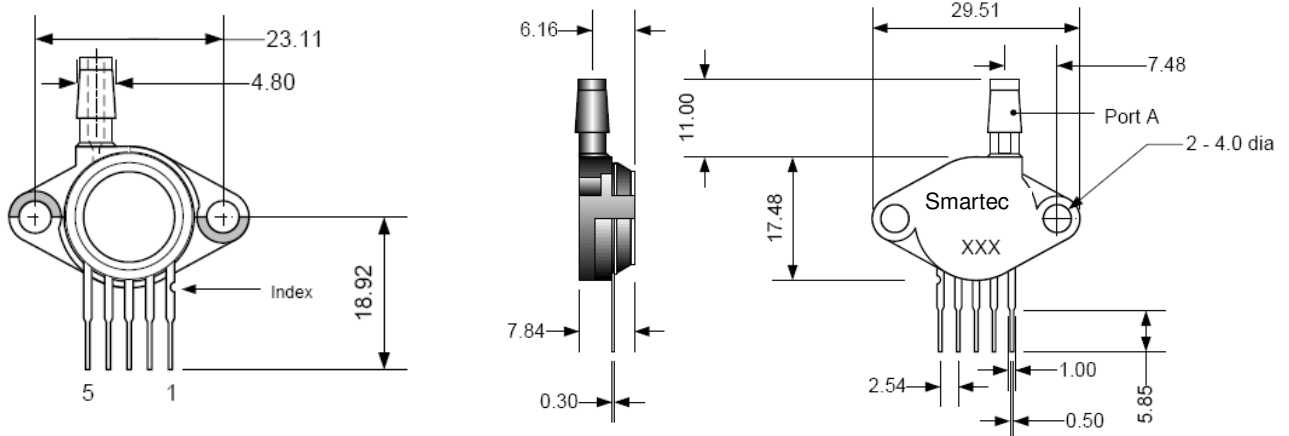
Electrical Characteristics

Performance Characteristic @ Vcc = 5V and @ 25 °C

Parameter	Min	Typ	Max	Units.
Supply Voltage	4.75	5.00	5.25	V
Supply Current	-		2.0	mA
Pressure range (fs)	15		102	kPa
Zero Output (Dif)	0,2	0,25	0,32	Vdc
Output source current			2,2	mA
Accuracy (0 – 85 °C)			±1,8	%FS
Response time		25		ms
Pressure overload			400	kPa
Temp compensation	0		85	°C
Operating Temp range	-40		125	°C
Storage temperature	-40		125	°C

- Output is ratiometric to Vcc
- Zero output is @ the minimum rated pressure

Dimension



Use of N.C. pins will cause malfunction
 Connect between Vss and Vdd a capacitor of 100 nF

Pin	Description
1	NC
2	Vdd
3	Output
4	Vss
5	NC