



WALRUS

MULTISTAGE CENTRIFUGAL PUMP

Immersible Pumps

TPK 2T/4T 50Hz/60Hz



WALRUS PUMP CO., LTD.

ISO 9001 Certified





Applications

The WALRUS TPK Series is vertical multistage centrifugal pump, designed for industrial use, specially for machine tools, to carry fluids such as water, coolant, light oil and other clean, non aggressive matters.

- Industrial circulation system
- Washing/cleaning system
- Filtration system

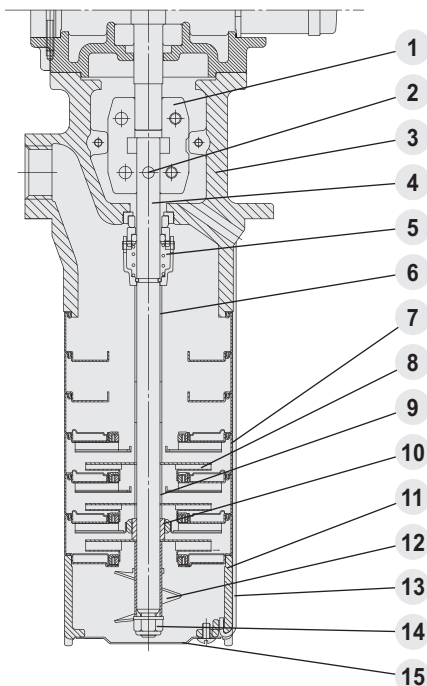
Motor

Nominal speed : 3500 / 2900 rpm (CCW, on fan side)
 Frequency range : 60 / 50 Hz
 Standard voltages : 3Ø 220 / 380V
 Enclosure class : IP54
 Insulation class : F.

Operation conditions

Ambient temperature : Max. +50°C
 Liquid temperature range : +0°C~+90°C
 Operating pressure : Max. 10 kg/cm²
 Submerged depth : Min. 60mm

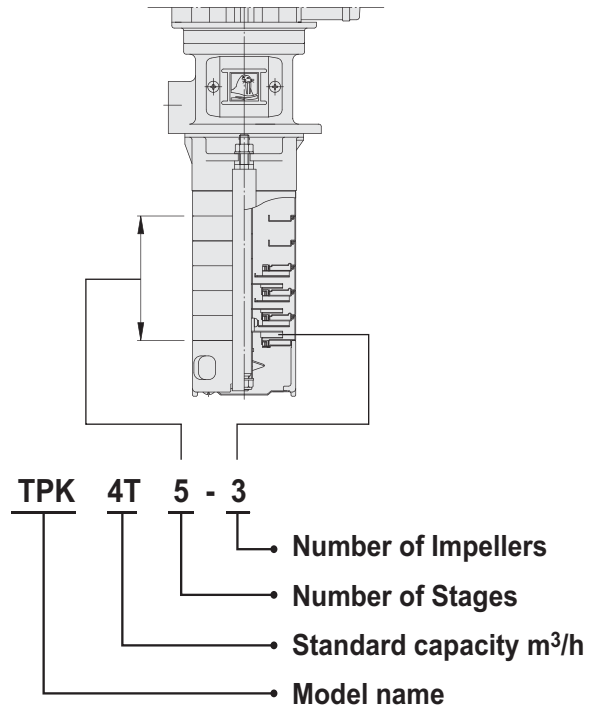
Sectional drawing



Pump construction

Submersible vertical multistage centrifugal pump, self-priming, stub pump shaft per coupling connect with motor. Main working parts made by stainless steel.

Model code

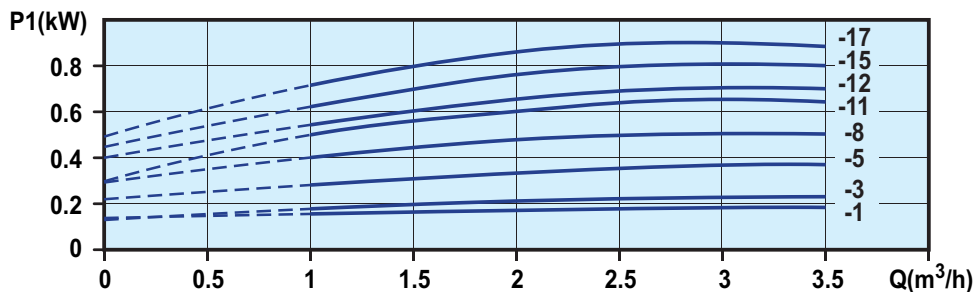
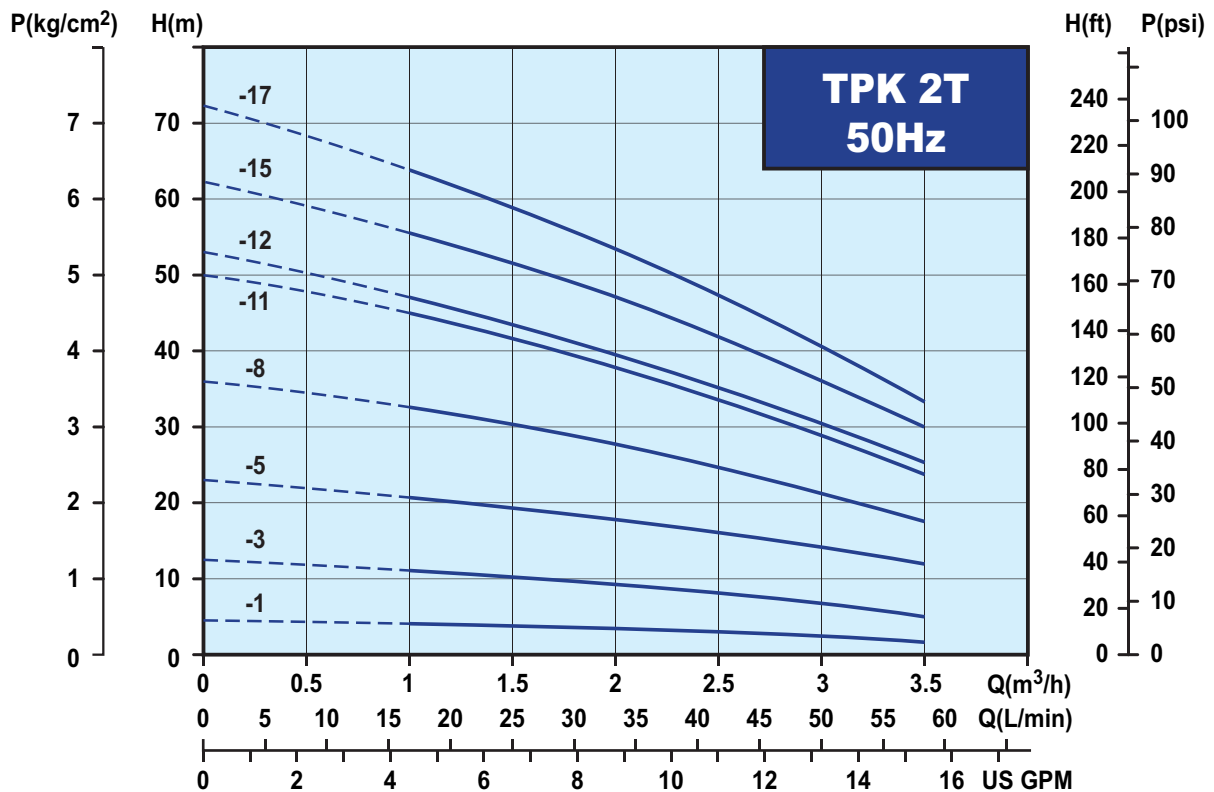


Materials

| No. | Part name | Material |
|-----|------------------------|--------------------------|
| 1 | Coupling | SUS 304 |
| 2 | Shaft pin | SUS 304 |
| 3 | Pump head | FCD 45 |
| 4 | Shaft | SUS 304 |
| 5 | Mechanical Seal | Tungsten Carbide + Viton |
| 6 | Sleeve | SUS 304 |
| 7 | Intermediate chamber | SUS 304 |
| 8 | Impeller | SUS 304 |
| 9 | Sleeve (impeller) | SUS 304 |
| 10 | Bearing ring | Tungsten Carbide |
| 11 | Suction interconnector | SUS 304 |
| 12 | Priming screw | SUS 304 |
| 13 | Strap | SUS 304 |
| 14 | Lock Nut | SUS 316 |
| 15 | Filter | SUS 304 |



Performance curves



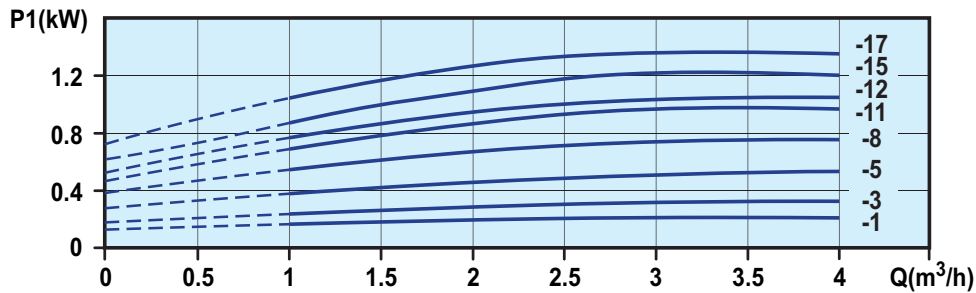
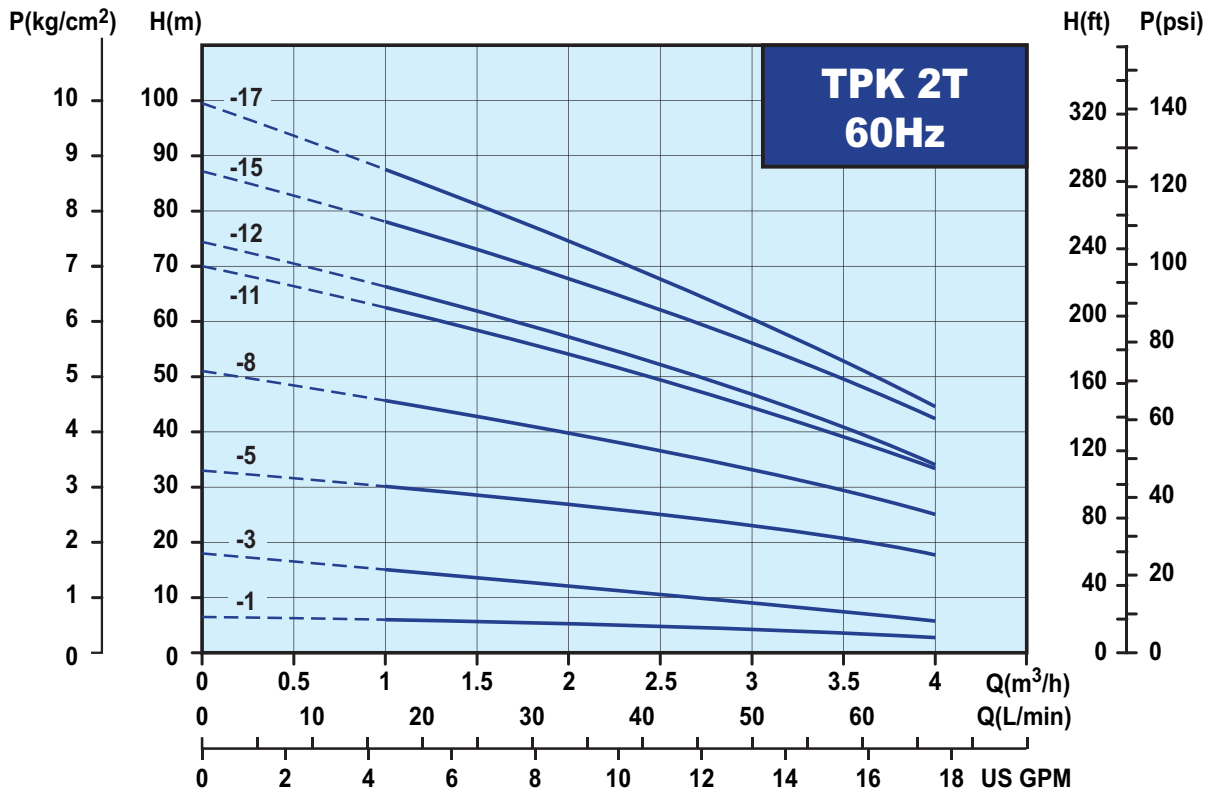
Electrical data, 3Ø 50Hz , 2900rpm

| Model | Volts (V) | Input Power (W) | Input Ampere (A) |
|---------------|-------------------|-----------------|-------------------|
| TPK 2T ** - 1 | 200-255 / 380-440 | 220 | 0.9 / 0.6 |
| TPK 2T ** - 3 | 200-255 / 380-440 | 470 | 0.9 / 0.7-0.6 |
| TPK 2T ** - 5 | 200-255 / 380-440 | 450 | 1.9-2.9 / 1.2-1.5 |
| TPK 2T ** - 8 | 200-255 / 380-440 | 580 | 2.2-2.9 / 1.3-1.7 |
| TPK 2T ** -11 | 200-255 / 380-440 | 700 | 3.2 / 1.8 |
| TPK 2T ** -12 | 200-255 / 380-440 | 780 | 3.5 / 1.9 |
| TPK 2T ** -15 | 200-255 / 380-440 | 850 | 3.4 / 2.1 |
| TPK 2T ** -17 | 220 / 380 | 950 | 3.3 / 1.9 |

** = Number of Stages, maximum 19 stages.



Performance curves



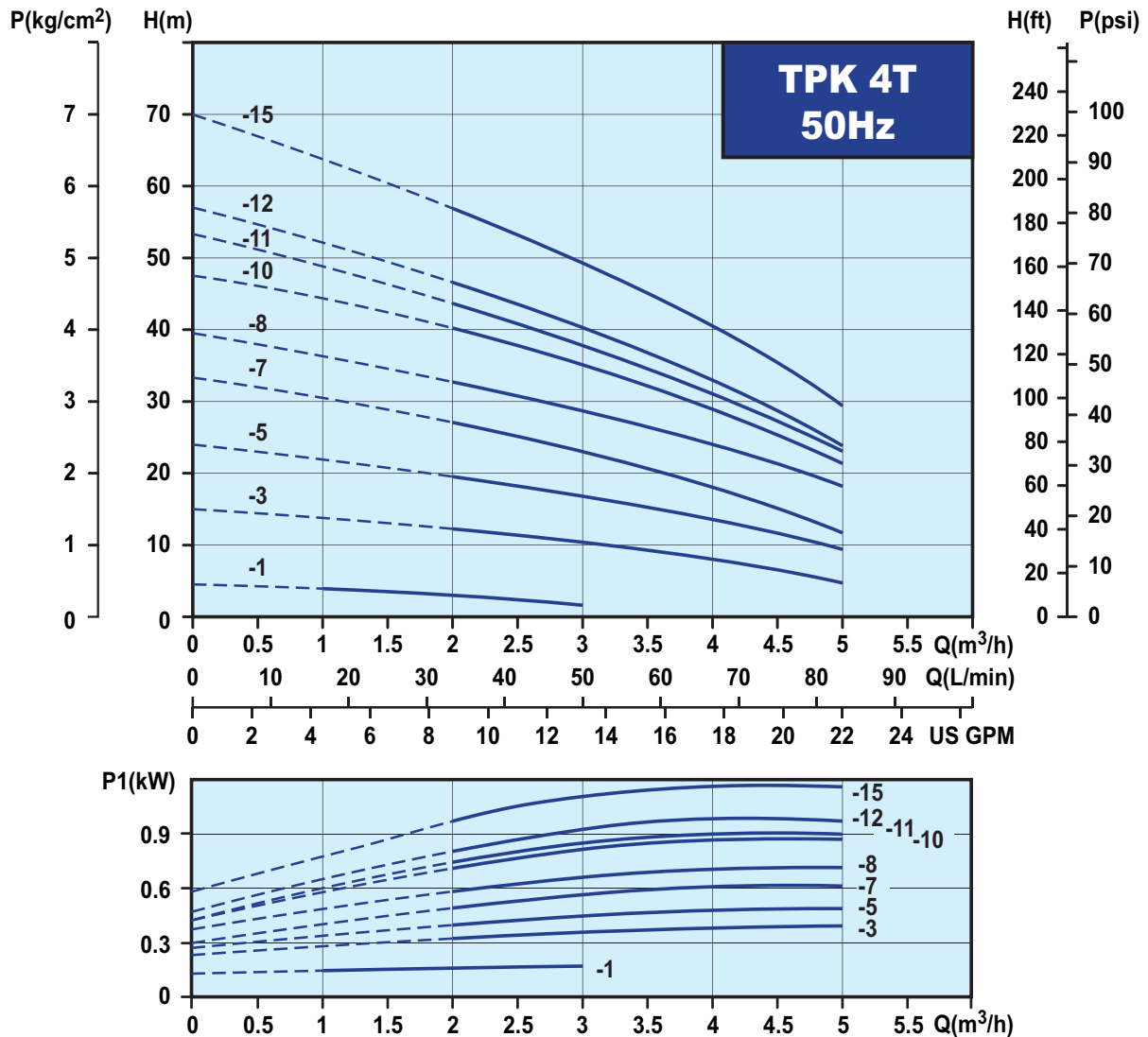
Electrical data, 3Ø 60Hz, 3500rpm

| Model | Volts (V) | Input Power (W) | Input Ampere (A) |
|---------------|-------------------|-----------------|-------------------|
| TPK 2T ** - 1 | 200-255 / 380-480 | 280 | 0.9 / 0.6 |
| TPK 2T ** - 3 | 200-255 / 380-480 | 340 | 1.1 / 0.7-0.6 |
| TPK 2T ** - 5 | 200-255 / 380-480 | 600 | 2.2-2.2 / 1.5-1.5 |
| TPK 2T ** - 8 | 200-255 / 380-480 | 820 | 2.7-2.7 / 1.6-1.6 |
| TPK 2T ** -11 | 200-255 / 380-480 | 1050 | 3.5 / 1.9 |
| TPK 2T ** -12 | 200-255 / 380-480 | 1160 | 3.6 / 2.0 |
| TPK 2T ** -15 | 200-255 / 380-480 | 1220 | 3.9 / 2.3 |
| TPK 2T ** -17 | 220 / 380 | 1400 | 4.4 / 2.6 |

** = Number of Stages, maximum 19 stages.



Performance curves



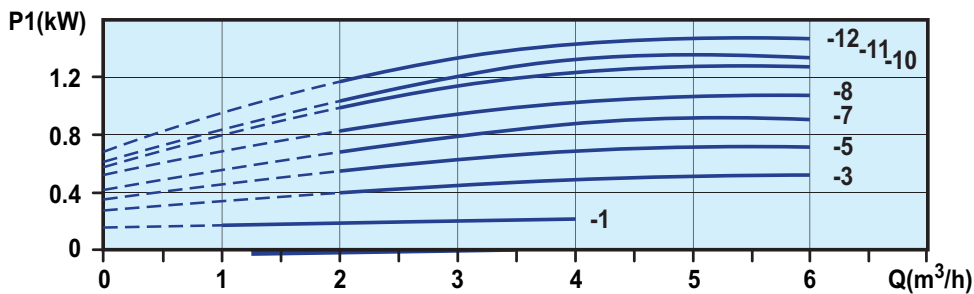
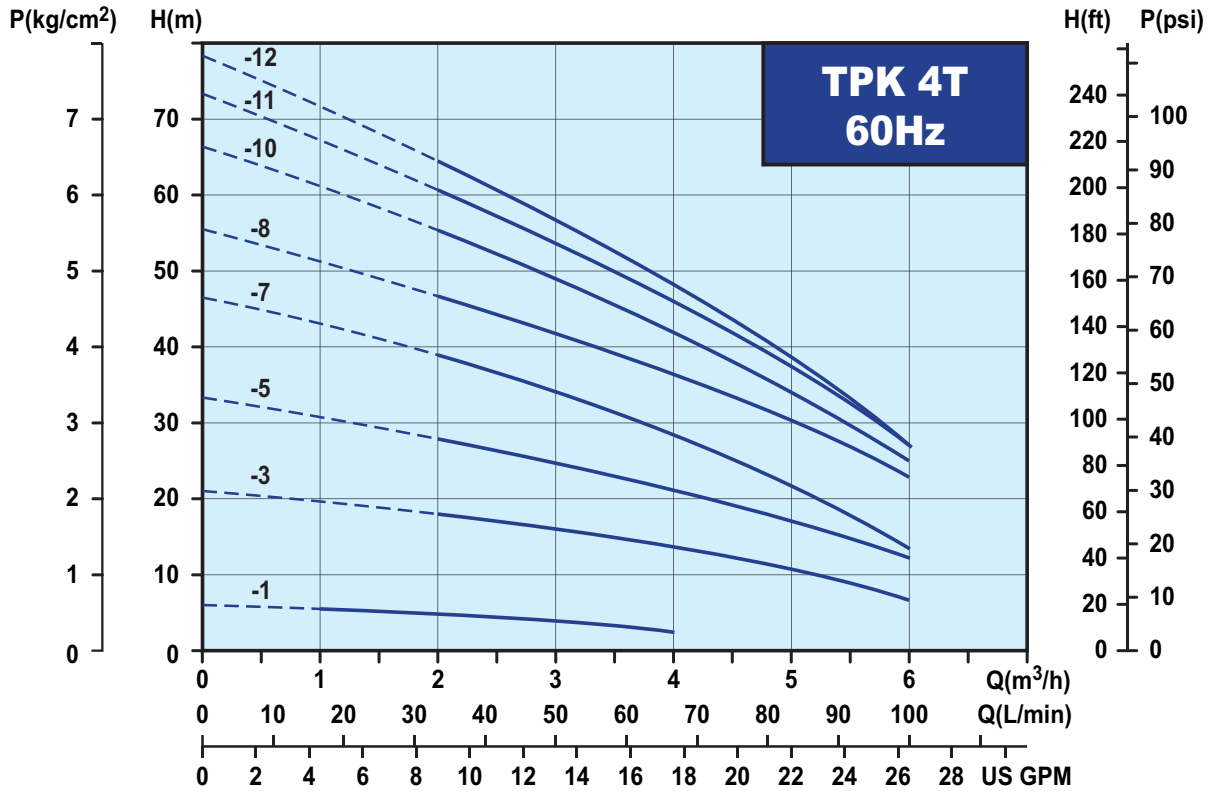
Electrical data, 3Ø 50Hz , 2900rpm

| Model | Volts (V) | Input Power (W) | Input Ampere (A) |
|---------------|-------------------|-----------------|-------------------|
| TPK 4T ** - 1 | 200-255 / 380-440 | 180 | 0.9 / 0.65 |
| TPK 4T ** - 3 | 200-255 / 380-440 | 410 | 1.8-2.8 / 1.2-1.4 |
| TPK 4T ** - 5 | 200-255 / 380-440 | 580 | 2.2-2.9 / 1.3-1.7 |
| TPK 4T ** - 7 | 200-255 / 380-440 | 680 | 3.2 / 1.8 |
| TPK 4T ** - 8 | 200-255 / 380-440 | 750 | 3.5 / 1.9 |
| TPK 4T ** -10 | 200-255 / 380-440 | 900 | 4.7 / 2.6 |
| TPK 4T ** -11 | 220 / 380 | 950 | 3.6 / 2.1 |
| TPK 4T ** -12 | 220 / 380 | 1050 | 3.6 / 2.1 |
| TPK 4T ** -15 | 200-240 / 380-440 | 1300 | 4.4 / 2.8 |

** = Number of Stages, maximum 19 stages.



Performance curves



Electrical data, 3Ø 60Hz, 3500rpm

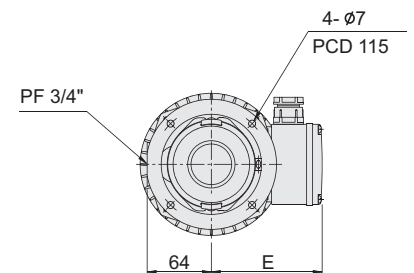
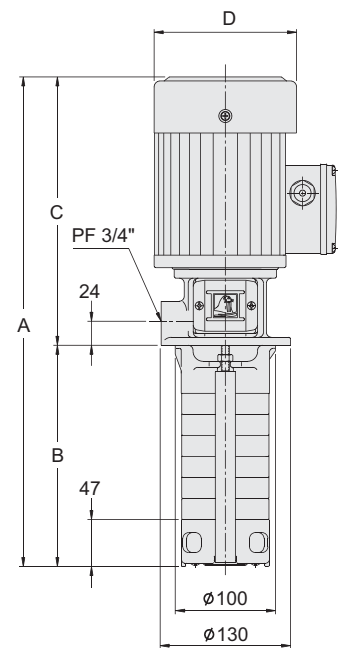
| Model | Volts (V) | Input Power (W) | Input Ampere (A) |
|---------------|-------------------|-----------------|-------------------|
| TPK 4T ** - 1 | 200-255 / 380-480 | 260 | 0.8 / 0.5 |
| TPK 4T ** - 3 | 200-255 / 380-480 | 540 | 2.0-2.2 / 1.2-1.2 |
| TPK 4T ** - 5 | 200-255 / 380-480 | 820 | 2.7-2.7 / 1.6-1.6 |
| TPK 4T ** - 7 | 200-255 / 380-480 | 1000 | 3.4 / 1.9 |
| TPK 4T ** - 8 | 200-255 / 380-480 | 1110 | 3.6 / 2.0 |
| TPK 4T ** -10 | 200-255 / 380-480 | 1350 | 4.7 / 2.6 |
| TPK 4T ** -11 | 220 / 380 | 1400 | 4.4 / 2.6 |
| TPK 4T ** -12 | 220 / 380 | 1580 | 5.0 / 2.9 |

** = Number of Stages, maximum 19 stages.



Dimensions and weights

| Model | A (mm) | B (mm) | C (mm) | D (mm) | E (mm) | N.W.(kg) |
|---------------------|--------|--------|--------|--------|--------|----------|
| TPK2T 5 - 1 | 480 | 222 | 258 | 123 | 99 | 8.7 |
| TPK2T 3 - 3 | 438 | 180 | 258 | 123 | 99 | 8.7 |
| TPK2T 5 - 3 | 480 | 222 | 258 | 123 | 99 | 8.9 |
| TPK2T 8 - 3 | 543 | 285 | 258 | 123 | 99 | 9.2 |
| TPK2T 11- 3 | 606 | 348 | 258 | 123 | 99 | 9.6 |
| TPK2T 5 - 5 | 490 | 222 | 268 | 142 | 111 | 12.1 |
| TPK2T 8 - 5 | 553 | 285 | 268 | 142 | 111 | 12.4 |
| TPK2T 10- 5 | 595 | 327 | 268 | 142 | 111 | 12.6 |
| TPK2T 11- 5 | 616 | 348 | 268 | 142 | 111 | 12.7 |
| TPK2T 15- 5 | 700 | 432 | 268 | 142 | 111 | 13.0 |
| TPK2T 8 - 8 | 553 | 285 | 268 | 142 | 111 | 12.7 |
| TPK2T 11- 8 | 616 | 348 | 268 | 142 | 111 | 13.0 |
| TPK2T 11-11 | 656 | 348 | 308 | 142 | 111 | 14.3 |
| TPK2T 15-12 | 740 | 432 | 308 | 142 | 111 | 14.5 |
| TPK2T 15-15 | 740 | 432 | 308 | 142 | 111 | 15.0 |
| TPK2T 19-15 | 824 | 516 | 308 | 142 | 111 | 15.4 |
| TPK2T 19-17 | 824 | 516 | 308 | 142 | 111 | 15.8 |
| TPK4T Series | | | | | | |
| TPK4T 3 - 1 | 438 | 180 | 258 | 123 | 99 | 8.4 |
| TPK4T 5 - 1 | 480 | 222 | 258 | 123 | 99 | 8.7 |
| TPK4T 3 - 3 | 448 | 180 | 268 | 142 | 111 | 11.8 |
| TPK4T 5 - 3 | 490 | 222 | 268 | 142 | 111 | 12.0 |
| TPK4T 8 - 3 | 553 | 285 | 268 | 142 | 111 | 12.3 |
| TPK4T 19- 3 | 784 | 516 | 268 | 142 | 111 | 13.4 |
| TPK4T 5 - 5 | 490 | 222 | 268 | 142 | 111 | 12.1 |
| TPK4T 8 - 5 | 553 | 285 | 268 | 142 | 111 | 12.4 |
| TPK4T 11- 5 | 616 | 348 | 268 | 142 | 111 | 12.7 |
| TPK4T 15- 5 | 700 | 432 | 268 | 142 | 111 | 13.0 |
| TPK4T 19- 5 | 784 | 516 | 268 | 142 | 111 | 13.3 |
| TPK4T 19- 7 | 824 | 516 | 308 | 142 | 111 | 14.8 |
| TPK4T 8 - 8 | 593 | 285 | 308 | 142 | 111 | 13.8 |
| TPK4T 11- 8 | 656 | 348 | 308 | 142 | 111 | 14.1 |
| TPK4T 15- 8 | 740 | 432 | 308 | 142 | 111 | 14.4 |
| TPK4T 19- 8 | 824 | 516 | 308 | 142 | 111 | 14.8 |
| TPK4T 11-10 | 656 | 348 | 308 | 142 | 111 | 14.2 |
| TPK4T 15-10 | 740 | 432 | 308 | 142 | 111 | 14.5 |
| TPK4T 19-10 | 824 | 516 | 308 | 142 | 111 | 14.9 |
| TPK4T 11-11 | 656 | 348 | 308 | 142 | 111 | 14.3 |
| TPK4T 15-12 | 740 | 432 | 308 | 142 | 111 | 14.6 |
| TPK4T 19-12 | 824 | 516 | 308 | 142 | 111 | 14.8 |
| TPK4T 15-15 | 740 | 432 | 308 | 142 | 111 | 15.0 |
| TPK4T 19-15 | 824 | 516 | 308 | 142 | 111 | 15.4 |



TPH Series



TPHK Series



TPH-S Series



TPRK Series



TPR Series



WALRUS

WALRUS PUMP CO., LTD.

All specifications are subject to change without notice. 005