



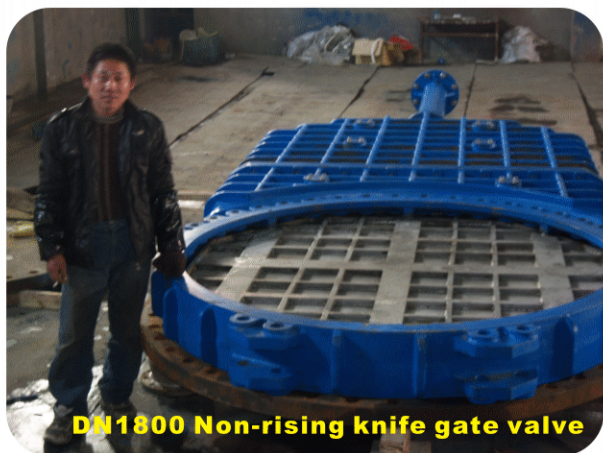
奇胜阀门 CHISUN VALVE

>>> Brief Introduction

The company is specialized in electric, pneumatic and manual knife gate valve, V-type ball valve, blind valve, butterfly valve, O-type ball valve, full-welded ball valve, semi-ball valve, check valve, globe valve and gate valve etc over 90 series and 2800 specifications and types. The products are widely used in the automatic control system in the industries of papermaking, chemical fiber, petrochemical industry, food, metallurgy, electric power, pharmacy and sewage treatment etc. Our frictionless metal seal knife gate valves have exceeded American MSS-SP 81 leakage standard in sealing pressure test, identified as internationally advanced level. We have been granted twenty national patents, and award such titles as national key product and national torch plan project etc. Now we also can produce pneumatic V-type cutting adjustment ball valve, which is identified as national leading level and obtain two patents besides national torch project. Currently, our control valves have been not only widely used in the large-scale papermaking projects at home, but also exported to USA, Australia, Indonesia, Spain, Taiwan and etc. Our products execute standard of GB, API, ANSI, JIS, DIN and our company owns certificate of ISO: 2000, API, CE and TS.

Wenzhou Chisun Valve Manufacture Co., Ltd. Is a manufacture of industrial process control valves and related automatic control equipment. With exploitation, design, research and development as well as full performance testing to the valves, the company has now become a medium-sized scientific and technological enterprise. Thanks to rich strength, excellent manufacturing equipment, perfect testing procedures, complete praised by our customers, our company is equipped CAD, and 3D design center, R&D center, testing center as well as machining equipment for valves' manufacturing and heat treatment workshop so as to ensure physical and chemical properties of main valve parts and surface precision, bringing Chisun's production process to a brand new step. Besides, we can design and manufacture non-standard valves according to customers' requirements.

Our company believes that quality is the foundation of an enterprise and also the ultimate strength to win the market competition. The tenet of "no quality, how to win", pioneering spirit, passion service and effort to develop the brand "**CHSUN**" are our promises to guarantee the product quality and service to general customers. Chisun will develop new products and broaden new areas unceasingly so as to provide customers home and abroad with more high-quality modern industrial process control valves.



DN1800 Non-rising knife gate valve

Sales department:

+86-577 - 86852611

+86-577 - 86877699

Please login in to look through more products

www.chisun.cn

*Adopting Chisun products to
broaden the sources of income and reduce expenditure*



船级社认证



安全认证

ISO 9001:2000



ISO 9001:2000



API 6A



信息安全保障



ISO 9001:2000



国家火炬计划



特种设备制造



国家专利



AAA级资信企业

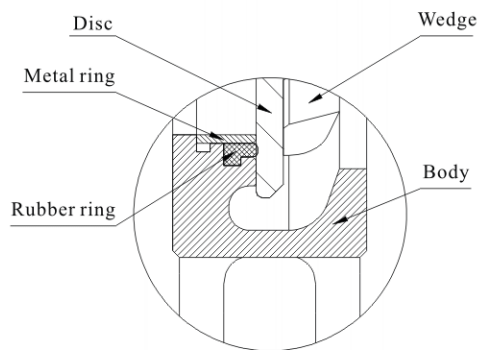
Seal struction of Chisun Valve knife gate valve series

EPDM (X)

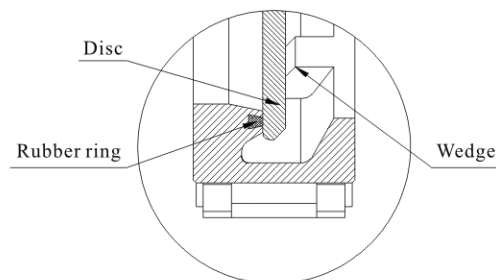
EPDM rubber seal using rubber seal ring (item 5) disc (item3) and wedge (item 2) combine sealing. Under external force, opening and closing parts ram driven downward. When valve is closing, the bottom slope and the valve gate wedge on the slope in each match, forcing mandatory gate seal rubber ring alone .following is as below:

1. Sealing structure of DN50-DN450: its Body on the side of the gate with rubber seals and rubber match of the groove section shape, rubber seals placed in slot, and press and hold the metal pressure ring, fixed to the body. There is a wedge which is designed with slope put in the bottom of disc, in the bottom gate and JIYUAN block ramp with consistent slope to form seal structure. When the rubber seals used bad, you can remove the metal ring for the better rubber ring.

2. Sealing structure of DN 500-2000: rubber seal for the trapezoidal shape cross section, is firmly inserting it into the surface of the trapezoid body seal groove. When the gate when closed down, rubber seals were all squeezed in the trapezoidal groove, through valve seals to maintain smooth, it was worn hard rubber seal, knife gate valve to achieve a reliable large-diameter seal.



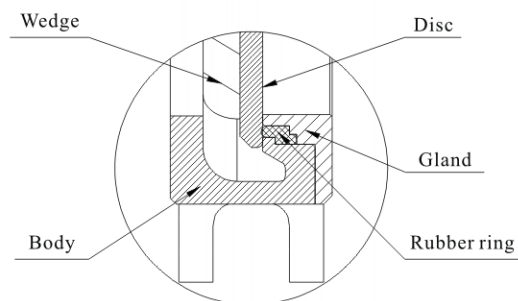
DN50-DN450 rubber seal structure



DN500-DN2000 rubber seal structure

EPDM activities sealing (Xs)

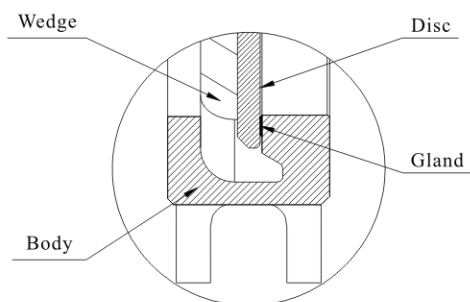
Valve seat ring gland presses ring or polyurethane rubber seals. It's in long life and easy to replace ring. This structure applies to the number of frequent switching, powder type media pipeline.



EPDM activities sealing (Xs)structure

Metal seal (H, W, Y)

The structure suitable for powder, granules, coal, mud and other media for pipeline leak full permission does not apply to fresh water.



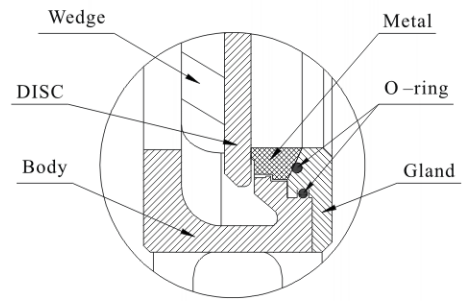
Metal seal (H, W, Y)structure

Seal struction of Chisun Valve knife gate valve series

Metal activities seal (Ws、Hs、Ys)

The seal structure used metal ring (item 22) and seat gland (item 25) is spherical joint lining. Ring do properly ball arc shape sliding under different pressure. The more pressure of disc, the better sealing performance (principle is equivalent to check valve sealing structure). The sealing structure and make disc and seal completely sealing to reach without any leakage. Sealing surface area is no friction that increases valve's life when disc open and close.

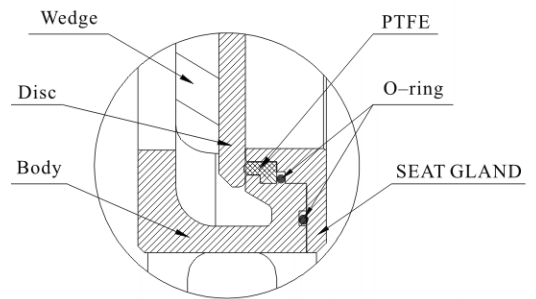
Without any attrition when operated only with activities seat seal. Body, gland, metal ring and disc are composed two co-gate, two fixed-POSE to sealing. When valve is close, under condition of wedge, disc is slide to seal ring, to make disc and ring combine together and without any leakage. Sealing and gland do sports to compacted seal restore normal condition and move left when disc is open, ring break away from disc at the same time, disc is continue rises up. Disc and ring are in no friction condition when disc is being risen up.



Metal activities seal (Ws、Hs、Ys)structure

PTFE sealing activities (Fs)

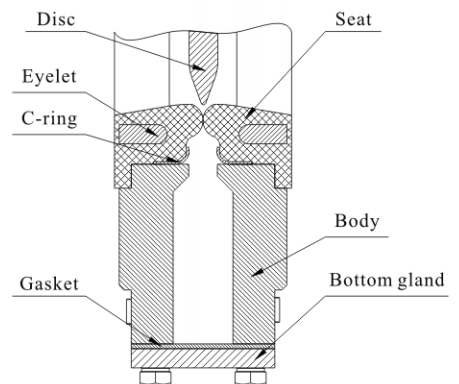
Gland presses PTFE, O-type is put between them to make media leak from the seat gland, PTFE seal replacement and installation is very convenient.



PTFE sealing activities(Fs)structure

QW Self-sealing(X)

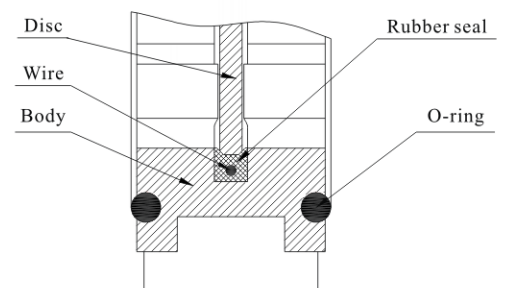
Two seats consistent to reach self-sealing without any leakage under the condition of flange's equipped. Disc wedges between two seats when valve closes to stop media. Double seating is response to elastic seat. Body material is abrasion resistant natural rubber which is fit for abrasion resistant and corrosive media. But it's only used in full opening and closing instead of pipeline throttling. There is a litter leakage when this kind of valve is open and closed.



QW Self-sealing(X)structure

QU bid-directional (X)

Wire is put through seat rubber seal and inserted seat rubber into body, which to make seat rubber combine with body. It depends on elastic of rubber seal to make disc and seat combine together to reach bid-directional sealing when valve is operated.

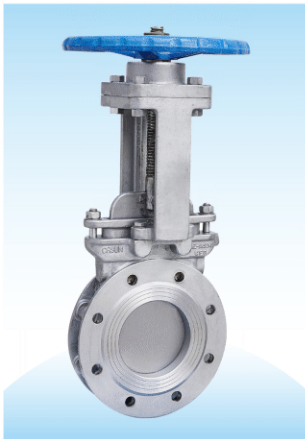


QU bid-directional (X)structure



Name: QB series pneumatic knife gate valve
Model: QBZ673H-10C
Series: QB series
Overlook: Lugged, round, plum-type
Pressure: PN10, PN16, 10K, 150LB, TABLED, DIN
Size: DN50-DN2000
Connection: Wafer
Operation: Hand wheel, electric, pneumatic, hydraulic, electric-hydraulic, gear box
Body: Cast steel, stainless steel
Disc: 2Cr13, 201, 304, 316, 316L
Sealing: H, W, F, X
Packing: PTFE
Media: Applicable to choose coal in power plant, slag discharge, sewage treatment, food, papermaking, medicine, petroleum and chemical industry etc, water, steam piping, cutting or connecting media such as in pipe of slurry, gold ore, coal, ore, slag, pulp, wood pulp, tailings, fiber, dust, chemical wastewater treatment, leaking, asphalt, silo export, fruit juice and grain, slaughterhouses wastewater etc.

Description:
Its changeable rubber ring knife gate valves. Seal principle mainly through the gate and rubber seals close to achieve the sealing effect. The main features of this structure is that the rubber ring is in the seat on the envelope ladder groove, the seal is locked by metal pressing sets, making ring sealing will not switch off when processing, and if the seals broken, you can remove the metal press kits replace the rubber ring at random, which improves the valve efficiency greatly. It's a cost-effective, high-performance product. It can be equipped with pneumatic actuator to meet different mineral requirements.



Name: QZ series manual knife gate valve
Model: QZZ73W-16P
Series: QZ series
Overlook: Lugged, round, plum-type
Pressure: PN10, PN16, 10K, 150LB, TABLED, DIN
Size: DN50-DN2000
Connection: Wafer
Operation: Hand wheel, electric, pneumatic, hydraulic, chain, electric-hydraulic, gear box
Body: Cast steel, stainless steel
Disc: 2Cr13, 201, 304, 316, 316L
Sealing: H, W, F, X
Packing: PTFE
Media: Applicable to choose coal in power plant, slag discharge, sewage treatment, food, papermaking, medicine, petroleum and chemical industry etc, water, steam piping, cutting or connecting media such as in pipe of slurry, gold ore, coal, ore, slag, pulp, wood pulp, tailings, fiber, dust, chemical wastewater treatment, leaking, asphalt, silo export, fruit juice and grain, slaughterhouses wastewater etc.

Description:
This new kind of valve including soft seal and hard seal is a new structure. Soft seal with activities seat and changeable rubber ring can easily replace damaged seal ring to achieve sealing requirement well, and can be made of PTFE seals according to customer's demands. It completely makes up for past PTFE difficult to seal and processing inconvenient and yoke is cast into a model using structure to make valve better robustness and usability. It's suitable for paper making, mining, sewage, chemical industry, food industry.



Name: QBZL series lever knife gate valve
Model: QBZL73W-PN6
Series: QBZL series
Overlook: Lugged, round, plum-type
Pressure: PN10, PN16, 10K, 150LB, TABLED, DIN
Size: DN50-DN300
Connection: Wafer
Operation: Hand wheel, electric, pneumatic, hydraulic, chain, electric-hydraulic, gear box
Body: Cast steel, stainless steel
Disc: 2Cr13, 201, 304, 316, 316L
Sealing: H, W, F, X
Packing: PTFE
Media: Applicable to choose coal in power plant, slag discharge, sewage treatment, food, papermaking, medicine, petroleum and chemical industry etc, water, steam piping, cutting or connecting media such as in pipe of slurry, gold ore, coal, ore, slag, pulp, wood pulp, tailings, fiber, dust, chemical wastewater treatment, leaking, asphalt, silo export, fruit juice and grain, slaughterhouses wastewater etc.

Description:
Lever-type knife gate valve which can cut off self-cleaning function is used in powder conveying, and manual hoist speed pipeline transportation, gate is opened and closed with the ring without gap. Lever-type knife gate valve that includes soft seal and hard seal is a new structure. Soft seal with activities seat and changeable rubber ring can easily replace damaged seal ring to achieve sealing requirement well, and can be made of PTFE seals according to customer's demands. It completely makes up for past PTFE difficult to seal and processing inconvenient, and yoke is cast into a model using structure to make valve better robustness and usability. It's suitable for paper making, mining, sewage, chemical industry, food industry.



Name: QY series non-rising electric knife gate valve
Model: QYZ73W-10P
Series: QY series.
Overlook: Lugged, round, plum-type
Nominal Pressure: PN10, PN16, 10K, 150LB, TABLED, DIN
Size: DN50-DN3000
Connection type: Wafer
Actuator: Hand wheel, electric, pneumatic, hydraulic, chain, electric-hydraulic, gear box
Body: carbon steel, stainless steel
Disc: 2Cr13, 201, 304, 316, 316L
Sealing: H, W, F, X
Packing: PTFE
Media: Applicable to choose coal in power plant, slag discharge, sewage treatment, food, papermaking, medicine, petroleum and chemical industry etc, water, steam piping, cutting or connecting media such as in pipe of slurry, gold ore, coal, ore, slag, pulp, wood pulp, tailings, fiber, dust, chemical wastewater treatment, leaking, asphalt, silo export, fruit juice and grain, slaughterhouses wastewater etc.

Product description:
Dark rod knife gate valve with disc buried in the body cavity is completely isolated from the external environment, it is suitable for pip which is installed in the swage pool and body is immersed in the liquid. If disc is not isolated from external environment, disc will be corrupted immediately, so it will affect life of the valve. The seal structure is that gate moves down till the bottom of the ramp compress carve blocks of the body to make gate compresses the sealing of the seat to achieve sealing effect.



Name: QC type Transmission pneumatic knife gate valve

Model: QCZ673H-16C

Series: QC series.

Pressure: PN10, PN16, 10K, 150LB, TABLED, DIN

DN50~DN3000

Connection: Wafer

Actuator: Hand wheel, electric, pneumatic, hydraulic, chain, electric-hydraulic, gear box

Body: carbon steel, stainless steel

Disc: 2Cr13, 201,304,316,316L

Sealing: H, W, F, X

Packing: PTFE

Media: Applicable to choose coal in power plant, slag discharge, sewage treatment, food, papermaking, medicine, petroleum and chemical industry etc, water, steam piping, cutting or connecting media such as in pipe of slurry, gold ore, coal, ore, slag, pulp, wood pulp, tailings, fiber, dust, chemical wastewater treatment, leaking, asphalt, silo export, fruit juice and grain, slaughterhouses wastewater etc

Product description:

Pneumatic penetration knife gate valve ,gate closely contacts with the seat , Principle is that there is a diameter size of circular port in the gate ,opening and closing gate makes circular port takes off and consistent action with diameter .

The advantages of this valve are: body's diameter without grooves, the medium does not plug the card blocking, full-diameter flow characteristics, suitable for powder using in the pipeline. The sealing structure can be divided into soft-seal and hard seal structure. Penetrable Knife Gate Valve is a sophisticated structure, good technology, compact structure, etc, activities of structural design of sealing seat, anti-wear and automatic compensation function and long age. Gate keeps closely movement with gate when opening and closing, makes valve open and close stability and cuts off the media, and so on. According to client's requirements, it can be equipped solenoid, limit switch, filter, etc,



Name: QU type Pneumatic control pulp knife gate valve

Model: QUZ673X-16

Series: QU series.

Pressure : PN10, PN16, 10K, 150LB, TABLED, DIN

DN50~DN3000

Connection: Wafer

Actuator: Hand wheel, electric, pneumatic, hydraulic, chain, electric-hydraulic, gear box

Body: cast, ductile iron

Disc: 2Cr13, 201,304,316,316L

Sealing: X

Packing Sealing: PTFE

Media: Applicable to choose coal in power plant, slag discharge, sewage treatment, food, papermaking, medicine, petroleum and chemical industry etc, water, steam piping, cutting or connecting media such as in pipe of slurry, gold ore, coal, ore, slag, pulp, wood pulp, tailings, fiber, dust, chemical wastewater treatment, leaking, asphalt, silo export, fruit juice and grain, slaughterhouses wastewater etc

Product description:

Pneumatic knife gate valve without groove is also called two-way pneumatic knife gate valve. Cast Iron, with the overall structure, bevel gear knife gate valve includes body, disc and U-seal, groove and flexible U-seal at the bottom of the cavity. Disc is moved down when valve is closed, the bottom edge of disc meets with the seal and then compresses into the groove to achieve sealing. Disc is moved up when knife gate valve is opened, the bottom edge of disc breaks from seal. Seal bounces up with groove formation to prevent media accumulated in the body cavity, not blocked easily and residue, pipe is cleaned easily, and to prevent leakage when knife gate valve is closed .That improves knife gate valve's sealing effect effectively. With longer service life, simply maintenance, flange O-ring sealing , without changing flange gasket, simply installation and small friction coefficient ,flexibly opening and closing.



Name: QW type self-sealing Pneumatic knife gate valve

Model: QWZ673X-10C

Series: QW series.

Nominal Pressure: PN10, PN16, 10K, 150LB, TABLED, DIN

Size: DN50~DN3000

Connection: Wafer

Actuator: Hand wheel, electric, pneumatic, hydraulic, chain, electric-hydraulic, gear box

Body: carbon steel, stainless steel

Disc: 2Cr13, 201,304,316,316L

Sealing: X

Packing Sealing: PTFE

Media: Used in mine water slurry pipeline, gold slurry, mineral mortar, slag slurry, coal slurry, pulp, wood pulp, tailings slurry, fiber pulp, precipitated slurry, pulp, and other media pitch.

Product description:

No gap knife gate valve makes use of two rubber seats to pressure clipping to achieve gate sealing effect. Two sealed valve connected together when gate is opened completed. When gate is closed, gate not all the valve, can be taken down to mend. The main feature of this kind valve is entire rubber seal of diameter with anti-wear properties and all-pass runoff common gender .It's suitable for industrial and mining pipe that need valve well resistant.



Name : QE double-open penetrable knife gate valve

Model: QEZ73X-10C

Press: PN10, PN16, 10K, 150LB, TABLED, DIN

Size: DN50-DN2000

Connection: wafer

Actuator: Hand wheel,electric, pneumatic, hydraulic, chain, electric-hydraulic, gear box

Body: cast steel, stainless steel

Disc: 2Cr13, 201, SS304, SS316, 316L

Sealing: H, W, F, X

Packing: PTFE

Media: c Applicable to choose coal in power plant, slag discharge, sewage treatment, food, papermaking, medicine, petroleum and chemical industry etc, water, steam piping, cutting or connecting media such as in pipe of slurry, gold ore, coal, ore, slag, pulp, wood pulp, tailings, fiber, dust, chemical wastewater treatment, leaking, asphalt, silo export, grain, slaughterhouses wastewater etc

Description:

Off penetrable knife gate valve is a new type of fast-flow regulating valve with both ends opened and closed operation of actuators that can double increase headstock speed. It can control degree of the headstock of valve directly through travel indicator. This valve is usually used in the ventilation ducts to control the wind-conditioning or regulating emissions from coal cinder flows. It's composed of body, gate, seat, stem, yoke, bevel gear with two gates and two operator ends. Through operation of ends of the actuator make two gates do separate to different directions and combine action. Hoist speed and the advantage of flow from center to two sides to make path media uniform regulation through center to around. This kind of valve can be manufactured manual, pneumatic and electric according to client's requirements.



Name: Side type of stainless steel eccentric semi-ball
 Model: KQ340W-16P
 Pressure: PN10, PN16, 10K, 150LB, TABLED, DIN
 Size: DN50-DN2000
 Connection: flange
 Actuator: Hand wheel, electric, pneumatic, hydraulic, chain, electric-hydraulic, gear box
 Body: cast steel, stainless steel
 Media: coal injection of steel industry, pulp of alumina industry, liquor and alumina powder transport, water (or dry) ash of electric power industry, petrochemical industry and gas industry etc.

Description:

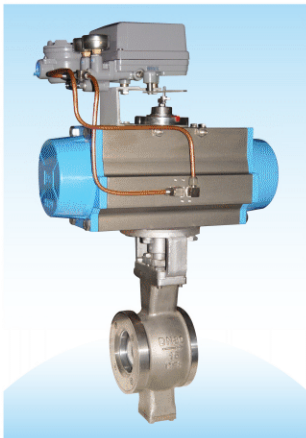
Structure Designed is similar to hard sealing of three- eccentric of butterfly valve, with convenient operation, without friction opened and leakage, long life, flowing are features:
 First, Sealing deputy (trim and seat)- double metal can achieve sphere of metal with hard sealing and prevent fire and explosion.
 Second, tight sealing, trim and sealing seat are contacting of spherical. It relies three-eccentric to achieve non-leakage;
 Third, Trim of sealing deputy with compensation, once valve is used for long time and discovered sealing deputy out of service, only to loose limit blots of hand wheel .And turning a litter when closed to achieve reliable sealing and extend life.
 Four, Set screw can be pressed out, seat can be adjusted and replaced, valve can be used and avoid sealing which is out of using than all valve is abandoned.



Name: Fully welded ball valve
 Model: QQ61F-16C
 Press: PN10, PN16, Pn25
 Size: DN50-DN600
 Connection: welding, flange, thread
 Actuator: Hand wheel, electric, pneumatic, hydraulic, chain, electric-hydraulic, gear box
 Body: cast steel, stainless steel
 Media: gas, oil, pipes of cement

Description:

1. The valve carbon steel seamless steel pipe pressing the overall welding ball valve
2. Stem material is stainless steel AISI303, body is AISI304. After finishing, it's with excellent sealing properties and corrosion resistance.
3. Carbon enhanced PTFE seal ring slope flexible sealing on the ball to reach zero leakage and long usage.
4. Connection: welding, screw, flange etc. Actuator: Hand wheel, worm gear, pneumatic and electric etc.
5. This kind of valve with compact structure, light weight, heat preservation, fix easily.
6. One welding ball draw foreign advanced technology, combined with the actual situation of the development, it is instead of imported to fill the gaps.



Name: Wafer pneumatic V-type ball valve
 Mode: ZSV73W-16P
 Press: PN10, PN16, PN25
 Size: DN50-DN600
 Connection: wafer
 Actuator: Hand wheel, electric, pneumatic, hydraulic, chain, electric-hydraulic, gear box
 Body: cast steel, stainless steel
 Media: gas, oil, stream etc.

Description:

V- type of trim with metal seal structure , V- notched and seat do proportion of flow regulation ,and sealing surface works closely when V- spool and metal seat is in rotation process. V- I can cut media and impurities functions to avoid be choked to death, and they can self-cleaning function. So this kind of valve can be used in paper making, chemical, metallurgical and other industrial enterprises containing fibers or tiny solid particles in suspension.
 With pneumatic actuator, it can achieved 90° range of hoist, Working with locator supporting , it can remote microcomputer controlling flow opening to achieve proportion of adjustment; Working with two five-pass solenoid and the control box, it can achieve switches controlling. It can be used for gas, liquid, solid particles,



Name: Flange V-type ball valve
 Mode: ZSV73W-16P
 Press: PN10, PN16, PN25
 Size: DN50-DN600
 Connection: flange
 Actuator: Hand wheel, electric, pneumatic, hydraulic, chain, electric-hydraulic, gear box
 Body: cast steel, stainless steel
 Media: gas, oil, stream etc.

Description:

V- type of trim with metal seal structure , V- notched and seat do proportion of flow regulation ,and sealing surface works closely when V- spool and metal seat is in rotation process. V- I can cut media and impurities functions to avoid be choked to death, and they can self-cleaning function. So this kind of valve can be used in paper making, chemical, metallurgical and other industrial enterprises containing fibers or tiny solid particles in suspension.
 With pneumatic actuator, it can achieved 90° range of hoist, Working with locator supporting , it can remote microcomputer controlling flow opening to achieve proportion of adjustment; Working with two five-pass solenoid and the control box, it can achieve switches controlling. It can be used for gas, liquid, solid particles,



Name: square type gate
 Nominal Pressure: normal
 Size: 200X200~3000X3000
 Connection: back to wall
 Operation: Hand wheel, electric, gear box
 Main material: Cast iron, ductile cast iron
 Sealing: Cu dual-Brass, self-body
 Media: swage, water

Description:

Composed of square door frames, gate, rack, sealing strip, adjustable structure of sealing, this kind of sealing principle is door frame is fixed on square pipe of pool and wall, rack is fixed on door frame and wall, through rack opens and closes till weld block of gate meets with weld block of rack to make sealing surface of gate close to sealing surface of door frame to achieve sealing. Besides, sealing of gate and sealing of door frame are made of inlaid copper which is well resistance, It makes valve with well sealing, wear resistance, corrosion resistance, easily operation, convenient installation, long life, widely usage. It's suitable for water supply and drainage, water conservancy and flood control etc, water intake, pool and water collecting well of hydraulic structures. This kind of valve can through closing date machine operate on the platform. Hand wheel, manual and electric with closing date machine which it's easily open and close can be equipped with according to customers' requirements.



Name: round gate
 Nominal Pressure: normal
 Size: DN250~DN2000
 Connection: back to wall
 Operation: hand wheel, Pneumatic, surge, chain wheel, electro-hydraulic, Bevel gear
 Main material: Cast iron, ductile cast iron, cast steel, stainless steel
 Sealing: Cu dual-Brass, self-body
 Media: swage, water, gas, oil, natural gas, acid-base corrosive medium

Description:

Composed of round door frames, gate, rack, sealing strip, adjustable structure of sealing, this kind of sealing principle is door frame is fixed on square pipe of pool and wall, rack is fixed on door frame and wall, through rack opens and closes till weld block of gate meets with weld block of rack to make sealing surface of gate close to sealing surface of door frame to achieve sealing. Besides, sealing of gate and sealing of door frame are made of inlaid copper which is well resistance, It makes valve with well sealing, wear resistance, corrosion resistance, easily operation, convenient installation, long life, widely usage. It's suitable for water supply and drainage, water conservancy and flood control etc, water intake, pool and water collecting well of hydraulic structures. This kind of valve can through closing date machine operate on the platform. Hand wheel, manual and electric with closing date machine which it's easily open and close can be equipped with according to customers' requirements.



Name: stainless steel ball valve
 Model: Q41F-16P
 Nominal Pressure: (PN10, PN16, 10K, 150LB, TABLED, DIN)
 Size: DN15~DN600 1/2"~24"
 Connection: flange
 Operation: hand wheel, electric, Pneumatic, turbo
 Main material: WCB, CF8, CF8M, CF3M
 Ball material: CF8, CF8M, CF3M
 Sealing: F
 Media: swage, water, gas, oil, natural gas, acid-base corrosive medium

Description:

Ball valve is one kind of floating ball, with integrated structure and function, small volume, light in weight, reliable, simple matching, flow capacity, etc.

1. In a variety of valves, the valve of the flow path of least resistance, full diameter ball valve open, the ball channel, valve and connecting channels and into a diameter equal to diameter, almost no loss of dielectric flow through
2. Sphere can be rotated 90 degrees all the relevant open, open and close quickly. Compare With the same specifications of gate valve, globe valve, the ball valve smaller and lighter.



Name: ANSI flange check valve
 Model: H44H-150LB
 Nominal Pressure: (PN10, PN16, 10K, 150LB, TABLED, DIN)
 Size: 2"~24"
 Main material: WCB, CF8, CF8M, CF3M
 Media: swage, water, gas, oil, natural gas, acid-base corrosive medium

Description:

Check valve also known as countercurrent valve, back valve, one-way valve. Such valves are by pipeline flows in the medium force itself automatically opened and closed, belong to an automatic valve. The check valve used on pipeline system, whose main role is to prevent the media back, the pump and the drive motor reversal, and the container media emissions. Check valve also can be used to the pressure which may rise to more than the main system pressure to the auxiliary system supplies the pipeline.



Name: ANSI stop valve
Model: J41W-150LB
Pressure: GB,ANSI,BS,DIN (PN10, PN16, 10K, 150LB, TABLED, DIN)
Size: 2"~24"
Operation: Hand wheel, pneumatic, hydraulic, chain, electric-hydraulic, gear box
Body: WCB, CF8, CF8M
Seat sealing: 13Cr, STL, 304, 316
Media: Petroleum, chemical, pharmaceutical, chemical, electric power industries etc, cutting or connect media

Instruction:

1. Designing is fit for ANSI B16.34, BS 1873 of foreign advance standard requirement.
2. The beautiful appearance of the valve like bucket, circulation shape is through way type with small resistance.
3. Closed parts (disc) and seat sealing surface with cone seal, small in close power, resistance to erosion, sealing and reliable.
4. Seat can be replaced, and can be any combination of on and off the matching sealing surface material to meet the requirements of condition to extend the service life.
5. Large in size, high pressure stop valve according to the needs of the closing force of the drive way with lift rod and the bearing type used with percussive hand wheel to reduce the closing force.
6. The main material, trim materials, fillers, fasteners material according to customer or a combination of actual and reasonable working conditions.



Name: Butterfly valve
Model: D341X-16C
Pressure: GB,ANSI,BS, DIN (PN10, PN16, 10K, 150LB, TABLED, DIN)
Size: 2"~80"
Operation: Hand wheel, pneumatic, hydraulic, chain, electric-hydraulic, gear box
Packing: flexible graphite
Body: Cast iron, stainless steel, carbon steel
Media: Food, medicine, chemical, petroleum, electric power, papermaking etc dewatering, adjust flow and cutting off media. in gas pipe.

Instruction:

1. Novel design, reasonable structure, unique, light weight, lifts quickly
2. Operating torque force is small, easy operation, saving dexterity
3. Can be installed in any position and convenient maintenance
4. Sealing part can be changed and seal can reach without any leakage.
5. Seal material can resistance, corrosion and bid-directional.



Name: Blind valve (glasses valve)
Model: CF43X-2.5
Pressure: GB
Size: Size: 2"~80"
Operation: Hand wheel, pneumatic, hydraulic, electric-hydraulic
Packing: flexible graphite
Body: Cast iron, stainless steel, carbon steel
Media: Such poisonous, harmful gas, flammable gas

Instruction:

1. This kind of valve is made up of right and left body, circulator sector gate, nut and so on.
2. Using three-point lock, circulator sector gate to component.
3. Long series blind plate vane with good sealing, non-leakage, strong flexibility, long life, etc, comes from short ones which one stainless steel corrugated tube is added.



Wenzhou Chisun Valve Manufacture Co.,Ltd.

ADD : Qisheng Industrial, Jinji Road, Jinao Village,
Yaoxi Town, Longwan Area, Wenzhou

Tel : +86-577-86852611 86877699

Fax : +86-577-89735553 86613200

Website : www.qishengvalve.com

www.chisun.cn

www.knifegate.cn

High-technology builds Chisun brand products