

Measuring relay
SOR2 - 2 phases or phase-neutral measuring relay with 1 c/o
17.5mm housing



Approvals



Mounting

Snap-on mounting using a standard DIN rail EN 50022.
The unit is designed to allow side-by-side mounting, with an ambient temperature of < 60°C.

Application

Phase measuring.

Description

The **SOR2** measures the phases of a three-phase system for phase failure.

Function

The SOR2 switches into its work position, when at least one phase and the neutral are connected. The working position can also be achieved without the neutral when at least two phases are available. This status is indicated by the green LED. If the voltage falls below or exceeds these values, then the relay switches into its rest position.

Options

Other voltage values available upon request.

Part number

022001

**SOR2 2 Phases or
Phase-Neutral measuring relay
1 Changeover**

Measuring relay
SOR2 - 2 phases or phase-neutral measuring relay with 1 c/o
 17.5mm housing

Technical data

Supply

Supply voltage: 3 x 400V AC / N
 Frequency range: 50 ... 60Hz
 Power consumption: 4 – 12VA

Operating mode:

continuous
 U < : 270V (465) AC
 U > : 170V (295) AC

Operation indicators

Relay in working position: LED, green

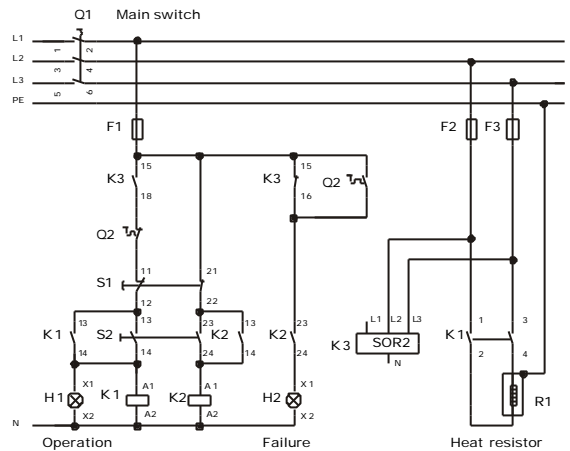
Contact

Number of changeovers: 1
 Contact material: AgSnO₂
 Maximum switching voltage: 250V AC
 Maximum switching current: 4A
 Drop-off time of switching element: approx. 20ms
 Mechanical life: 30 Mio.
 Electrical life (with rated load): 0.8 Mio.

General data

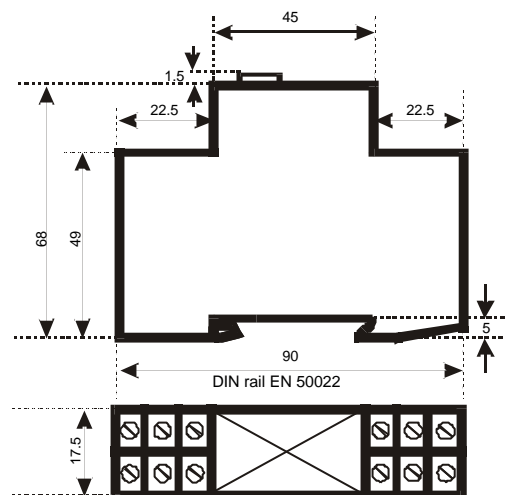
Ambient temperature: - 25 ... + 60°C
 Climate resistance: VDE 0435T.2021
 Mounting position: any
 Vibration resistance: VDE 0435T.2021
 Test voltage: 2.5kV
 Isolation group: VDE 0110 Group C 250
 Protection class: Terminals IP 20
 Housing IP 40
 Connection terminals: Crosshead screws;
 M3.5 self opening
 Connection cross section: Multi-strand wire with
 wire sleeves 2 x 2.5mm²
 single wire 2 x 2.5mm²
 Finger touch protection: VDE 0106T.100 and
 VBG4
 Mounting: Symmetrical DIN rail
 EN 50022
 Dimensions l x w x h: 90mm x 17.5mm x 69.5mm
 Weight: 84g

Example



The SOR2 monitors the thermal resistor for phase failure.

Dimensions



Connections

The terminal assignment for the connections is on the front panel of the relay. **Reading the front panel from top to bottom**, the connections are in the following order:

Upper side	Right:	nc – N – L2
	Left:	nc – L3 – L1
Lower side	Right:	nc – 15 – nc
	Left:	nc – 16 – 18

上海悦中电气设备有限公司
 上海恒通路360号一天下大厦24C
 TEL: 021-62246890
 FAX: 021-52240873
 Http://www.skjd.cn
 E-mail: shskjd@126.com