



# 40X(2) - Oxygen CiTiceL<sup>®</sup>

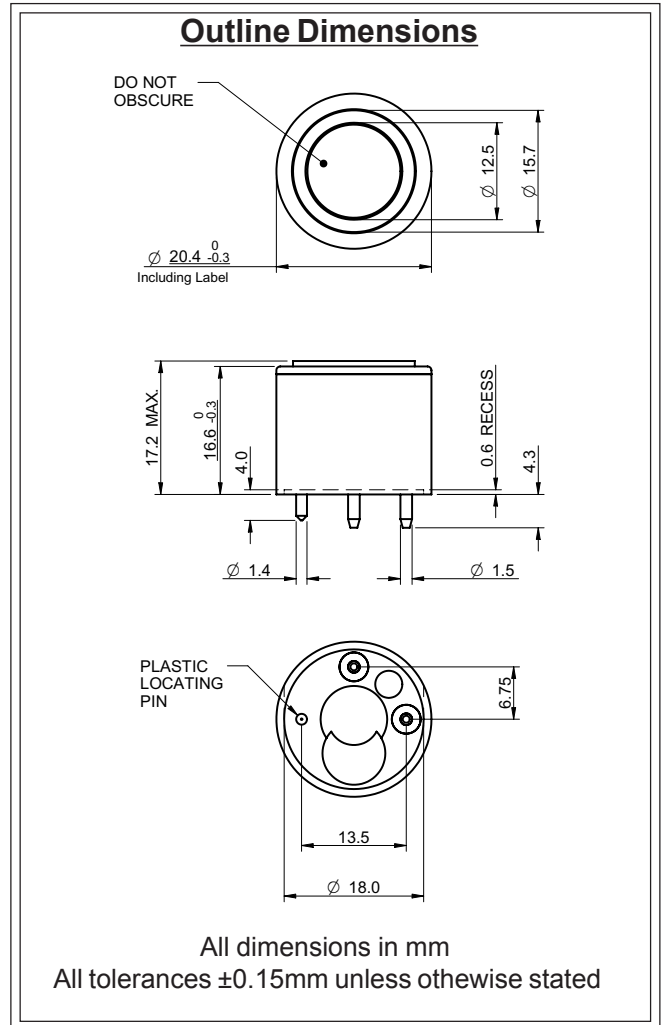
N.B. The specification is based on measurements made with cylinder gases using a flow rate of 400 mls min<sup>-1</sup>. Conditions at 20°C, 50%RH, and 1013mBar unless otherwise noted.

## Performance Characteristics

<b>Nominal Range</b>	0-25% Oxygen
<b>Max Overload</b>	30% Oxygen
<b>Expected Operating Life</b>	Two year in air
<b>Output Signal</b>	0.10 ± 0.02mA in air
<b>T<sub>95</sub> Response Time</b>	≤15 seconds
<b>Temperature Range</b>	-20°C to +50°C
<b>Temperature Coefficient</b>	0.2% signal/°C
<b>Pressure Range</b>	Atmospheric ± 10%
<b>Pressure Coefficient</b>	<0.03% signal/mBar
<b>Operating Humidity</b>	0 to 99% RH non-condensing
<b>Long Term Output Drift</b>	<2% signal/month (typically <5% over Operating Life)
<b>Recommended Load Resistor</b>	100Ω

## Physical Characteristics

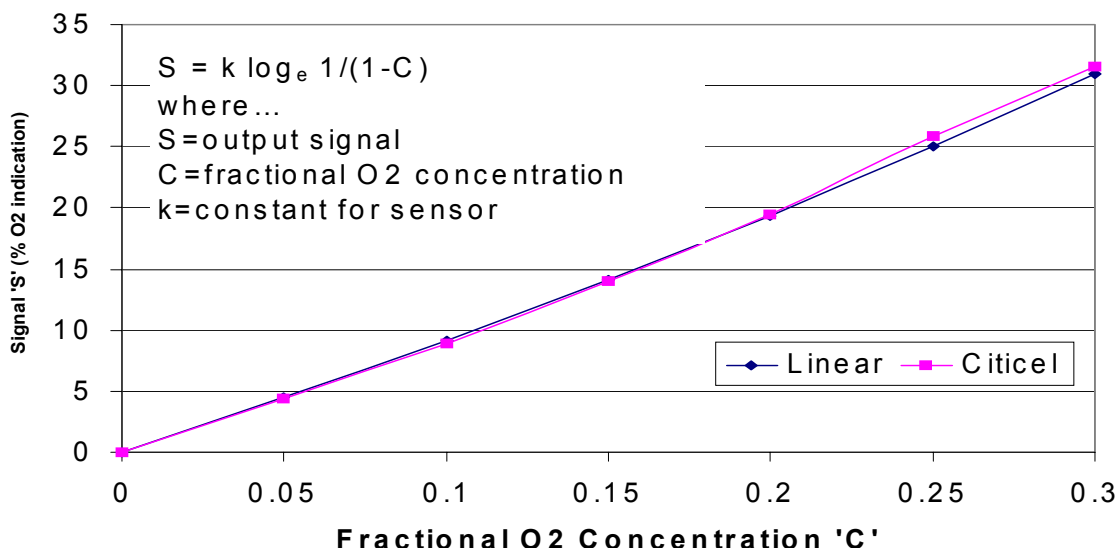
<b>Weight</b>	15g (approx.)
<b>Orientation Sensitivity</b>	None
<b>Storage Life</b>	Six months in CTL container
<b>Recommended Storage Temperature</b>	0-20°C
<b>Warranty Period</b>	24 months from date of despatch (This amounts to a variation of condition 6 of our standard terms and conditions which otherwise apply)



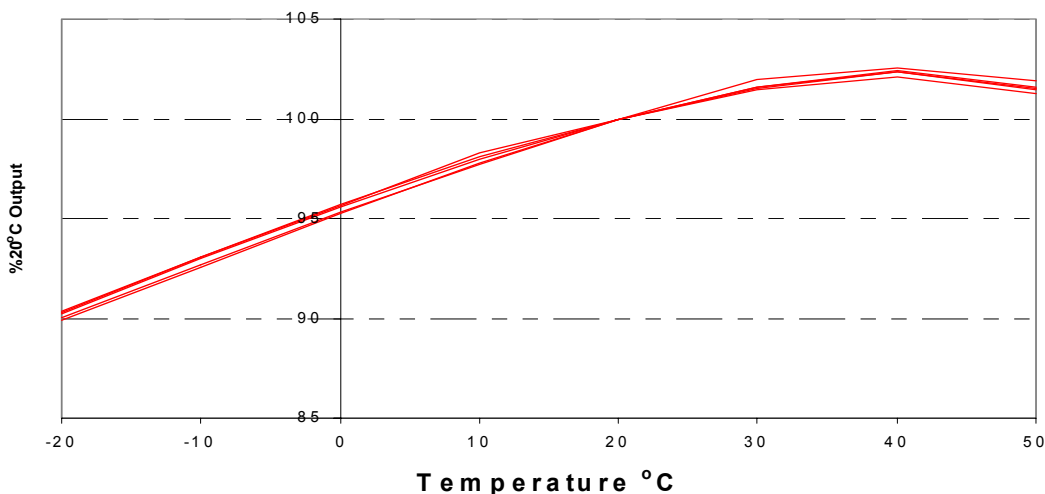
**IMPORTANT NOTE:** Connection should be made via PCB sockets only. Soldering to the pins will seriously damage your sensor and render your warranty void.



### Output Signal vs. Concentration



### %20°C Output vs Temperature



Every effort has been made to ensure the accuracy of this document at the time of printing. In accordance with the company's policy of continued product improvement City Technology Limited reserves the right to make product changes without notice. No liability is accepted for any consequential losses, injury or damage resulting from the use of this document or from any omissions or errors herein. The data is given for guidance only. It does not constitute a specification or an offer for sale. The products are always subject to a programme of improvement and testing which may result in some changes in the characteristics quoted. As the products may be used by the client in circumstances beyond the knowledge and control of City Technology Limited, we cannot give any warranty as to the relevance of these particulars to an application. It is the clients' responsibility to carry out the necessary tests to determine the usefulness of the products and to ensure their safety of operation in a particular application.

Performance characteristics on this data sheet outline the performance of newly supplied sensors. Output signal can drift below the lower limit over time.