

提夫自控技术（上海）有限公司



传感器原理		MH-C2
电气参数		
测量角度范围	°	0 ... 360
独立线性度	% of meas. range	±0.25
最大磁滞	°	0.36
分辨率	bit	16
最大可重复性	°	±0.1
采样率	kHz	0.5
输出信号最大温度系数	ppm/°K	50
MTTFd / MTBF	years	135 / 135
供电电压	VDC	18 ... 31.2
不带总线负载电流损耗(typ.)	mA	30
电源极性反接保护		yes
电气连接(s =屏蔽线)		Cable 10pole, s
电源极性反接保护	mm ²	0.22 (AWG24)
总线接口		ISO/DIS 11898-2
CANopen 通信根据CiA		Standard DS-301 Rev. 4.02
装置属性		DSP-406, Rev. 3.1, Encoder class C2
Node-ID 范围		1 ... 127
Node-ID (可调节4条外部线路)		1 ... 16
Node-ID (不使用外部线路)		programmable (1 ... 127)
软件版本		1.2.Z
标准比特率	kBit/s	125
输出信号电阻 (由外部线路设定)	Ohm	120

机械特性参数		
机械转角范围	°	360 (continuous)
防护等级		IP65
在特定防护等级的最大起动力矩	Ncm	4
最大回转速度	rpm	6000
最小寿命	movements	200 Mio.
最大允许轴向轴负载	N	45
最大允许径向轴负载	N	45

符合标准		
EMC according to German Lloyd (GL)		EMC1 ⁽¹⁾
CANopen conformance certified by CiA		Certificate-#: CiA2200804-301V402/20-0087 ⁽²⁾
Environmental category according to German Lloyd (GL)		D

⁽¹⁾ Type approved by German Lloyd: Guidelines for the Performance of Type Approvals, Part 2, Test Requirements for Electrical/Electronic Equipment and Systems, Edition 2003

⁽²⁾ CANopen according DS-301 V4.02, DS-406 V3.1 Encoderclass C2

Vert-X 51 - 24V / CANopen /
GL - certified
应用
360° 船舶推进传感器
航向指示器

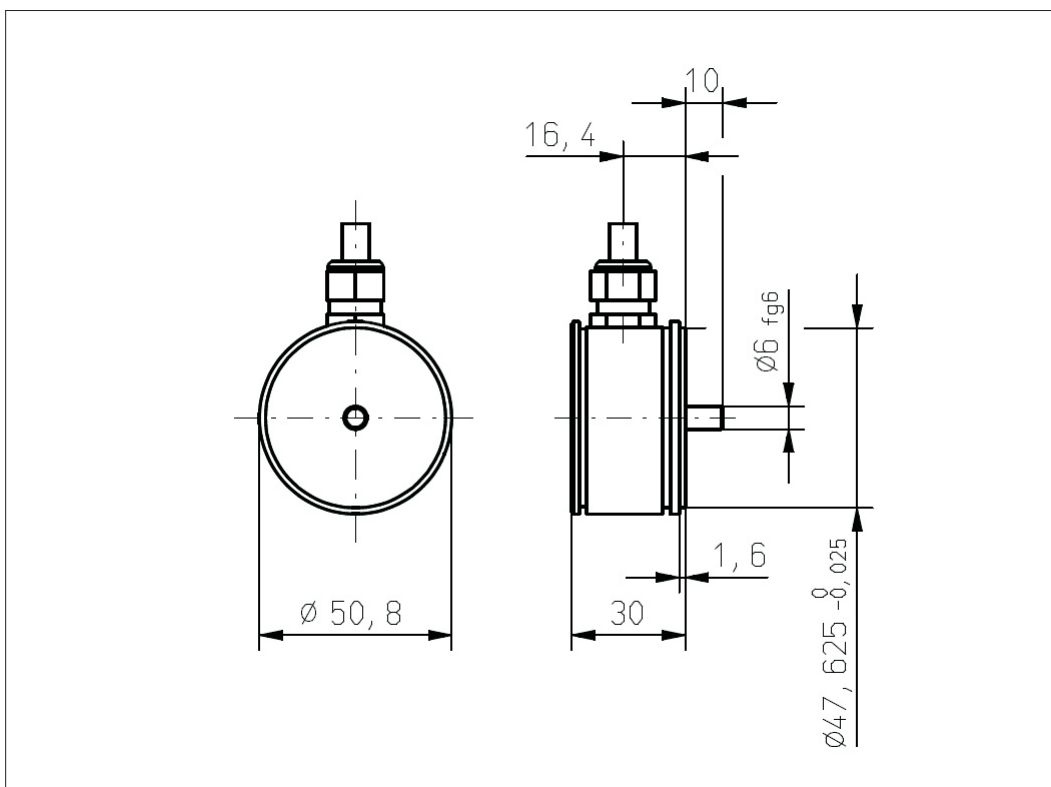
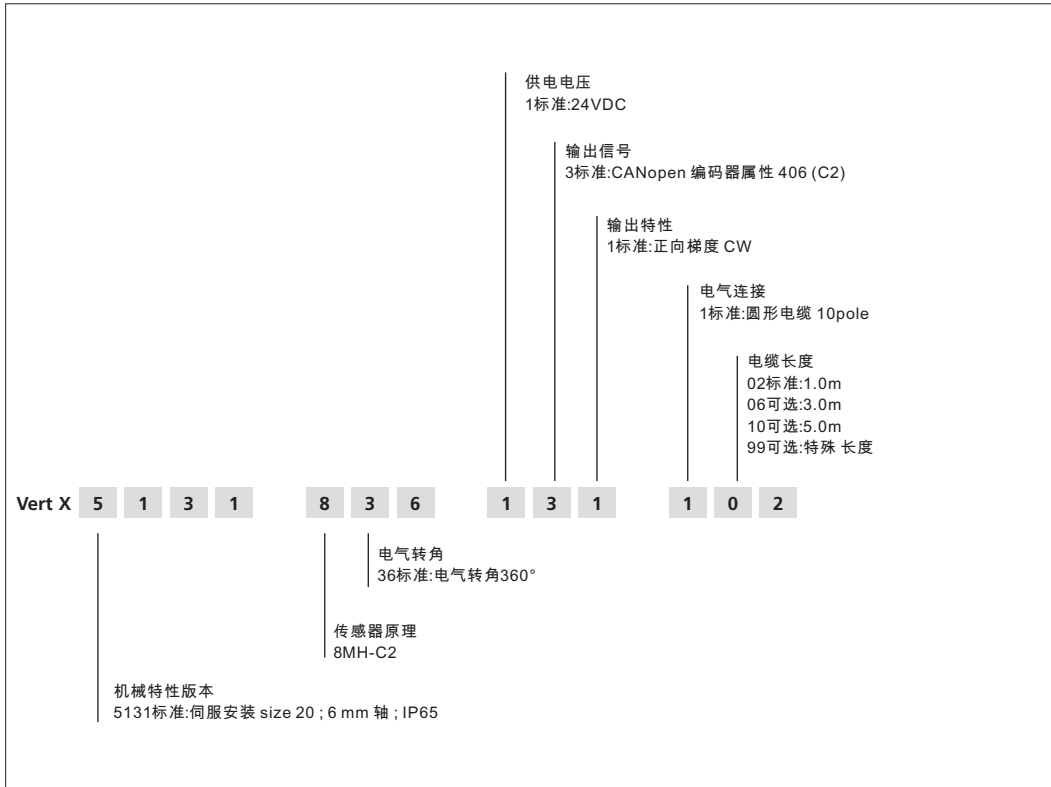
产品特点

CiA 认证
非接触式测量方法 (霍尔磁场)
很长的寿命
高精度测量
适合严苛环境应用
(湿度, 湿气, 灰尘, 振动等.)

提夫自控技术（上海）有限公司



Vert-X 51 - 24V / CANopen /
GL - certified
订购代码



图纸

配件 (incl.)
3x 固定夹子
3x带槽汽缸盖
螺丝M3x8

CONTELEC
A company of the Siedle-Group



Vert-X 51 - 24V / CANopen /
GL - certified
认证

Type Approval Certificate



This is to certify that the undernoted product(s) has/have been tested in accordance with the relevant requirements of the GL Type Approval System.

Certificate No.	58 715 - 08 HH
Company	Contelec AG Portstr. 38 2503 Biel/Bienne, SWITZERLAND
Product Description	Absolute Rotary Position Transducer with CANopen Interface
Type	Vert-X 51 CAN
Environmental Category	D, EMC1
Technical Data / Range of Application	Power supply: 18...31.2 VDC Power consumption: 30 mA (without bus activity) Angular Range: 0...360° Internal Resolution: 16 Bit Absolute Linearity: ±0.25% Reproducibility: ±0.1° Hysteresis: 0.36° Temperature Coefficient: max 50 ppm/K Degree of protection: IP65 CANopen Protocol: DS-301 V4.02, DS-406 V3.1, Encoderclass C2 Node ID's: 1...16 (set by 4 external lines) or 1...127 (set by software) Default Bitrate: 125 kBit/s Software Version: 1.2.Z
Test Standard	Guidelines for the Performance of Type Approvals Part 2, Edition 2003
Documents	Test report : U080851E1/2nd, E080851E, Messungen Vert-X 51 V1. Specification: Vert-X 51 V6. Drawing: MB 18344 Rev. A. CANopen Certificate: CiA200804-301V402/20-0087
Remarks	None
Valid until	2013-08-24

Page 1 of 1

File No. I.D.15

Hamburg, 2008-08-25

Type Approval Symbol



Germanischer Lloyd

Jürgen Wittburg

Heinz Scheffler

This certificate is issued on the basis of "Guidelines for the Performance of Type Approvals Part 1, Procedure".

Errors and omissions excepted. Subject to
change without notice. / State: 10.05.10

CONTELEC
A company of the Siedle-Group



Vert-X 51 - 24V / CANopen /
GL - certified
认证



Certificate # **CiA201003-301V402/20-0116**

Vendor ID **00 00 00 80**

Manufacturer **Contelec AG**

Device **Vert-X MH-C2 CAN**

<u>Product code:</u> 0001 8774h Object 1018h/02h	<u>Revision number:</u> 0000 00A1h Object 1018h/03h
<u>Hardware version:</u> HV30781B Object 1009h	<u>Software version:</u> SV_1.2.3 Object 100Ah

EDS **MH-C2_CAN.eds**

<u>File version:</u> 1	<u>File revision:</u> 0
<u>EDS version:</u> 4.02	

Nuremberg, 26.03.2010


CAN in Automation GmbH
Kontumazgarten 3
90429 Nuremberg
Germany
Fax: +49-911-928819-7
Technical Manager

CAN in Automation GmbH
Kontumazgarten 3
90429 Nuremberg
Germany
phone: +49-911-928819-0
fax: +49-911-928819-7



*Errors and omissions excepted. Subject to
change without notice. / State: 10.05.10*

CONTELEC
A company of the Siedle-Group