



**Vert-X 28HD - 24V / 0.1 - 10V**

## Applications

- Harvester
- Public transport
- Construction machines

## Features

- Very high protection class IP68 & IP69K
- Very robust design
- Compact dimensions
- Contactless measuring method
- Long life
- High accuracy of measurement
- Simple adjustment with elongated holes
- Applications under harsh ambient conditions possible (humidity, dampness, dust, dirt, vibrations, etc.)
- Full resolution and accuracy at programmed electrical angle

Errors and omissions excepted. Subject to change without notice. State: 02.11.12

Sensor principle		MH-C	MH-C2
<b>Electrical data</b>			
Measuring range	°	0...360	-
Indep. linearity	% of meas. range	±0.3	-
Max. hysteresis	°	0.1	-
Resolution	bit	12	-
Max. repeatability	°	0.1	-
Sample rate fast mode	kHz	(5)	-
Sample rate slow mode	kHz	1.66	-
System propagation delay fast mode	µs	(800)	-
System propagation delay slow mode	µs	4600	-
Max. temperature coefficient of the output signal	ppm/°K	100	-
MTTFd / MTBF	years	185/185	-
Power supply voltage	VDC	10.8...35	-
Current consumption without load (typ.) fast mode	mA	(19)	-
Current consumption without load (typ.) slow mode	mA	14	-
Min. ohmic load at output	kOhm	10	-
Max. capacitive load at output	nF	100	-
Reverse polarity protection of power supply		yes	-
Electrical connection		Cable 3pole	-
Cross section of single wires	mm <sup>2</sup>	0.56 (AWG20)	-
Redundancy feasible		no	-
Electrical connection redundant		-	-
Cross section of single wires redundant	mm <sup>2</sup>	-	-
<b>Mechanical data</b>			
Mechanical range	°	360 (continuous)	-
Protection class		IP68 & IP69K	-
Max. starting torque at specified protection class	Ncm	6	-
Max. rotating speed	rpm	3000	-
Min. life	movements	360 Mio.	-
Max. permitted axial shaft load	N	100	-
Max. permitted radial shaft load	N	100	-
Operating & storage temperature	°C	-40...+85	-
IEC 68-2-6 Vibration (Amax = 0.75mm, f = 5...2000 Hz)	g	20	-
IEC 68-2-27 Shock	g	50	-
<b>Standards</b>			
EN 55022 class B, Emission radiated (30...230MHz)	dB(µV/m)	max. 30	-
EN 55022 class B, Emission radiated (230...1000MHz)	dB(µV/m)	max. 37	-
EN 61000-4-2, ESD (contact discharge / air discharge)	kV	±4 / ±8	-
EN 61000-4-3, Immission HF radiated (80...1000MHz)	V/m	100	-
EN 61000-4-3, Immission HF radiated (1.4...2GHz)	V/m	3	-
EN 61000-4-3, Immission HF radiated (2...2.7GHz)	V/m	1	-
EN 61000-4-4, Burst (on all lines)	kV	±1	-
EN 61000-4-5, Surge (lines to ground)	kV	±1	-
EN 61000-4-6, Immission HF conducted (0.15...80MHz)	Vemk	10	-
EN 61000-4-8, Immission magnetic field (50Hz)	A/m	300	-
IEC 60393-1 Insulation resistance (500VDC, 1bar, 2s)	GOhm	20	-
IEC 60393-1 Dielectric strength (VAC, 50Hz, 1min, 1bar)	kV	1	-



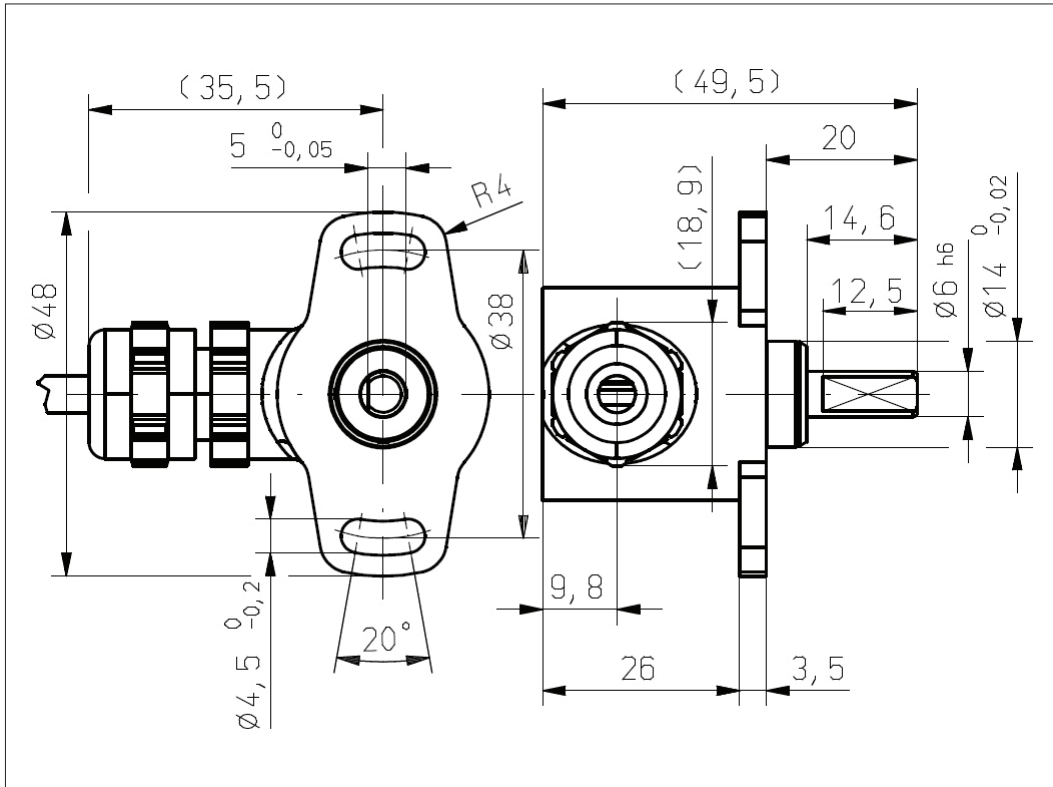
Vert-X 28HD - 24V / 0.1 - 10V  
Ordering code

<b>Output characteristics</b>		Standard 1		<b>Electrical connection</b>	
Positive gradient CW	Standard	1	1	Standard	Round cable 3pole
Positive gradient CCW	Optional	2	1	9	Optional Special cable
<b>Output signal</b>		Standard 1		<b>Length of cable</b>	
0,1VDC...10VDC	Standard	1	1	02	Standard 1.0m
<b>Power supply voltage</b>		Standard 6		06	Optional 3.0m
24VDC	Standard	6	1	10	Optional 5.0m
<b>Electrical angle</b>		Standard Electrical angle 360°		99	Optional Special length
36	Standard	36	1	03 to 35; Declaration in 10° steps	
xx	Optional	xx	1	Special angle	
99	Optional	99	1		
<b>Sensor principle</b>		7 MH-C			
<b>Mechanical version</b>		28HD Standard 6mm shaft D-shape; IP68 & IP69K - Heavy-duty			
		28H9 Optional Special shaft			

	MH-C	MH-C2
Custom shaft design	X	-
Custom cable	X	-
Sample rate in fast mode	X	-
Special characteristic curve	-	-
Special electrical angle within 30° to 360° (ex factory)	X	-

**Options (on request)**

Errors and omissions excepted. Subject to change without notice. State: 02.11.12



## Vert-X 28HD

### Accessories (incl.)

- None

Errors and omissions excepted. Subject to change without notice. State: 02.11.12