

LASER

Analog Laser Displacement Transducer



LAS Series

Key-Features:

- Available measurement ranges: 10 to 13000 mm
- Resolution up to 2 μm , linearity up to $\pm 6 \mu\text{m}$
- Spot and line laser versions
- Individual parametrization by teach-in procedure
- Protection class: IP67
- Working temperature: 0 to 50 °C
- Very precise distance measurement on most materials
- Protected against reverse polarity and short circuit
- Analog output 4..20 mA and/or 0...10 V

Content:

Measurement Principle & Installation2
Overview of the Series3
Technical Data4
Technical Drawings9
Diagrams10
Order Code13
Accessories14

INTRODUCTION

LAS laser sensors cover measurement ranges from 1 to 13000 mm. The integrated micro-controller delivers an accurate output signal, which is proportional to the detected distance. External analysers to evaluate the signals are not required. Reliable operation, independent of color or other influences of the surface, is ensured by sophisticated electronic elements integrated in the system. The small visible laser spot allows a simple and precise orientation of the sensor. Distances to rough surfaces can be measured by using a fine laser line instead of the spot.

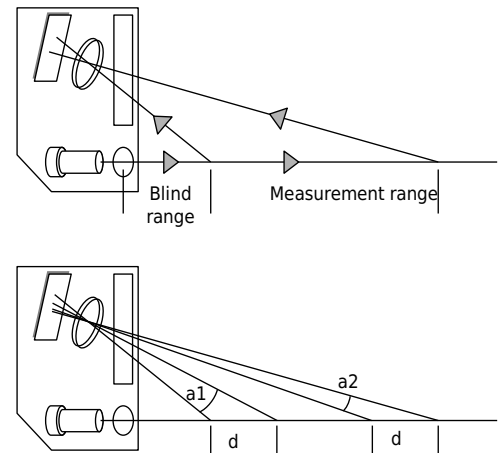
MEASURING PRINCIPLE

The triangulation principle is basic for this measurement method (exception LAS-TX). The laser beam in the form of a small spot arrives on the surface of the target, while the detector of the system captures its position. The distance itself is calculated by means of the change of the angle. Achievable resolution and accuracy are therefore influenced mainly by the distance d : In proximity of the sensor, a large angular change $a1$ can be obtained, whereas larger values result in a smaller angle $a2$, thus in reduced accuracy (see drawing).

A photo diode array integrated in the sensor represents the receiver, high speed versions use a PSD element. The receiver is directly coupled to a micro-controller, being part of the system. This micro-controller analyses the light distribution on the element, calculates the exact angle and out of it the distance to the object. The calculated distance is either transferred to a serial port or alternatively is converted to a proportional output current. The micro-controller guarantees a very high linearity and accuracy. The combination of photo diode array and micro-controller allows a suppression of interfering reflections and ensures a reliable results even on most critical surfaces.

The sensor automatically adapts to the surface color by a change of its internal sensitivity. This way influences due to the target color are nearly excluded.

An integrated digital output is activated whenever the sensor does not receive enough light (pollution signal), or if no object within the measuring range can be detected at all.



INSTALLATION

Spot laser

The object is sampled by a focussed laser beam. This version is the most preferred within the LAS series.

Line laser

The laser beam is expanded to a fine line, by means of a deflection unit. Typical applications for sampling a target with a line laser are the position or thickness measurements of objects with rough, uneven, porous or interrupted surfaces.

Teach-in function

The desired range can conveniently be adapted within the maximum measurement range by means of the teach-in line or button. The analog output has its full stroke within the teach range. The default configuration uses the maximum measurement range. A separate description of the teach-in procedure is available upon request.

Installation

The first condition for a successful distance measurement is the absence of any obstruction in the light path, as shown in fig. 3. The receiver optics must be able to detect the light spot directly (fig. 1 and 2).

For highly polished or mirror-like objects it is important to keep the direct reflection away from the detector. In these cases, it is recommended to slightly tilt the sensor (fig. 4).

Optimum results are obtained by transverse installation of the sensor with respect to the target movement (fig. 5).

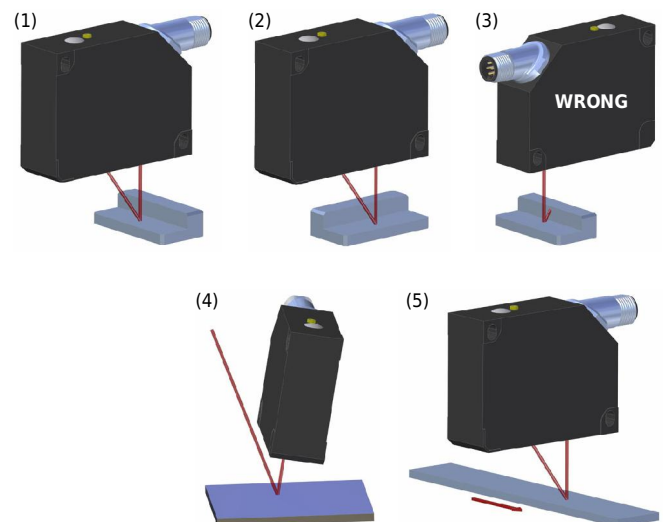
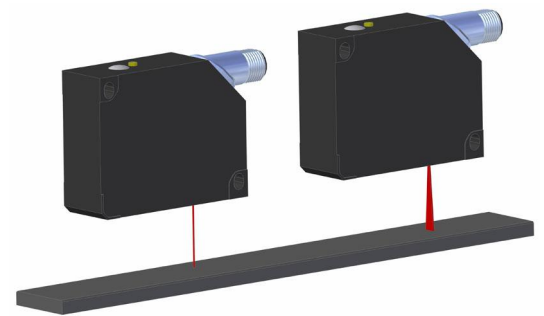
For triangulation sensors, there is a simple rule, that the distance between sensor and target should be as small as possible. The smaller the working range the better the linearity and accuracy.

Electromagnetic compatibility: The sensor must correctly be grounded, a shielded cable is recommended.

Cleaning of the laser window

- 1) dry cleaning with a soft brush
- 2) cleaning with a dry, soft, antistatic cloth
- 3) wet cleaning with clear water, approx. 30 degree Celsius, if necessary with a little mild soap.

Please do NOT use window cleaner!!



OVERVIEW OF THE LAS SERIES

		LAS-TM	LAS-TML	LAS-TB	LAS-T	LAS-TL
Smallest working range within the series *	[mm]	16	50	50	30	30
Largest working range within the series **	[mm]	550	550	200	1000	1000
Smallest measurement range within the series	[mm]	10	300	10	40	40
Largest measurement range within the series	[mm]	500	500	100	800	800
Measuring range teachable		■	■	■	■	■
Smallest linearity error within the series	[mm]	±0,006	±0,05	<0,045	±0,012	±0,012
Best resolution within the series	[mm]	0,002	0,010	<0,015	0,004	0,004
Highest sampling rate within the series	[ms]	<0,9	<0,9	<2	<0,9	<0,9
Spot laser		■			■	
Line laser			■	■		■
Laser class		2	2	1	2	2
Output signal 0...10 V		■	■	■		
Output signal 4...20 mA		■	■	■		
Output signal 0...10 V and 4...20 mA					■	■
Alarm output					PNP	PNP
Connector M8, 4-pole		■	■	■		
Connector M12, 5-pole						
Connector M12, 8-pole					■	■
Special properties		Very compact		Applicable for mat black surfaces		

		LAS-TX	LAS-T5	LAS-Z	LAS-L
Smallest working range within the series *	[mm]	200	30	30	30
Largest working range within the series **	[mm]	13000	600	1000	1000
Smallest measurement range within the series	[mm]	3800	40	20	20
Largest measurement range within the series	[mm]	12800	500	800	800
Measurement range teachable		■	■		
Smallest linearity error within the series	[mm]	+/- 15	+/- 0,012	+/- 0,03	+/- 0,03
Best resolution within the series	[mm]	1,000	0,004	0,010	0,010
Highest sampling rate within the series	[ms]	10	<0,9	<10	<10
Spot laser		■	■	■	
Line laser					■
Laser class		2	2	2	2
Output signal 0...10 V		■ (not for TX-13)	■		
Output signal 4...20 mA		■	■		
Output signal 0...10 V and 4...20 mA				■	■
Alarm output		Push-pull		PNP	PNP
Connector M8, 4-pole					
Connector M12, 5-pole		■	■	■	■
Connector M12, 8-pole					
Special properties		Large working range at min. dimensions	Outstanding price-performance ratio	Discontinued model replaced by LAS-T5	Discontinued model replaced by LAS-TL

* corresponds to the blind range of the sensor

** corresponds to the blind range + the measurement range

TECHNICAL DATA - LAS-TM / LAS-TB SERIES

LAS-TM: Ultra-compact design
Measurement range teachable
Type of analog output selectable

LAS-TB: Tailored for mat black surfaces (with laser line)
Measurement range teachable
Type of analog output selectable



Spot laser		LAS-TM-10	LAS-TM-104	LAS-TM-300	LAS-TM-500	LAS-TB-10	LAS-TB-40	LAS-TB-100	
Line laser				LAS-TML-300	LAS-TML-500				
Measuring range	[mm]	16...26	16...120	50...350	50...550	50...60	60...100	100...200	
Resolution *	[mm]	0,002...0,005	0,002...0,12	0,01...0,40	0,01...1,15	<0,015	0,015...0,038	0,039...0,15	
Linearity error *	[mm]	±0,006...0,015	±0,015...0,35	±0,05...1,2	±0,08...3,5	<0,045	±0,047...0,118	±0,123...0,457	
Min. teach-in range	[mm]	>1	>2	>5	>10	>1	>4	>5	
Reponse time	[ms]	< 0,9			<2				
Sensor element		Photo diode array							
Alarm output		-							
Power-ON indicator		LED green							
Alarm indicator		LED red							
Pollution indicator		LED red flashing							
Supply	[VDC]	12...28							
Max. current consumption	[mA]	100			80				
Load resistance	[Ω]	4...20 mA: <300, 0...10 V: >100 k							
Light source		Laser diode red, pulsed							
Laser class		2			1				
Wavelength	[nm]	650							
Safety features		Protection against reverse polarity and short circuit							
Housing material		Zn		Al			Al		
Protection class		IP67							
Working temperature	[°C]	0...50							
Connection		M8 connector, 4-pole							
Beam diameter spot laser	[mm]	0,5...0,2	0,9...0,5	1,0	1,0				
Beam type, line laser ***									
Beam height	[mm]			4,0...9,0	4,0...11,0	0,1...0,18	0,11...0,45	0,2...0,74	
Width	[mm]			2,0	2,0...1,0	1,1	1,7	2,8...3,7	
Reflectivity of the target	[%]					>0,5	>0,8	>2	
Output signal **		4...20 mA, 0...10 V							

* Values for linearity and resolution are given for a mat white reference surface.

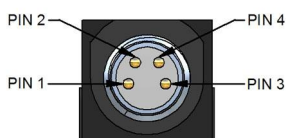
** Type of analog output (4...20 mA or 0...10 V) has to be specified when ordering.

*** The detector calculates an optical (not a mathematical) averaging of the sampled surface, i.e. a kind of a surface integral.

Electrical connection

LAS-TM / TML / TB

Pin	Cable color	Function
1	brown	V +
2	white	Teach-in
3	blue	GND
4	black	Signal +



Alarm output

The alarm output is activated, as soon as the object is outside of the measurement range, or if the received signals are useless for a distance measurement (too low, or too high). In both cases the analog output signal is 4 mA / resp. 0 V.

The sensor has no internal hold function to bridge missing measurement signals. Therefore it may happen in critical applications (extremely bright surfaces) that the output shortly drops to 4 mA / resp. 0V, when the measurement signal gets lost. By checking the status of the alarm output before making a measurement, this false output signal can be identified.

TECHNICAL DATA - LAS-T SERIES

- LAS-T/ -TL:** Universal analog output signal (current and voltage)
 Measurement range teachable
 Synchronization input
 Alarm output



Spot laser		LAS-T-40	LAS-T-100	LAS-T-250	LAS-T-500	LAS-T-800
Line laser		LAS-TL-40	LAS-TL-100	LAS-TL-250	LAS-TL-500	LAS-TL-800
Measuring range	[mm]	30...70	30...130	50...300	100...600	200...1000
Resolution *	[mm]	0,004...0,02	0,005...0,06	0,01...0,33	0,015...0,67	0,02...0,4
Linearity error *	[mm]	±0,012...0,06	±0,015...0,2	±0,03...1,0	±0,05...2	±0,11...1,65
Min. teach-in range	[mm]	>2	>3	>5	>10	>10
Response time	[ms]	< 0,9				< 4
Sensor element		Photo diode array				
Alarm output		PNP				
Max. switching current	[mA]	100				
Power-ON indicator		LED green				
Alarm indicator		LED red				
Pollution indicator		LED red, flashing				
Supply	[VDC]	12...28				
Max. current consumption	[mA]	100				
Load resistance	[Ω]	4...20 mA: <300, 0...10 V: >100 k				
Light source		Laser diode red, pulsed				
Laser class		2				
Wavelength	[nm]	650				
Safety features		Protection against reverse polarity and short circuit				
Housing material		Zn				Al
Protection class		IP67				
Working temperature	[°C]	0...50				
Connection		M12 connector, 8-pole				
Beam diameter spot laser	[mm]	1,0...0,2	2,0...1,0	2,0	2,0	2,0
Beam type line laser ***						
Beam height	[mm]	2,0	3,0...5,0	4,0...12	5,5...21	8,5...35
Width	[mm]	1,0...0,2	2,0...1,0	2,5	3	2,5
Output signal **		4...20 mA, 0...10 V				

* Values for linearity and resolution are given for a mat white reference surface.

** Automatic output selection: Depending on the connected impedance, current or voltage output becomes active.

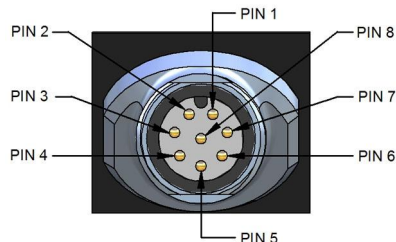
The output must be wired before switching on.

*** The detector calculates an optical (not a mathematical) averaging of the sampled surface, i.e. a kind of a surface integral.

Electrical connection

LAS-T/ LAS-TL

Pin	Cable color	Function
1	white	n. c.
2	brown	V +
3	green	4...20 mA
4	yellow	Teach-in
5	grey	Alarm
6	pink	0...10 V
7	blue	GND
8	red	Synchro-in



Alarm output

The alarm output is activated, as soon as the object is outside of the measurement range, or if the received signals are useless for a distance measurement (too low, or too high). In both cases the analog output signal is 4 mA / resp. 0 V.

The sensor has no internal hold function to bridge missing measurement signals. Therefore it may happen in critical applications (extremely bright surfaces) that the output shortly drops to 4 mA / resp. 0V, when the measurement signal gets lost. By checking the status of the alarm output before making a measurement, this false output signal can be identified.

TECHNICAL DATA - LAS-TX SERIES

- LAS-TX:** Ultra-compact design
 Large working range
 Measurement range teachable
 Type of analog output selectable
 Phase comparison measurement



		LAS-TX-4	LAS-TX-13
Measuring range	[mm]	200...4000	200...13000
White 90%	[mm]	200...4000	200...13000
Grey 18%	[mm]	200...4000	200...9000
Black 6%	[mm]	200...4000	200...4000
Resolution *	[mm]	1,3	5
Linearity error *	[mm]	±15	±15
Repeatability **	[mm]	±5	±15
Min. teach-in range	[mm]	>100	
Sampling rate	[ms]	10	
Power ON indicator		LED green	
Alarm indicator		LED red	
Alarm output		Push-pull	
Output current	[mA]	<100	
Pollution indicator		LED red, flashing	
Supply	[VDC]	15...28	
Current consumption	[mA]	typ. 110 at 24 VDC, max. 250	
Load resistance	[Ω]	4...20 mA: <300, 0...10 V: >100 k	
Light source		Laser diode red, pulsed	
Laser class		2	
Wavelength	[nm]	660	
Safety features		Protection against reverse polarity and short circuit	
Housing material		Al	
Protection class		IP67	
Working temperature	[°C]	-25...50	
Connection		M12 connector, 5-pole	
Beam diameter spot laser	[mm]	5...20	5...50
Analog output		4...20 mA or 0...10 V ***	4...20 mA

* Values for linearity and resolution are given for a mat white reference surface.

** at 40 kLux ambient light

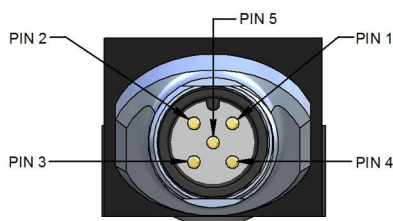
*** Type of analog output (4...20 mA or 0...10 V) has to be specified when ordering.

Electrical connection

LAS-TX

connector, 5-pole, KSP cable

Pin	Cable color	Function
1	brown	V +
2	white	Signal
3	blue	GND
4	black	Alarm
5	grey	Teach-in



Alarm output

The alarm output is activated, as soon as the object is outside of the measurement range, or if the received signals are useless for a distance measurement (too low, or too high). In both cases the analog output signal is 4 mA / resp. 0 V.

The sensor has no internal hold function to bridge missing measurement signals. Therefore it may happen in critical applications (extremely bright surfaces) that the output shortly drops to 4 mA / resp. 0V, when the measurement signal gets lost. By checking the status of the alarm output before making a measurement, this false output signal can be identified.

TECHNICAL DATA - LAS-T5 SERIES

LAS-T5: Low-price instruments for conventional applications.

Measuring range teachable.

Type of analog output selectable.



		LAS-T5-40	LAS-T5-100	LAS-T5-250	LAS-T5-500
Measuring range	[mm]	30...70	30...130	50...300	100...600
Resolution *	[mm]	0,004...0,02	0,005...0,06	0,01...0,33	0,015...0,67
Linearity error *	[mm]	±0,012...0,06	±0,015...0,2	±0,03...1	±0,05...2
Minimum Teach-in-range	[mm]	>2	>3	>5	>10
Response time	[ms]	< 0,9			
Sensor element		Photo diode array			
Power ON indicator		LED green			
Alarm lamp		LED red			
Pollution indicator		LED red, flashing			
Supply	[VDC]	12...28			
Max. current consumption	[mA]	100			
Load resistance	[Ω]	4...20 mA: <300, 0...10 V: >100 k			
Light source		Laser diode red, pulsed			
Laser class		2			
Wavelength	[nm]	650			
Safety features		Protection against reverse polarity and short circuit			
Housing material		Zn			
Protection class		IP67			
Working temperature	[°C]	0...50			
Connection		M12 plug, 5-pole			
Beam diameter spot laser	[mm]	1...0,2	2...1	2,0	2,0
Analogue output **		4...20 mA, 0...10 V			

* Values for linearity and resolution are given for a mat white reference surface.

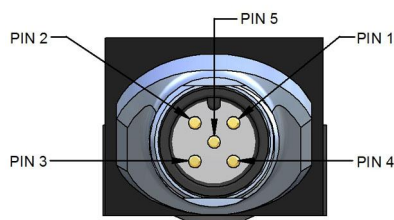
** Type of analog output (4...20 mA or 0...10 V) has to be specified when ordering.

Electrical connection

LAS-T5

connector, 5-pole, KSP cable

Pin	Cable color	Function
1	brown	V +
2	white	Signal
3	blue	GND
4	black	n. c.
5	grey	Teach-in



Alarm output

The alarm output is activated, as soon as the object is outside of the measurement range, or if the received signals are useless for a distance measurement (too low, or too high). In both cases the analog output signal is 4 mA / resp. 0 V.

The sensor has no internal hold function to bridge missing measurement signals. Therefore it may happen in critical applications (extremely bright surfaces) that the output shortly drops to 4 mA / resp. 0V, when the measurement signal gets lost. By checking the status of the alarm output before making a measurement, this false output signal can be identified.

TECHNICAL DATA - LAS-Z, LAS-L SERIES

The production of this model will be discontinued soon.

Please do not use this model for new constructions!

The model is replaced by LAS-T5.



Spot laser		LAS-Z-20	LAS-Z-100	LAS-Z-120	LAS-Z-200	LAS-Z-400	LAS-Z-800
Line laser		LAS-L-20	LAS-L-100	LAS-L-120	LAS-L-200	LAS-L-400	LAS-L-800
Measurement range	[mm]	30...50	30...130	200...320	50...250	100...500	200...1000
Resolution *	[mm]	0,01	0,05...0,07	0,20	0,1...0,3	0,2...0,5	0,6...2,5
Linearity error *	[mm]	±0,03	±0,15...0,22	±0,60	±0,3...0,8	±0,8...2	±2,4...10
Response time	[ms]	< 10					
Sensor element		Photo diode array					
Alarm output		PNP					
Max. switching current	[mA]	100					
Power ON indicator		LED green					
Alarm indicator		LED red					
Pollution indicator		LED red, flashing					
Supply	[VDC]	12...28					
Max. current consumption	[mA]	<100					
Light source		Laser diode red, pulsed					
Laser class		2					
Wavelength	[nm]	650					
Safety features		Protection against reverse polarity and short circuit					
Housing material		Zn					
Protection class		IP67					
Working temperature	[°C]	0...50					
Beam diameter spot laser	[mm]	1,0...0,4	2,0...1,0	2,0	2,0	2,0	2,0
Beam type line laser ***							
Beam height	[mm]	2,0	3,0...5,0	-	4,0...10,0	5,5...18,0	8,5...35,0
Width	[mm]	1,0...0,4	2,0...1,0	-	2,5	2,5	2,5
Analog output **		Dual output, 4...20 mA and 0... 10 V					
RS485		upon request					

* Values for linearity and resolution are given for a mat white reference surface.

** Automatic output selection: Depending on the connected impedance, current or voltage output becomes active. The output must be wired before switching on.

*** The detector calculates an optical (not a mathematical) averaging of the sampled surface, i.e. a kind of a surface integral.

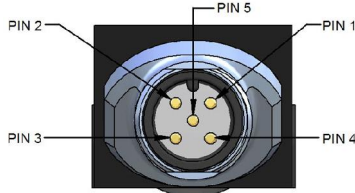
ELECTRICAL CONNECTION

LAS-Z/ LAS-L

connector 5-pole, cabel K5P

Pin	Cable color	Funktion
-----	-------------	----------

1	brown	V +
2	white	Alarm
3	blue	GND
4	black	4...20 mA
5	grey	0...10 V

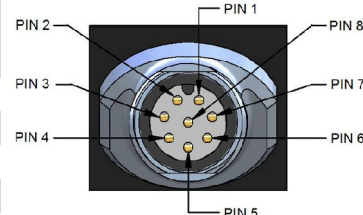


LAS-Z/ LAS-L with RS485

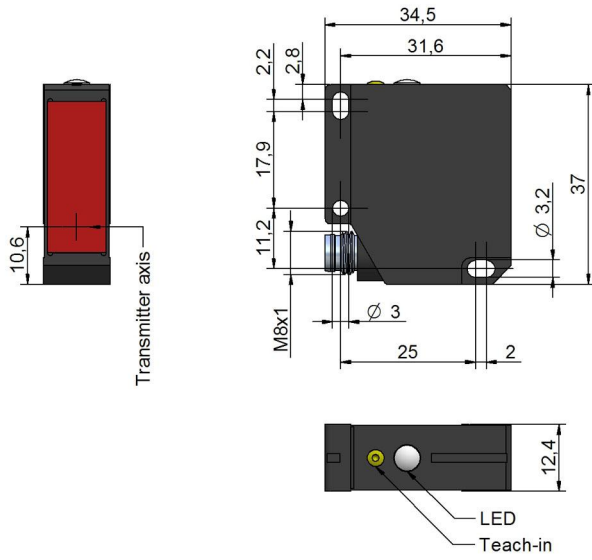
connector, 8-pole, K8P cable

Pin	Cable color	Function
-----	-------------	----------

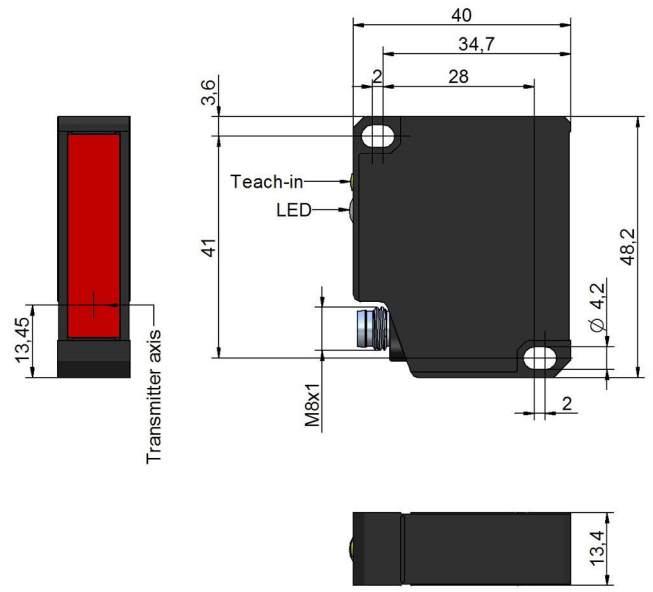
1	white	Rx/Tx-
2	brown	V +
3+8	green+red	n. c.
4	yellow	Switching output
5	grey	Alarm
6	pink	Rx/Tx+
7	blue	GND



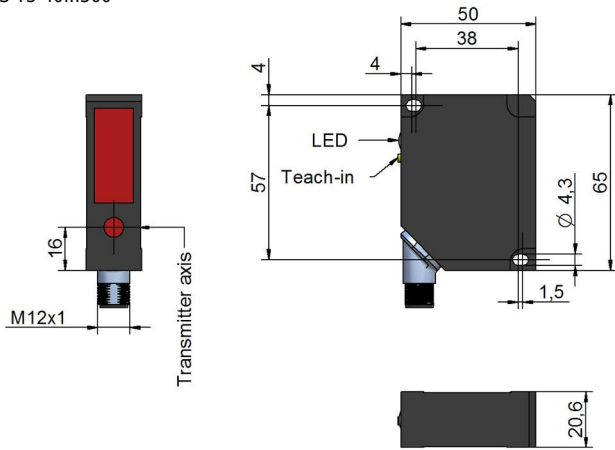
LAS-TM-10 / LAS-TM-104



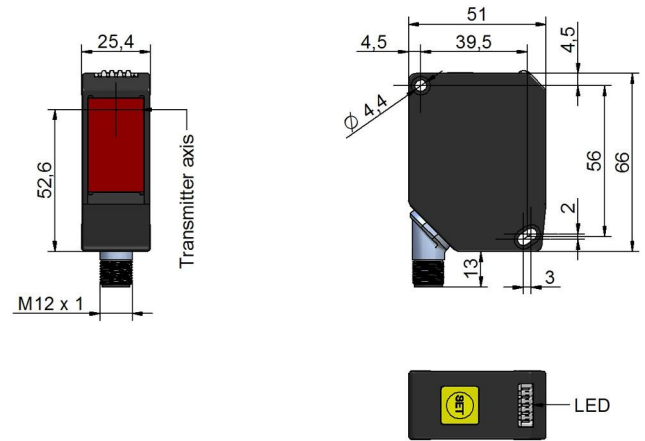
LAS-TM-300 / LAS-TM-500 / LAS-TB-10 / LAS-TB-40 / LAS-TB-100



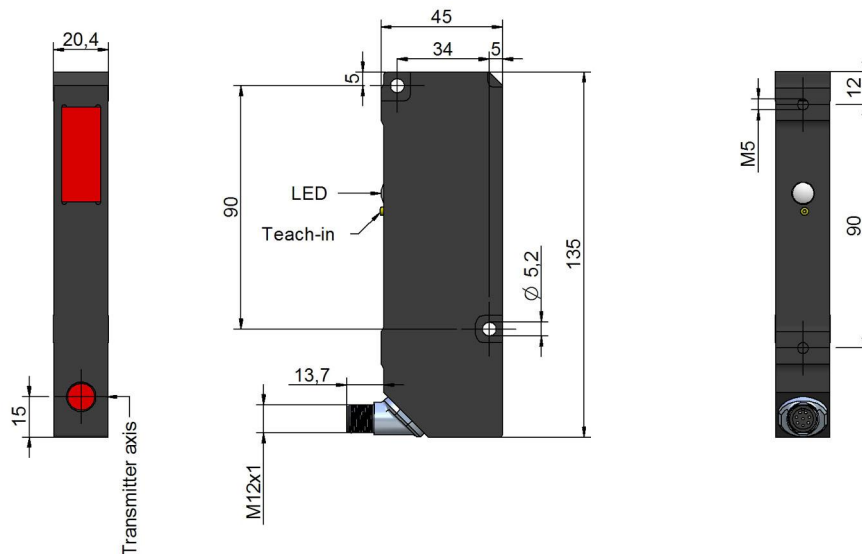
LAS-Z-20...800 / LAS-L-20...800 / LAS-T-40...500 / LAS-TL-40...500 / LAS-T5-40...500



LAS-TX-4 / LAS-TX-13

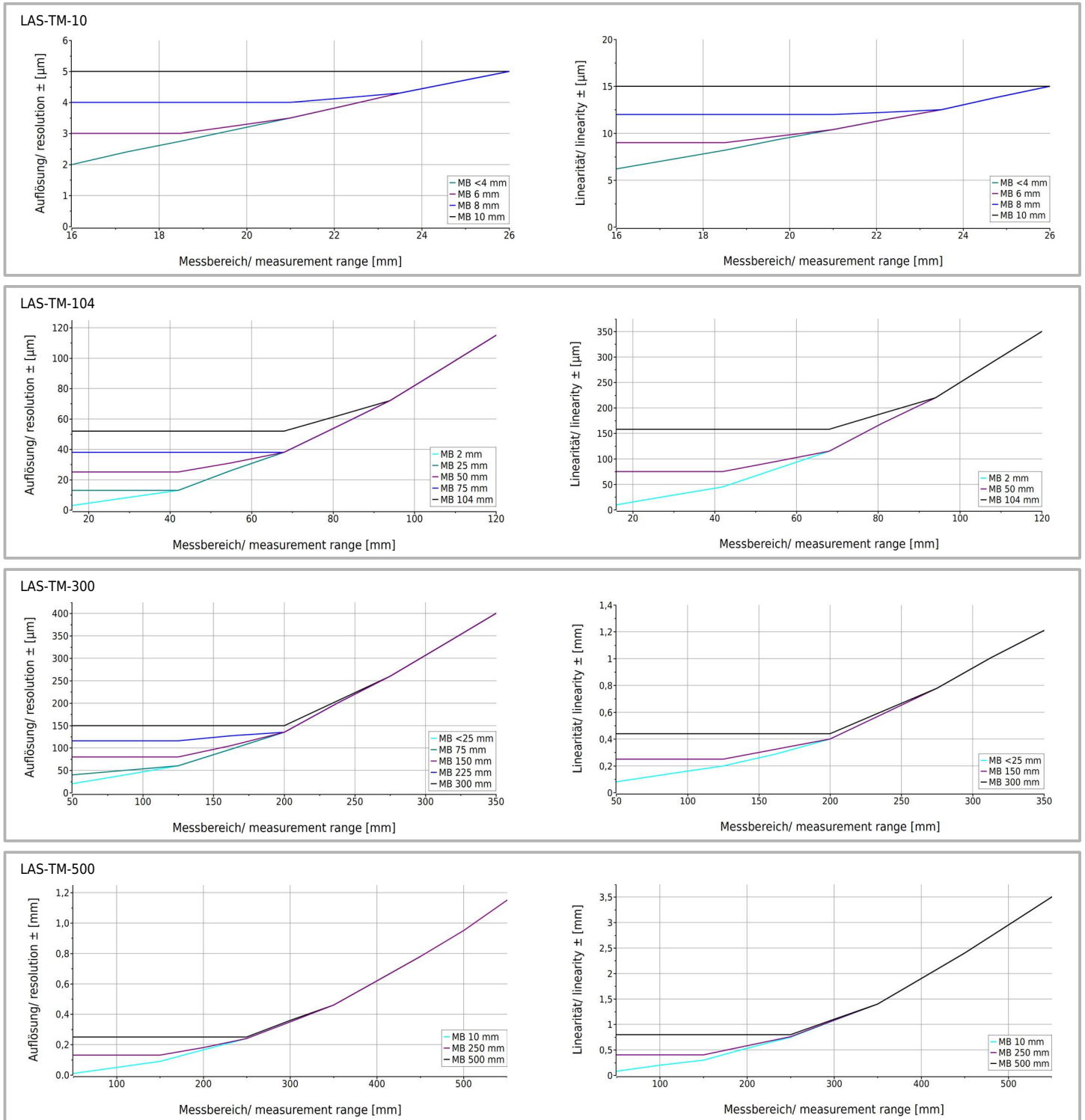


LAS-T-800 / LAS-TL-800



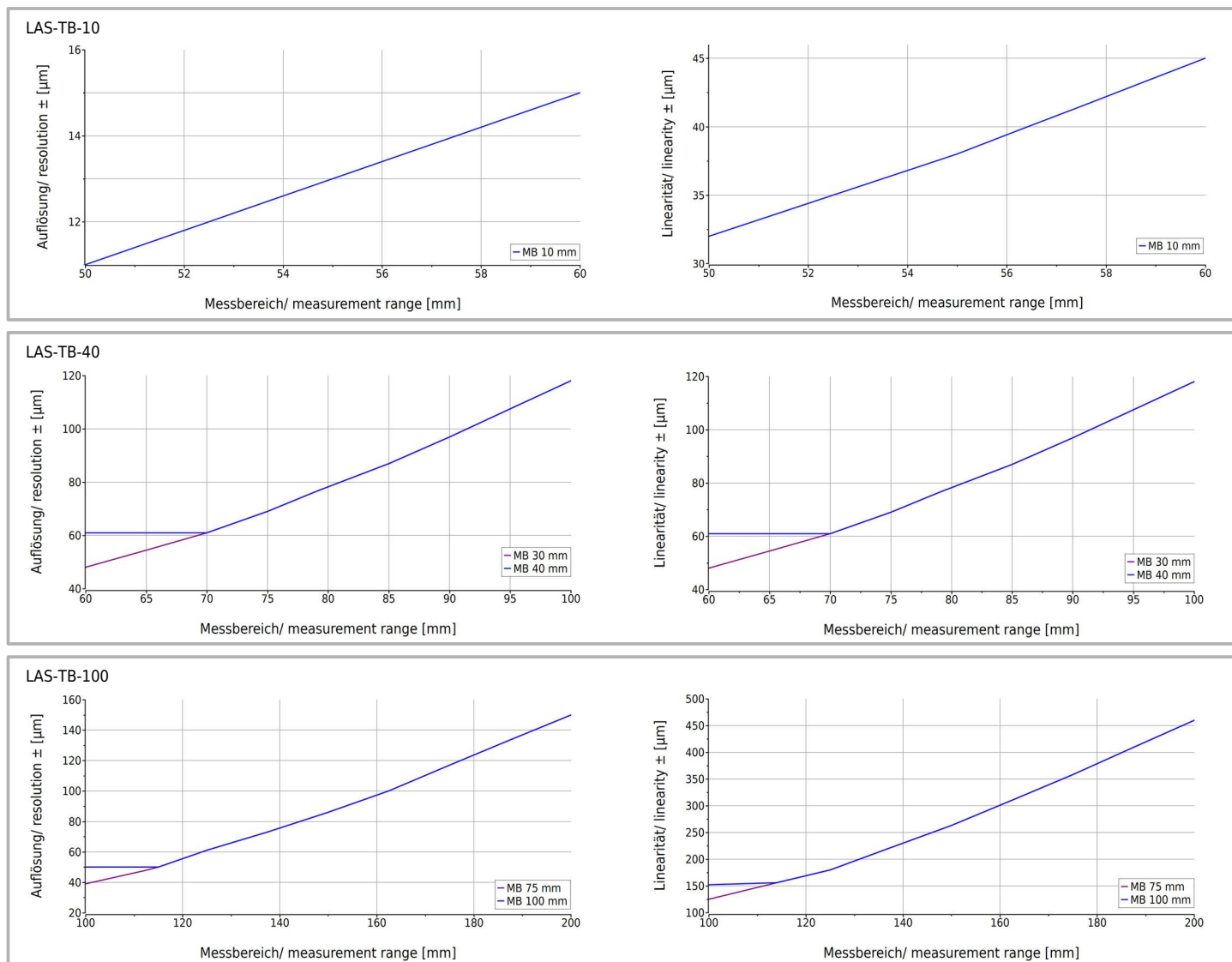
LINEARITY / RESOLUTION - LAS-TM SERIES

When teaching the measurement range, it is recommended always to select the smallest possible range, because this way the resolution is increased and the linearity error decreased. Also keep in mind that the distance between sensor and target should be as small as possible.



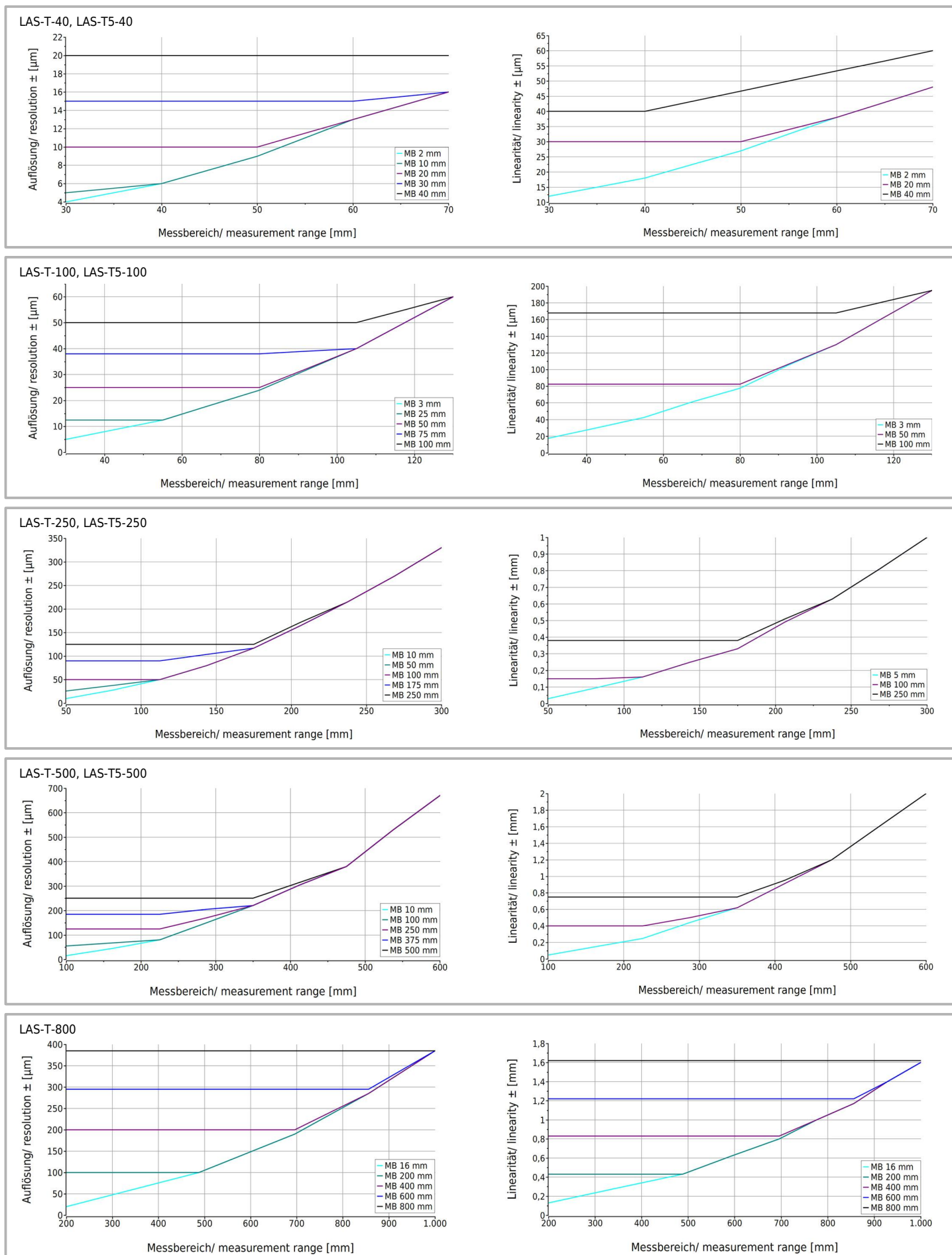
LINEARITY / RESOLUTION - LAS-TB SERIES

When teaching the measurement range, it is recommended always to select the smallest possible range, because this way the resolution is increased and the linearity error decreased. Also keep in mind that the distance between sensor and target should be as small as possible.

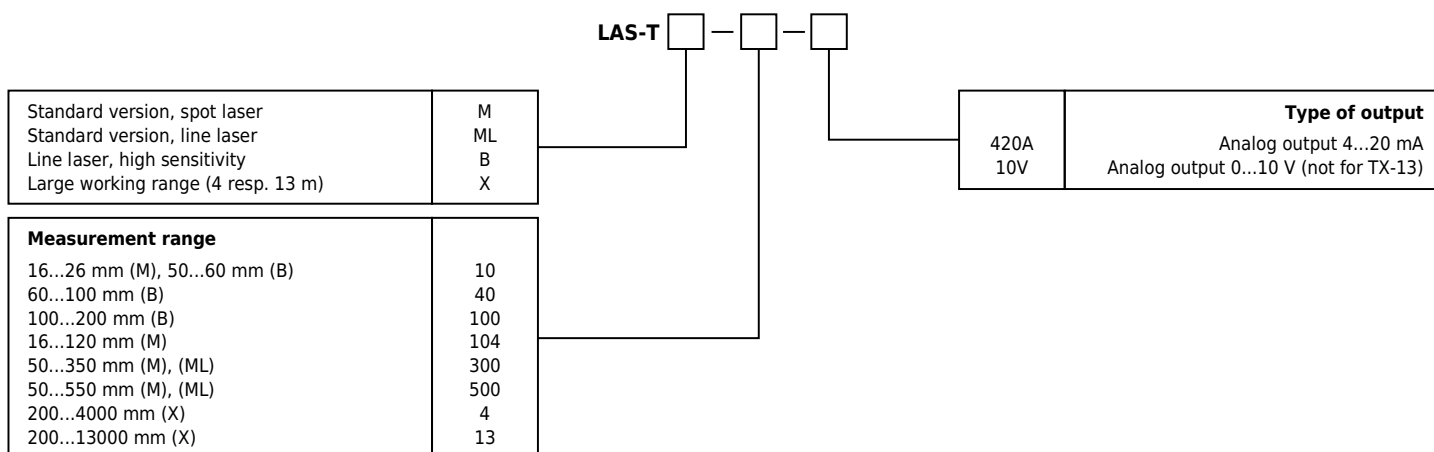


LINEARITY / RESOLUTION - LAS-T, LAS-T5 SERIES

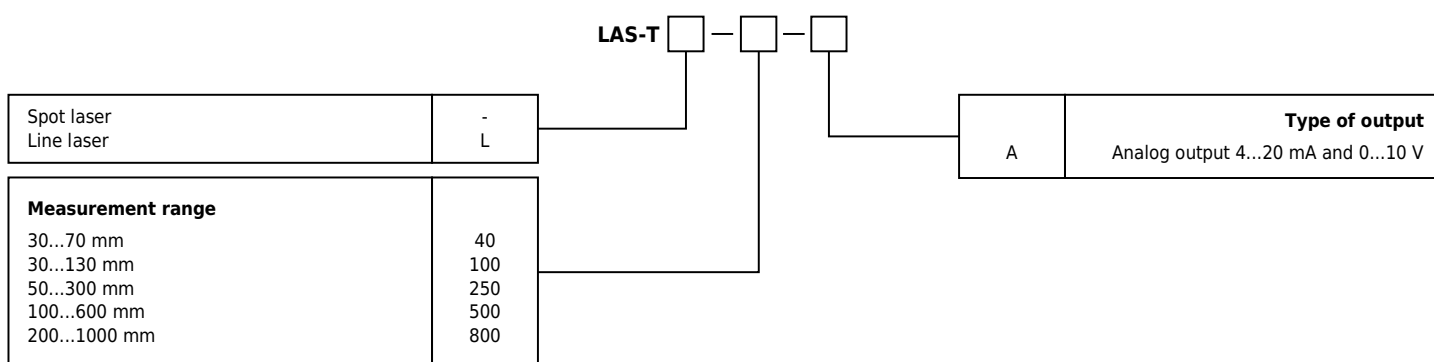
When teaching the measurement range, it is recommended always to select the smallest possible range, because this way the resolution is increased and the linearity error decreased. Also keep in mind that the distance between sensor and target should be as small as possible.



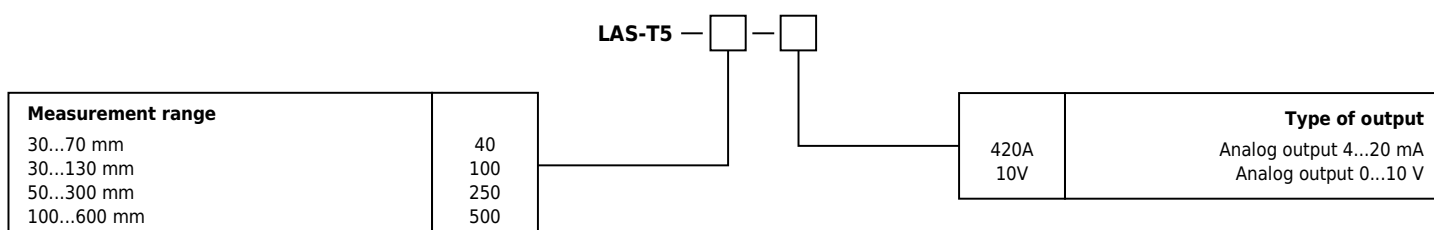
ORDER CODE LAS-TM / LAS-TML / LAS-TB / LAS-TX



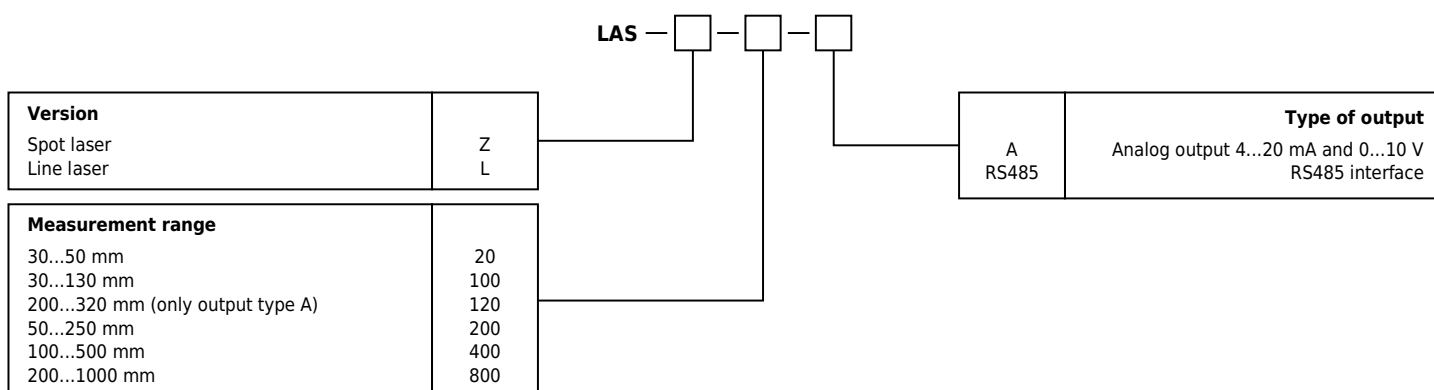
ORDER CODE LAS-T / LAS-TL



ORDER CODE LAS-T5



ORDER CODE LAS-Z / LAS-L (WILL BE DISCONTINUED SOON)



ACCESSORIES

Connection cable

Cable, 4-pole, shielded, with mating M8 connector

for LAS-TM / LAS-TML / LAS-TB series

K4P2M-S-M8 2 m, connector straight

K4P5M-S-M8 5 m, connector straight

Cable, 5-pole, shielded, with mating M12 connector

for LAS-Z/L-A / LAS-T5 / LAS-TX series

K5P2M-S-M12 2 m, connector straight

K5P5M-S-M12 5 m, connector straight

K5P10M-S-M12 10 m, connector straight

K5P2M-SW-M12 2 m, connector angular

K5P5M-SW-M12 5 m, connector angular

K5P10M-SW-M12 10 m, connector angular

Connection cable

Cable, 8-pole, shielded, with mating M12 connector

for LAS-T and LAS-Z/L-RS485 series

K8P2M-S-M12 2 m, connector straight

K8P5M-S-M12 5 m, connector straight

K8P10M-S-M12 10 m, connector straight

K8P2M-SW-M12 2 m, connector angular

K8P5M-SW-M12 5 m, connector angular

K8P10M-SW-M12 10 m, connector angular

General safety instructions

Attention radiation laser.

Do not stare into beam.

Do not point the laser beam towards someone's eye.

It is recommended to stop the beam by a matte object or matte metal shield.

Laser regulations require the power to the sensor be switched off when turning off the whole system this sensor is part off.