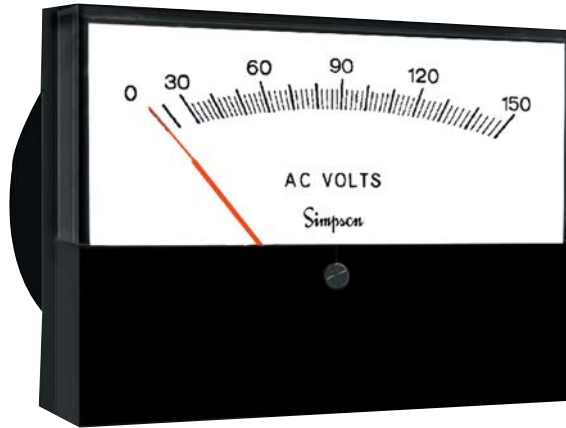




# Designer Style Analog Panel Meters



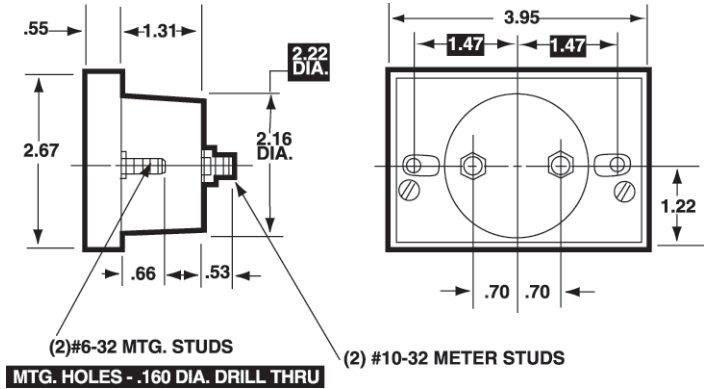
- **Clean, uncluttered design offers maximum visibility in minimum required height**
- **Glass window for optimum viewing**
- **Rugged black plastic case**
- **Red knife-edge pointer for precision readability**

## Specifications

|                               |  |
|-------------------------------|--|
| <b>Accuracy:</b>              | ±2% F.S.   |
| <b>Movement:</b>              | AC/Iron-vane, magnetically damped, DC Annular  |
| <b>Tracking:</b>              | ±3%  |
| <b>Response Time:</b>         | 1.5 seconds maximum  |
| <b>Overload (1 sec.):</b>     | 10 times F.S.  |
| <b>Overload (Continuous):</b> | 1.5 times F.S.   |
| <b>Repeatability:</b>         | 2%, 5% for taut band   |
| <b>Dial:</b>                  | Sharp clear scale. Each dial arc is calibrated to track the specific type of movement used.    |
| <b>Case:</b>                  | High density black plastic   |
| <b>Resistance:</b>            | ±15% of meter impedance  |
| <b>Operating Temperature:</b> | -4°F to +149°F (-20°C to +65°C)  |
| <b>Pointer:</b>               | Red, knife-edge  |
| <b>Scale Length:</b>          | Model 553: 2.69" (68.3mm) 523: 2.92" (74.2mm)<br>Model 554: 2.84" (72.1mm) 524: 3.25" (82.5mm) |
| <b>Net Weight:</b>            | Model 553: 5oz (0.14kg) 523: 9 oz (0.26kg)<br>Model 554: 6oz (0.17kg) 524: 10 oz (0.28kg)      |

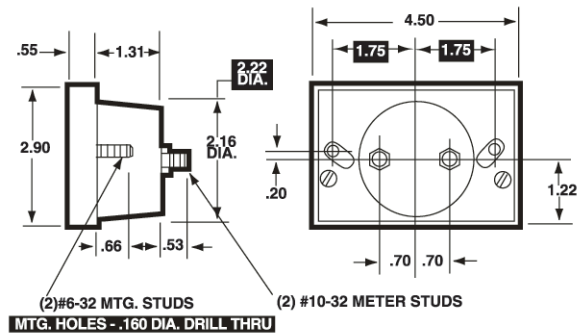
## Dimensions

### 3 - 1/2"-Models 523, 523T, 554



1 = Panel Meter Cut-out Dimensions

### 4 - 1/2"-Model 524, 524T, 554



## Ordering Information

### AC Ammeters, Iron-Vane Movement

| Range | Approx. Impedance (Ohms) @60Hz | Model/Size and Catalog Number |                  |
|-------|--------------------------------|-------------------------------|------------------|
|       |                                | 3-1/2" Model 553              | 4-1/2" Model 554 |
| 0-1   | .213                           | 15049                         | 15121            |
| 0-5   | .008                           | 15050                         | 15120            |
| 0-10  | .004                           | 15052                         | 15122            |
| 0-15  | .0025                          | 15051                         | 15123            |
| 0-25  | .002                           | 15053                         | 15125            |
| 0-50  | .001                           | 15054                         | 15124            |
| 0-100 | .008                           | 15056†                        | 15127†           |
| 0-150 | .008                           | 15057†                        | 15128†           |

† Requires external current transformer from page C3-C4



# Designer Style Analog Panel Meters



## Ordering Information

### AC Voltmeters, Iron-Vane Movement

| Range  | Approx. Impedance (Ohms) @ 60Hz | Model/Size and Catalog Number |                  |
|--------|---------------------------------|-------------------------------|------------------|
|        |                                 | 3-1/2" Model 553              | 4-1/2" Model 554 |
| 0-150* | 25,000                          | 15060                         | 15130            |
| 0-250* | 41,166                          | 15061                         | 15131            |
| 0-300* | 50,000                          | 15062                         | 15132            |

\*Rectifier movements are available on special order.

### DC Microammeters, Self-Shielding Movement

| Range     | Approx. Impedance (Ohms) @ 60 Hz | Model/Size and Catalog Number |                  |
|-----------|----------------------------------|-------------------------------|------------------|
|           |                                  | 3-1/2" Model 523              | 4-1/2" Model 524 |
| 0-50      | 1800                             | 15017                         | 15087            |
| 0-100     | 1800                             | 15019                         | 15089            |
| 0-200     | 1100                             | 15021                         | 15091            |
| 0-500     | 90                               | 15022                         | 15093            |
| 25-0-25   | 1800                             | 15023                         | 15094            |
| 50-0-50   | 1800                             | 15025                         | 15095            |
| 100-0-100 | 1100                             | 15027                         | 15097            |
| 500-0-500 | 43                               | 15024                         | 15096            |

### DC Taut-Band Microammeters, Self-Shielding Movement

| Range | Approx. Impedance (Ohms) @ 60 Hz | Model/Size and Catalog Number |                   |
|-------|----------------------------------|-------------------------------|-------------------|
|       |                                  | 3-1/2" Model 523T             | 4-1/2" Model 524T |
| 0-15  | 1960                             | 15014                         | 15092             |
| 0-25  | 2100                             | 15015                         | 15085             |

### DC Milliammeters, Self-Shielding Movement

| Range | Approx. Impedance (Ohms) @ 60 Hz | Model/Size and Catalog Number |                  |
|-------|----------------------------------|-------------------------------|------------------|
|       |                                  | 3-1/2" Model 523              | 4-1/2" Model 524 |
| 0-1   | 43.0                             | 15000                         | 15070            |
| 0-5   | 2.0                              | 15001                         | 15076            |
| 0-10  | 10.0                             | 15002                         | 15077            |
| 0-50  | 2.0                              | 15003                         | 15078            |
| 0-100 | 1.0                              | 15010                         | 15080            |
| 0-200 | .5                               | 15004                         | 15079            |
| 0-300 | .33                              | 15012                         | 15081            |
| 0-500 | .2                               | 15013                         | 15082            |

### DC Ammeters, Self-Shielding Movement

| Range | Approx. Impedance (Ohms) @ 60 Hz | Model/Size and Catalog Number |                    |
|-------|----------------------------------|-------------------------------|--------------------|
|       |                                  | 3 - 1/2" Model 523            | 4 - 1/2" Model 524 |
| 0-1   | .050                             | 15031                         | 15101              |
| 0-3   | .0166                            | 15032                         | 15102              |
| 0-5   | .010                             | 15033                         | 15103              |
| 0-10  | .005                             | 15030                         | 15100              |
| 0-15  | .0033                            | 15034                         | 15104              |
| 0-25  | .0020                            | 15035                         | 15105              |
| 0-50  | .001                             | 15036                         | 15106              |

### DC Millivoltmeters, Self-Shielding Movement

| Range | Approx. Impedance (Ohms) @ 60 Hz | Model/Size and Catalog Number |                    |
|-------|----------------------------------|-------------------------------|--------------------|
|       |                                  | 3 - 1/2" Model 523            | 4 - 1/2" Model 524 |
| 0-50  | 10.0                             | 15048                         | 15118              |

### DC Voltmeters, Self-Shielding Movement

| Range | Approx. Impedance (Ohms) @ 60 Hz | Model/Size and Catalog Number |                    |
|-------|----------------------------------|-------------------------------|--------------------|
|       |                                  | 3 - 1/2" Model 523            | 4 - 1/2" Model 524 |
| 0-5   | 1000 ohms per volt               | 15038                         | 15108              |
| 0-10  |                                  | 15039                         | 15109              |
| 0-15  |                                  | 15040                         | 15110              |
| 0-30  |                                  | 15042                         | 15112              |
| 0-50  |                                  | 15044                         | 15114              |
| 0-100 |                                  | 15045                         | 15111              |
| 0-150 |                                  | 15046                         | 15116              |