

Agma 22

磁吸合液位开关
Level regulator with magnetic hook-up

Agma22 液位开关直接与水泵联接，特别适用于细井。因为普通的液位开关需要一定的工作动作空间。本专利产品是由圆筒内的浮动磁铁与上顶部磁铁吸合而进行开关动作，当浮动磁铁接近上部磁铁时吸引微动开关杠杆。微动开关的完全密封可以保证液位开关的长期使用。

The Agma 22 level regulator is a very useful instrument when used directly on pumps which must work in very small wells, for which the common float switch would not have enough room to work. The patented instrument, with magnetic coupling is composed of a float which runs inside a cylinder and has a magnet on top, which, when it is near the upper side, attracts the microswitch lever. The microswitch is placed in a completely sealed box which guarantees a long life to the instrument.



技术规格	
壳体	无素PP - 无素PC
微动开关容量	20(8)A 250V~
工作温度	0° ÷ + 50° C
存放温度	-20°C ÷ + 80° C
工作制	连续工作
保护等级	头部开关完全密封结构
最大工作压力	0,5 bar
位差	cm. 7-8
重量	300克

General features	
Housing	Non toxic PP - Non toxic PC
Microswitch electrical features	20(8)A 250V~
Operating temperature	0 °C ÷ +50 °C
Storage temperature	-20 °C ÷ +80 °C
Service	Continuous
Protection grade	The microswitch head is of watertight construction
Max pressure working	0,5 bar
Differential	cm 7 - 8
Weight	gr. 300

A型Agma	
2线型	
输出电缆	2 根25 cm PVC电线.
功能等级	II
编码	AG00000000
带手动转换编码	AG00000010
带接地3线型	
输出电缆	3根25 cm PVC电线
认证	ENEC
功能等级	I
编码	AG0H000000
带手动转换编码	AG0H000010

Agma Type A	
Two Wire Model	
Output cable	Two fireproof PVC wires cm 25
Function class	II
Code	AG00000000
Code with manual selector	AG00000010
Three Wire Model With Ground	
Output cable	Three fireproof PVC wires cm 25
Function class	I
Code	AG0H000000
Code with manual selector	AG0H000010

B型Agma

H07RN-F 2X1 电缆型

输出电线	H07RN-F 2X1 cm.50
认证	ENEC
功能等级	II
编码	AG0NC50000
带手动转换编成	AG0NC50010

带接地H07RN-F 3G1型

输出电线	H07RN-F 3G1 cm.50
认证	ENEC
功能等级	I
编码	AG0HC50000
带手动转换编成	AG0HC50010

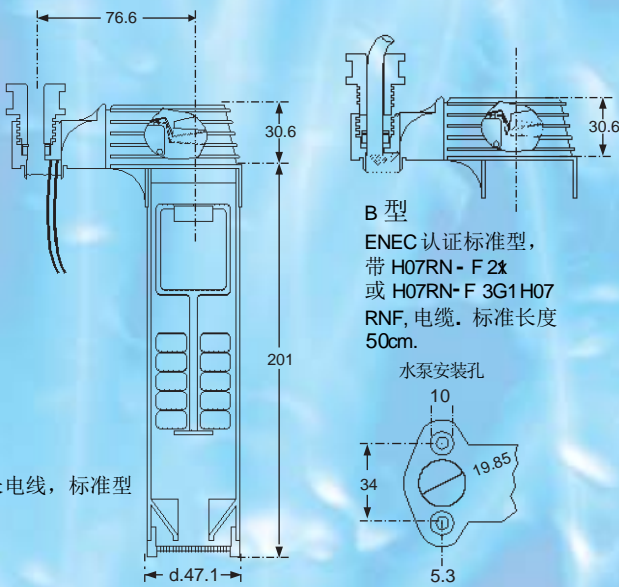
Agma Type B

Model H07RN-F 2X1 Cable

Output cable	H07RN-F 2X1 cm.50
Approval	ENEC
Function class	II
Code	AG0NC50000
Code with manual selector	AG0NC50010

Model H07RN-F 3G1 Cable With Ground Wire

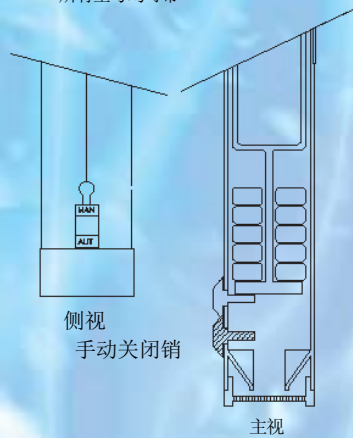
Output cable	H07RN-F 3G1 cm.50
Approval certificates	ENEC
Function class	I
Code	AG0HC50000
Code with manual selector	AG0HC50010



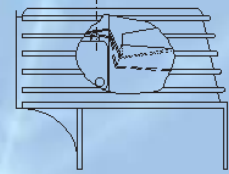
B 型
ENEC 认证标准型，
带 H07RN - F 2x
或 H07RN- F 3G1 H07
RNF, 电缆。标准长度
50cm.

水泵安装孔

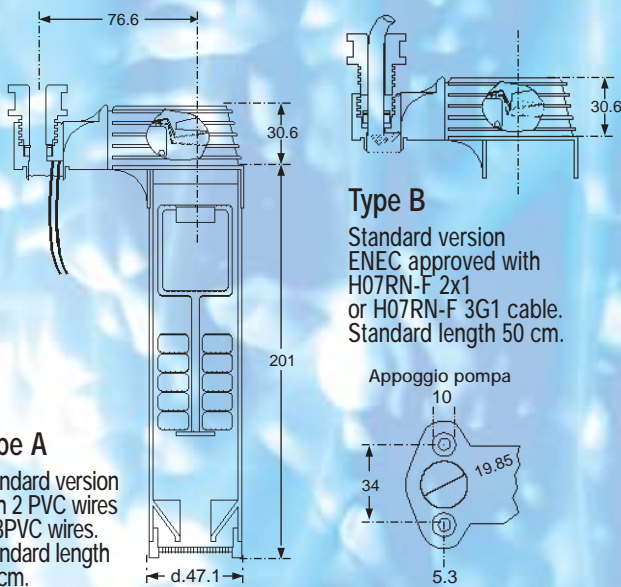
带手动 自动转换型
所有型号均可带



接地片



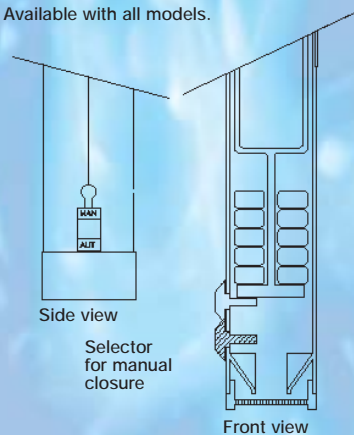
A 型
带2根25cm长电线，标准型



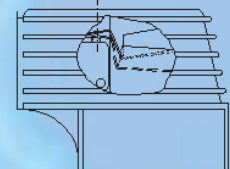
Type B
Standard version
ENEC approved with
H07RN-F 2x1
or H07RN-F 3G1 cable.
Standard length 50 cm.

Appoggio pompa

Version with automatic/manual selector.
Available with all models.



Ground plate



Enlarged detail of the
version with the ground plate.

Type A
Standard version
with 2 PVC wires
or 3PVC wires.
Standard length
25 cm.