

## Product Features:

- 125 Watt Modular Power Supply
- Universal AC Input Range (90-264 VAC)
- Optional Power Factor Correction (CCH Models)
- Low Profile for 1U High Applications
- Meets VDE/FCC Class "B" EMI
- Industry Standard 3 x 5" Footprint
- Total Power Overload Limit Protection
- Over-Current Protection
- International Safety Certifications - UL, CSA, TUV & CE Mark (LVD)



| FEATURES                       | BENEFITS  | KEY MARKET SEGMENTS & APPLICATIONS |                           |
|--------------------------------|---|------------------------------------|---------------------------|
| PFC Compliant to EN61000-3-2   | Supports global use of power supply                   | ■ Automation Equipment             | ■ Industrial Applications |
| Input protection per EN61000-4 | Designed to operate in harsh environmental conditions | ■ Gaming Application               | ■ Computer Peripherals    |
| Economical                     | Lowered system costs                                  | ■ Point of Sale Equipment          | ■ Test Equipment          |
| Flexibility with options       | Custom capability without NRE & long lead-times       | ■ Networking / Datacom             |                           |

| SPECIFICATIONS              | 125 Watt Single Output Switching Power Supply  |
|-----------------------------|--|
| Input Voltage Range         | Universal AC Input (90-264VAC; 47-63Hz)  |
| Harmonic Current            | 0.99 Power Factor (EN61000-3-2 Class D Compliant)  |
| Inrush Current (Cold Start) | 25A @ 115VAC   |
| Input Protection            | Single fuse (6.3A / 250VAC / Slow Blow)  |
| EMI                         | FCC and VDE Level "B" (Conducted)  |
| Efficiency                  | 75% typical (measured at full load)  |
| Maximum Output Power        | 125 Watts Continuous   |
| Total Power Over-Load Limit | Set at 138W typical by sensing the primary input current   |
| Voltage Adjustment Range    | +/-5%  |
| Regulation                  | +/-2% max  |
| Output Ripple & Noise       | 1% pk-pk @ 20MHz with 0.1 F ceramic and 10 F electrolytic caps across the output   |
| Over Voltage Protection     | 112.75 - 137.5%  |
| Over Current Limit          | 110-135% of Iout Nominal. Output recovers when the fault is removed  |
| Hold-Up Time                | 16ms min at 115 VAC / 60Hz Input and 84 Watt Output Operation  |
| Operating Temperature       | Full load from 0 to 50°C. Derates linearly from 50°C to 65°C at 2.5% per °C  |
| Status & Control            | Remote Sense (compensates for up to 250mV Drop)<br>Remote on/off Control (A low signal turns the power supply off)<br>AC FAIL: Signal is high when AC input voltage signal is within specified regulation.<br>DC Good (PS OK): Signal is High when DC output voltage is within regulation. |
| Shock & Vibration           | Shock (11 ± 3ms, 3 axes, Half Sine): 15Gpk, Vibration (Random vibration, 5-500Hz, 10min each axis: 2.4Grms)  |
| Dimensions                  | 3.00 x 5.00 x 1.25" (215.9mm x 125.7mm x 38.1mm) for standard open frame model   |
| Safety Approvals            | UL 60950-1, CUL CSA 60950-1, TUV IEC 60950-1, CE Mark (LVD)  |

### Output Configurations

| MODEL NUMBER | V1 OUTPUT |        |        |
|--------------|-----------|--------|--------|
|              | Vout      | Io Min | Io Max |
| CCH125F1     | 12        | 0.4 A  | 10.5 A |

Specifications listed assume 25°C Ambient Operating Temperature and Full Load Operation unless otherwise specified. This product is qualified for use in OEM equipment and is not appropriate for stand-alone operation. The information contained within this specification is believed to be true and correct at the time of publication, however, Cherokee International accepts no responsibility for consequences arising from printing errors or inaccuracies. The information and specifications contained herein are subject to change without notice.

#### Cherokee International (North America)

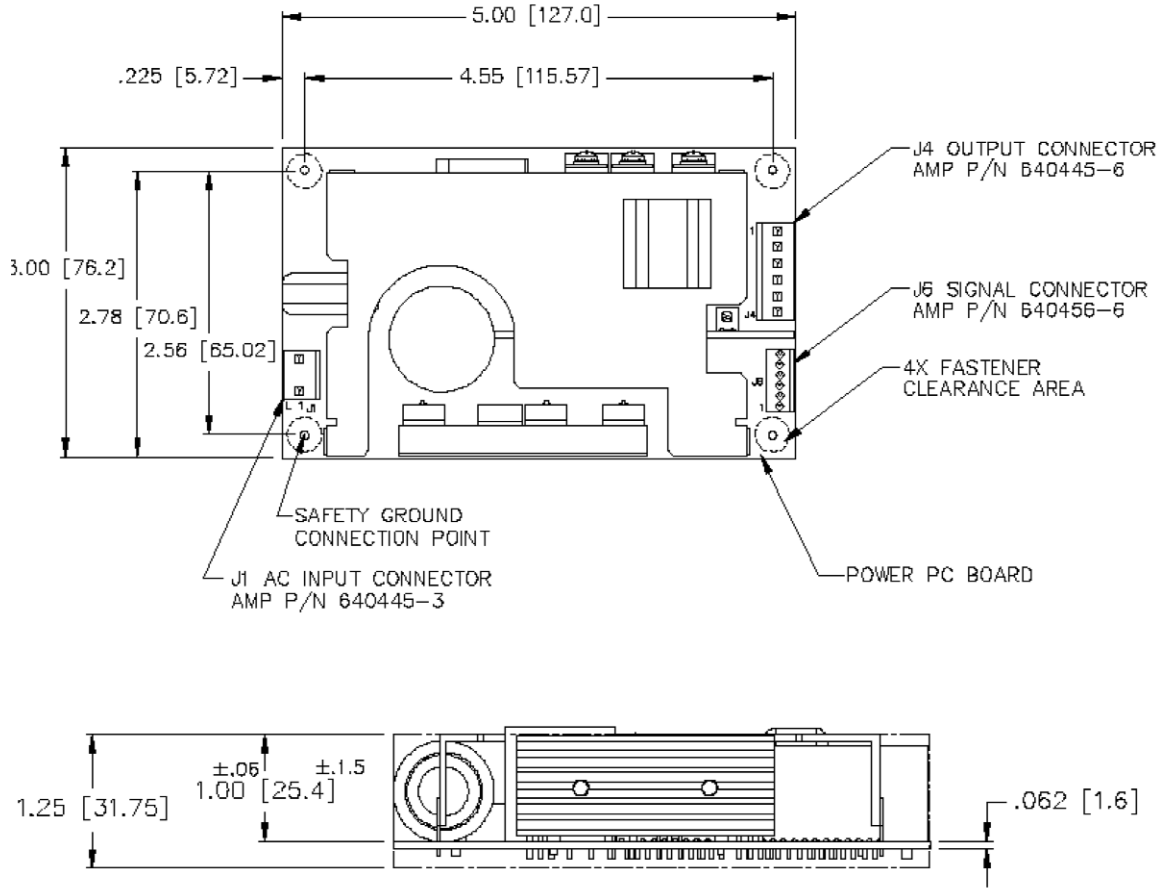
2841 Dow Avenue  
Tustin, CA 92780 USA  
sales@cherokeepwr.com  
P: (714) 544-6665  
F: (714) 838-4742

#### Cherokee International (Europe)

Boulevard de l'Europe, 131  
B-1301 Wavre, Belgium  
sales.europe@cherokeepwr.com  
P: +32.10.438.510  
F: +32.10.438.213

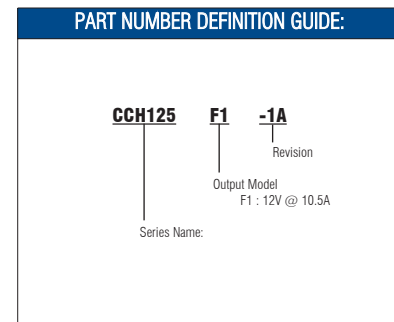
#### Cherokee International (China) Power Supply Ltd.

1353 Chengqiao Road, Shanghai Sengpu Industrial Park  
Shanghai, 201401 China  
sales.china@cherokeepwr.com  
P: 021 6710 8910

**OUTLINE DRAWING**


| PIN ASSIGNMENTS |          |                |          |             |          |
|-----------------|----------|----------------|----------|-------------|----------|
| J1 (AC Input)   |          | J4 (DC Output) |          | J6 (Status) |          |
| PIN             | FUNCTION | PIN            | FUNCTION | PIN         | FUNCTION |
| 1               | LINE     | 1              | V1       | 1           | RTN      |
| 2               | N / C    | 2              | V1       | 2           | -S       |
| 3               | NEUTRAL  | 3              | V1       | 3           | +S       |
|                 |          | 4              | RTN      | 4           | AC FAIL  |
|                 |          | 5              | RTN      | 5           | PS OK    |
|                 |          | 6              | RTN      | 6           | REMOTE   |

J1 Connector is AMP Part # 640445-3  
 J4 Connector is AMP Part # 640445-6  
 J6 Connector is AMP Part # 640456-6


**Cherokee International (North America)**

2841 Dow Avenue P: (714) 544-6665  
 Tustin, CA 92780 USA F: (714) 838-4742  
 sales@cherokeepwr.com

**Cherokee International (Europe)**

Boulevard de l'Europe, 131 P: +32.10.438.510  
 B-1301 Wavre, Belgium F: +32.10.438.213  
 sales.europe@cherokeepwr.com

**Cherokee International (China) Power Supply Ltd.**

1353 Chengqiao Road, Shanghai Sengpu Industrial Park  
 Shanghai, 201401 China P: 021 6710 8910  
 sales.china@cherokeepwr.com