

**KW006-010 Series (Sixteenth-Brick) DC-DC Converter Power Modules:  
36–75Vdc Input; 3.3Vdc to 5.0Vdc Output; 6A to 10A Output Current**

## RoHS Compliant



## Applications

- Distributed power architectures
- Wireless networks
- Access and optical network Equipment
- Enterprise Networks
- Latest generation IC's (DSP, FPGA, ASIC) and Microprocessor powered applications

## Options

- Negative Remote On/Off logic

## Features

- Compliant to RoHS EU Directive 2002/95/EC (-Z versions)
- Compliant to RoHS EU Directive 2002/95/EC with lead solder exemption (non-Z versions)
- Delivers up to 33W output power: 3.3V(10A), 5.0V(6A)
- Small size and low profile: 33.0 mm x 22.9 mm x 8.75 mm (1.30 in x 0.9 in x 0.344 in)
- Industry standard DOSA footprint
- Output voltage adjustment trim (-20%, +10%)
- Remote On/Off, Positive logic
- Remote Sense
- Over-temperature protection (non-latching)
- Output over-current protection (non-latching)
- Output over-voltage protection (latching)
- Wide operating temperature range (-40°C to 85°C)
- Meets the voltage isolation requirements for ETSI 300-132-2 and complies with and is licensed for Basic Insulation rating per EN60950-1
- CE mark meets the 2006/95/EC directive<sup>§</sup>
- *UL*\* 60950-1 Recognized, *CSA*<sup>†</sup> C22.2 No. 60950-1-03 Certified, and *VDE*<sup>‡</sup> 0805 (EN60950 3<sup>rd</sup> Edition) Licensed
- ISO\*\* 9001 and ISO 14001 certified manufacturing facilities
- Surface Mount (Tape and Reel, -SR Suffix)

## Description

The KW (Sixteenth-brick) series power modules are isolated dc-dc converters that operate over a wide input voltage range of 36 to 75Vdc and provide a single precisely regulated output. The output is fully isolated from the input, allowing versatile polarity configurations and grounding connections. The modules exhibit high efficiency, typical efficiency of 87% for 3.3V/10A. These open frame modules are available in surface-mount (-SR) form.

\* *UL* is a registered trademark of Underwriters Laboratories, Inc.

† *CSA* is a registered trademark of Canadian Standards Association.

‡ *VDE* is a trademark of Verband Deutscher Elektrotechniker e.V.

§ This product is intended for integration into end-user equipment. All of the required procedures of end-user equipment should be followed.

\*\* ISO is a registered trademark of the International Organization of Standards

## Absolute Maximum Ratings

Stresses in excess of the absolute maximum ratings can cause permanent damage to the device. These are absolute stress ratings only, functional operation of the device is not implied at these or any other conditions in excess of those given in the operations sections of the data sheet. Exposure to absolute maximum ratings for extended periods can adversely affect the device reliability.

Parameter	Device	Symbol	Min	Max	Unit
Input Voltage					
Continuous	All	$V_{IN}$	-0.3	80	$V_{dc}$
Transient (100 ms)	All	$V_{IN,trans}$	-0.3	100	$V_{dc}$
Operating Ambient Temperature (see Thermal Considerations section)	All	$T_A$	-40	85	$^{\circ}C$
Storage Temperature	All	$T_{stg}$	-55	125	$^{\circ}C$
I/O Isolation voltage (100% Factory tested)	All	—	—	1500	$V_{dc}$

## Electrical Specifications

Unless otherwise indicated, specifications apply over all operating input voltage, resistive load, and temperature conditions.

Parameter	Device	Symbol	Min	Typ	Max	Unit
Operating Input Voltage	All	$V_{IN}$	36	48	75	$V_{dc}$
Maximum Input Current ( $V_{IN} = V_{IN, min}$ to $V_{IN, max}$ , $I_O = I_{O, max}$ )	All	$I_{IN, max}$			1.5	$A_{dc}$
Input No Load Current ( $V_{IN} = V_{IN, nom}$ , $I_O = 0$ , module enabled)	All	$I_{IN, No load}$		40	75	mA
Input Stand-by Current ( $V_{IN} = V_{IN, nom}$ , module disabled)	All	$I_{IN, stand-by}$		3	5	mA
Inrush Transient	All	$I^2t$			0.1	$A^2s$
Input Reflected Ripple Current, peak-to-peak (5Hz to 20MHz, 1 $\mu$ H source impedance; $V_{IN, min}$ to $V_{IN, max}$ , $I_O = I_{O, max}$ ; See Test configuration section)	All			30		$mA_{p-p}$
Input Ripple Rejection (120Hz)	All		50			dB
EMC, EN55022		See EMC Considerations section				

### CAUTION: This power module is not internally fused. An input line fuse must always be used.

This power module can be used in a wide variety of applications, ranging from simple standalone operation to an integrated part of sophisticated power architectures. To preserve maximum flexibility, internal fusing is not included, however, to achieve maximum safety and system protection, always use an input line fuse. The safety agencies require a time-delay fuse with a maximum rating of 5 A (see Safety Considerations section). Based on the information provided in this data sheet on inrush energy and maximum dc input current, the same type of fuse with a lower rating can be used. Refer to the fuse manufacturer's data sheet for further information.

### Electrical Specifications (continued)

Parameter	Device	Symbol	Min	Typ	Max	Unit
Output Voltage Set-point ( $V_{IN}=V_{IN, min}$ , $I_O=I_{O, max}$ , $T_A=25^\circ\text{C}$ )	All	$V_{O, set}$	-1.5	—	+1.5	% $V_{O, set}$
Output Voltage (Over all operating input voltage, resistive load, and temperature conditions until end of life)	All	$V_O$	-3.0	—	+3.0	% $V_{O, set}$
Adjustment Range Selected by an external resistor	All	$V_{O, adj}$	-20.0		+10.0	$V_{dc}$
Output Regulation Line ( $V_{IN}=V_{IN, min}$ to $V_{IN, max}$ ) Load ( $I_O=I_{O, min}$ to $I_{O, max}$ ) Temperature ( $T_{ref}=T_{A, min}$ to $T_{A, max}$ )	All All All		— — —	— — —	0.1 5 $\pm 1.0$	% $V_{O, set}$ mV % $V_{O, set}$
Output Ripple and Noise on nominal output ( $V_{IN}=V_{IN, nom}$ , $I_O=I_{O, max}$ , $T_A=T_{A, min}$ to $T_{A, max}$ ) (see Figure 14 for test conditions)						
RMS (5Hz to 20MHz bandwidth)	F		—	—	20	mV <sub>rms</sub>
Peak-to-Peak (5Hz to 20MHz bandwidth)	F		—	—	60	mV <sub>pk-pk</sub>
RMS (5Hz to 20MHz bandwidth)	A		—	—	25	mV <sub>rms</sub>
Peak-to-Peak (5Hz to 20MHz bandwidth)	A		—	—	75	mV <sub>pk-pk</sub>
External Capacitance	F A	$C_{O, max}$ $C_{O, max}$	0* 0*	— —	5,000 2,000	$\mu\text{F}$ $\mu\text{F}$
Output Current	A F	$I_o$ $I_o$	0 0	— —	6 10	$A_{dc}$ $A_{dc}$
Output Current Limit Inception (Hiccup Mode ) ( $V_O=90\%$ of $V_{O, set}$ )	All	$I_{O, lim}$	101		130	% $I_o$
Output Short-Circuit Current ( $V_O \leq 250\text{mV}$ ) ( Hiccup Mode )	All	$I_{O, s/c}$	—	1	—	$A_{rms}$
Efficiency $V_{IN}=V_{IN, nom}$ , $T_A=25^\circ\text{C}$ , $I_O=I_{O, max}$ , $V_O=V_{O, set}$	All	$\eta$		87.0		%
Switching Frequency	All	$f_{sw}$		300		kHz
Dynamic Load Response ( $dI_o/dt=1.0\text{A}/\mu\text{s}$ ; $V_{IN}=V_{IN, nom}$ ; $T_A=25^\circ\text{C}$ ) Load Change from $I_o=50\%$ to $75\%$ or $25\%$ to $50\%$ of $I_{O, max}$ ; $470\mu\text{F}$ external capacitance ( $ESR_{max} < 20\text{ m}\Omega$ )						
Peak Deviation	All	$V_{pk}$	—	3	—	% $V_{O, set}$
Settling Time ( $V_o < 10\%$ peak deviation)	All	$t_s$	—	200	—	$\mu\text{s}$

(\* See Output Overvoltage Protection Information in the Feature Specifications and Feature Descriptions for advise on minimum output capacitance)

## Isolation Specifications

Parameter	Device	Symbol	Min	Typ	Max	Unit
Isolation Capacitance	All	C <sub>iso</sub>	—	120	—	pF
Isolation Resistance	All	R <sub>iso</sub>	10	—	—	MΩ
I/O Isolation Voltage	All	All	—	—	1500	V <sub>dc</sub>

## General Specifications

Parameter	Device	Min	Typ	Max	Unit
Calculated MTBF Based upon Telcordia SR-332 Issue 2: Method 1 Case 3, 90% confidence (I <sub>O</sub> =80%I <sub>O, max</sub> , T <sub>A</sub> =40°C, Airflow = 200 lfm)	F	3,765,608			Hours
Powered Random Vibration (V <sub>IN</sub> =V <sub>IN, min</sub> , I <sub>O</sub> =I <sub>O, max</sub> , T <sub>A</sub> =25°C, 0 to 5000Hz, 10Grms)	All	90			Minutes
Weight	All	—	10 (0.35)	—	g (oz.)

## Feature Specifications

Unless otherwise indicated, specifications apply over all operating input voltage, resistive load, and temperature conditions. See Feature Descriptions for additional information.

Parameter	Device	Symbol	Min	Typ	Max	Unit
Remote On/Off Signal Interface (V <sub>IN</sub> =V <sub>IN, min</sub> to V <sub>IN, max</sub> ; open collector or equivalent, Signal referenced to V <sub>IN(-)</sub> terminal) Negative Logic: device code suffix "1" Logic Low = module On, Logic High = module Off Positive Logic: No device code suffix required Logic Low = module Off, Logic High = module On						
Logic Low - Remote On/Off Current	All	I <sub>on/off</sub>	—	0.37	1.0	mA
Logic Low - On/Off Voltage	All	V <sub>on/off</sub>	-0.7	—	1.2	V
Logic Threshold – change of state	All	V <sub>on/off</sub>	—	2.4	—	V
Logic High Voltage – (Typ = Open Collector)	All	V <sub>on/off</sub>	3	3.4	5	V
Logic High maximum allowable leakage current (current flow sourced from the unit)	All	I <sub>on/off</sub>	—	—	10	μA
External voltage allowed on on/off pin					15	V
Turn-On Delay and Rise Times (I <sub>O</sub> =I <sub>O, max</sub> , V <sub>IN</sub> =V <sub>IN, nom</sub> , T <sub>A</sub> = 25 °C) Case 1: On/Off input is set to Logic Low (Module ON) and then input power is applied (delay from instant at which V <sub>IN</sub> = V <sub>IN, min</sub> until V <sub>O</sub> =10% of V <sub>O, set</sub> ) Case 2: Input power is applied for at least 1 second and then the On/Off input is set from OFF to ON (T <sub>delay</sub> = from instant at which V <sub>IN</sub> =V <sub>IN, min</sub> until V <sub>O</sub> = 10% of V <sub>O, set</sub> ). Output voltage Rise time (time for V <sub>O</sub> to rise from 10% of V <sub>O, set</sub> to 90% of V <sub>O, set</sub> , with 0 to max ext capacitance)	All	T <sub>delay</sub>	—	2	5	msec
	All	T <sub>delay</sub>	—	2	5	msec
	All	T <sub>rise</sub>	—	8	12	msec
Output voltage overshoot – Startup I <sub>O</sub> = I <sub>O, max</sub> ; V <sub>IN</sub> =V <sub>IN, min</sub> to V <sub>IN, max</sub> , T <sub>A</sub> = 25 °C		All		—	3	% V <sub>O, set</sub>
Remote Sense Range	All	All			10	% V <sub>O, set</sub>
Output Overvoltage Protection (requires 660 μF output capacitance to meet limits, when Output Overvoltage is caused by internal module failure; see Feature Descriptions for further detail)	A	V <sub>O, limit</sub>	5.75	—	7	V <sub>dc</sub>
	F	V <sub>O, limit</sub>	3.8	—	4.6	V <sub>dc</sub>
Input Undervoltage Lockout						
Turn-on Threshold	All	V <sub>uv/on</sub>	—	34	36	V <sub>dc</sub>
Turn-off Threshold	All	V <sub>uv/off</sub>	24	27	—	V <sub>dc</sub>
Hysteresis	All	V <sub>hyst</sub>	—	6	—	V <sub>dc</sub>

### Characteristic Curves

The following figures provide typical characteristics for the KW010A0F (3.3V, 10A) at 25°C. The figures are identical for either positive or negative remote On/Off logic.

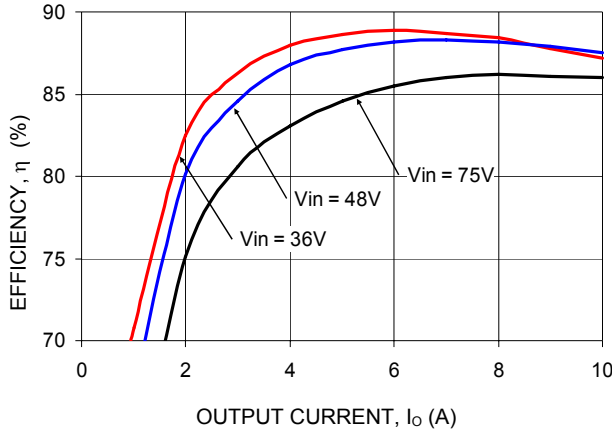


Figure 1. Converter Efficiency versus Output Current.

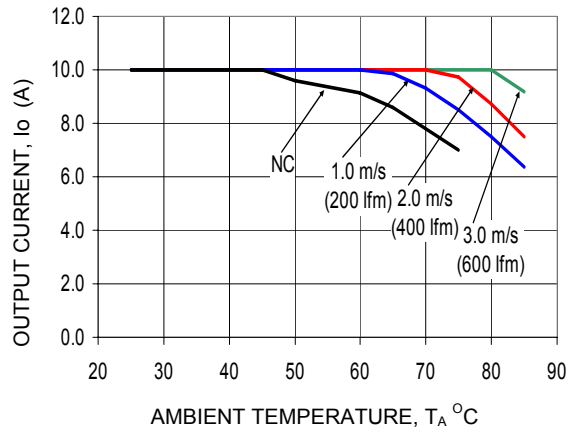


Figure 4. Derating Output Current versus Local Ambient Temperature and Airflow.

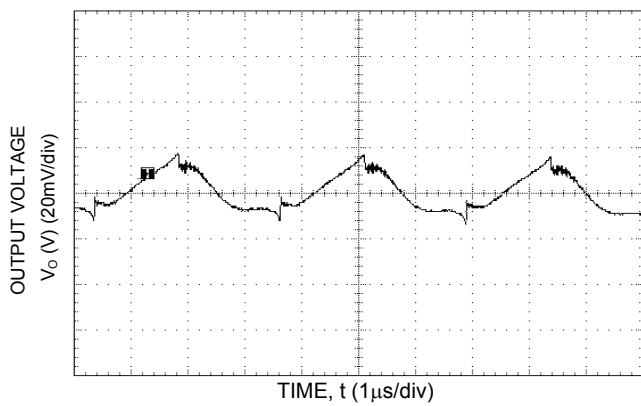


Figure 2. Typical output ripple and noise ( $V_{IN} = V_{IN,NOM}$ ,  $I_o = I_{o,max}$ ).

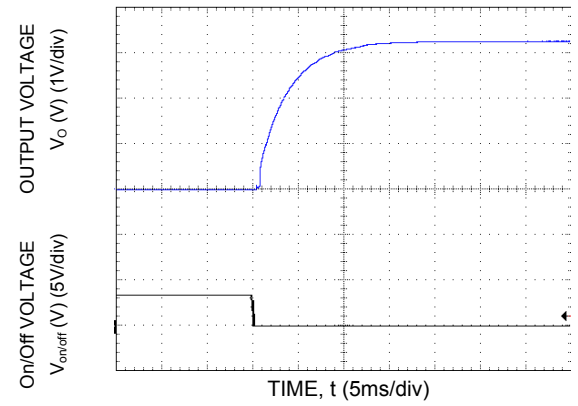


Figure 5. Typical Start-up Using Remote On/Off, negative logic version shown ( $V_{IN} = V_{IN,NOM}$ ,  $I_o = I_{o,max}$ ).

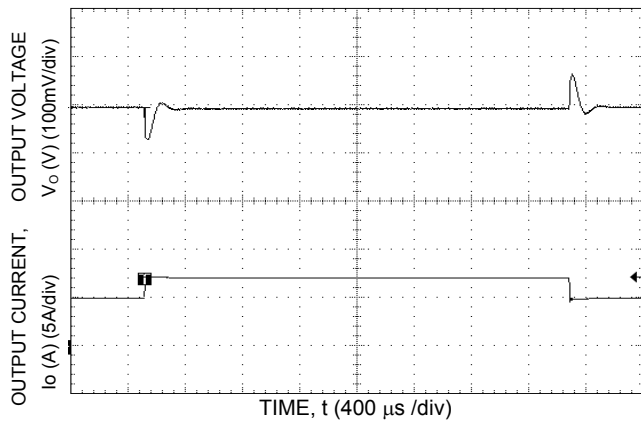


Figure 3. Transient Response to Dynamic Load Change from 75% to 50% to 75% of full load with an external 470µF tantalum capacitor ( $di/dt = 1.0A/\mu s$ ).

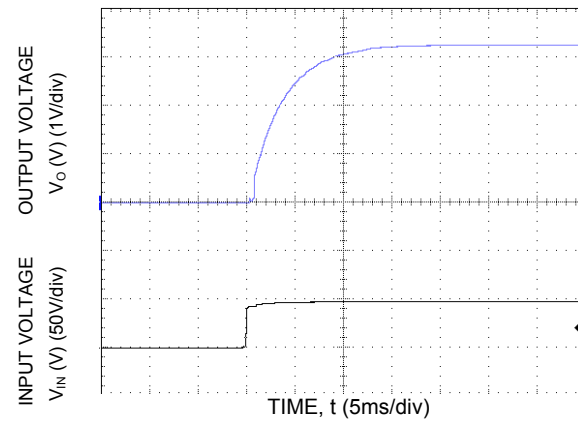


Figure 6. Typical Start-up Using Input Voltage ( $V_{IN} = V_{IN,NOM}$ ,  $I_o = I_{o,max}$ ).

Characteristic Curves (continued)

The following figures provide typical characteristics for the KW006A0A (5.0V, 6A) at 25°C. The figures are identical for either positive or negative remote On/Off logic.

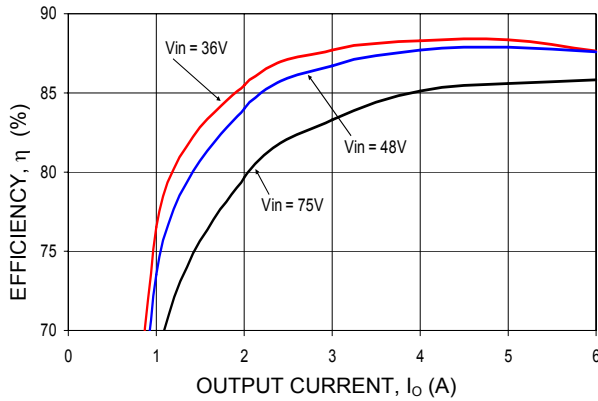


Figure 7. Converter Efficiency versus Output Current.

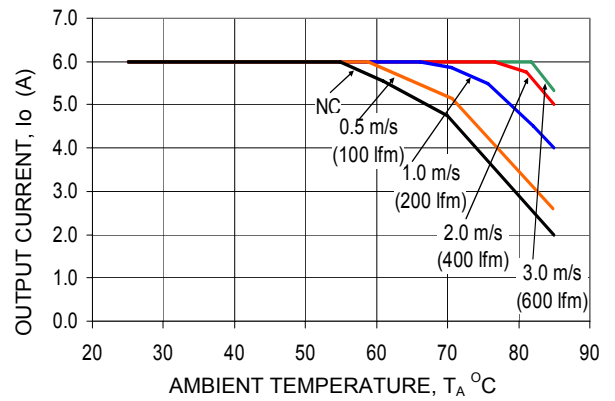


Figure 10. Derating Output Current versus Local Ambient Temperature and Airflow.

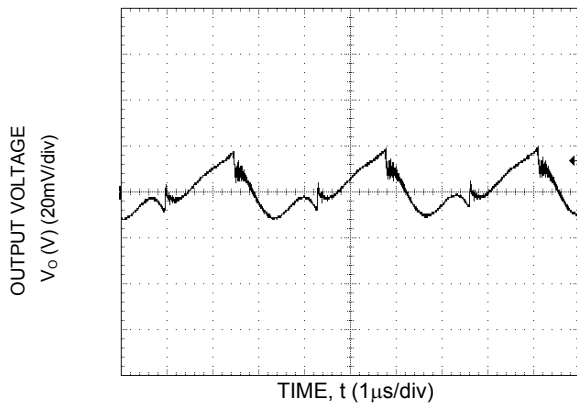


Figure 8. Typical output ripple and noise ( $V_{IN} = V_{IN,NOM}$ ,  $I_o = I_{o,max}$ ).

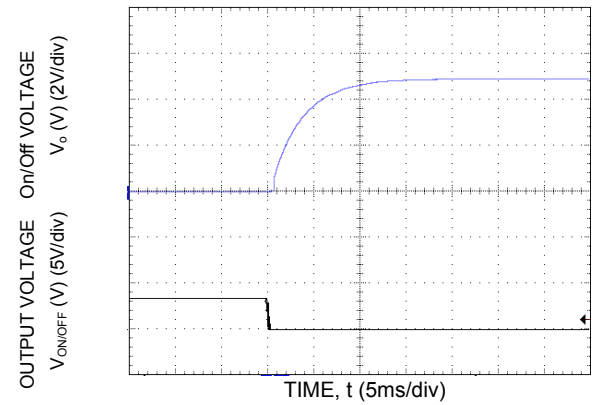


Figure 11. Typical Start-up Using Remote On/Off, negative logic version shown ( $V_{IN} = V_{IN,NOM}$ ,  $I_o = I_{o,max}$ ).

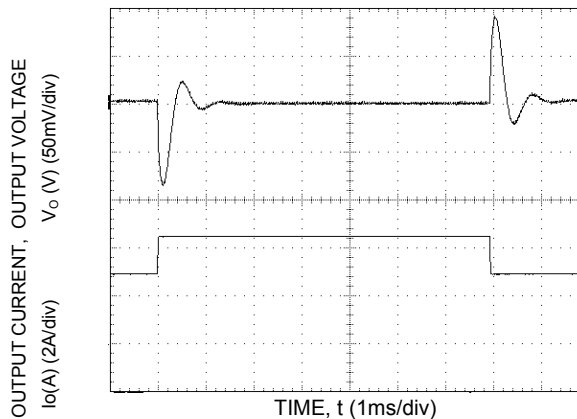


Figure 9. Transient Response to Dynamic Load Change from 50% to 75% to 50% of full load with an external 470µF tantalum capacitor ( $di/dt = 1.0A/\mu s$ ).

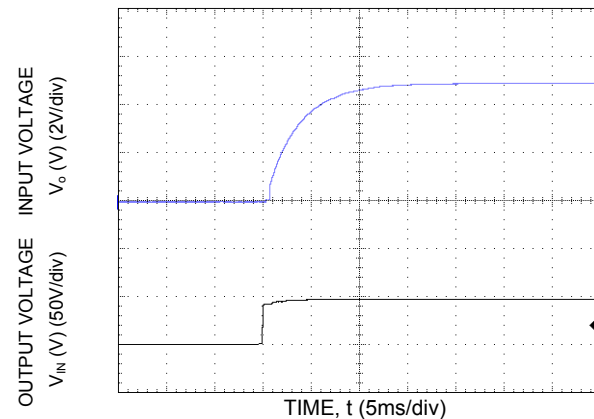
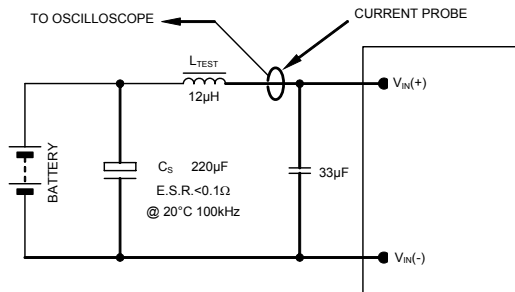


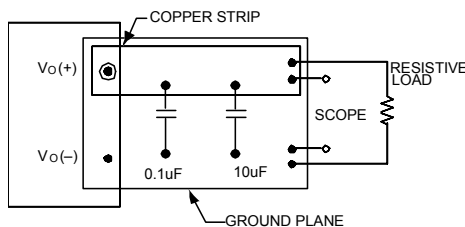
Figure 12. Typical Start-up Using Input Voltage ( $V_{IN} = V_{IN,NOM}$ ,  $I_o = I_{o,max}$ ).

## Test Configurations



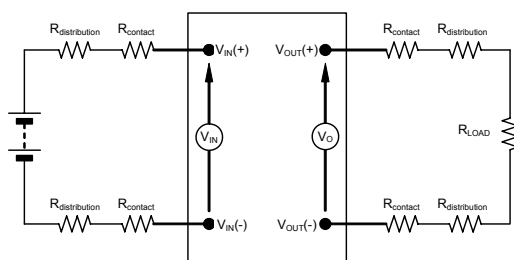
NOTE: Measure input reflected ripple current with a simulated source inductance ( $L_{TEST}$ ) of 12µH. Capacitor  $C_S$  offsets possible battery impedance. Measure current as shown above.

**Figure 13. Input Reflected Ripple Current Test Setup.**



NOTE: All voltage measurements to be taken at the module terminals, as shown above. If sockets are used then Kelvin connections are required at the module terminals to avoid measurement errors due to socket contact resistance.

**Figure 14. Output Ripple and Noise Test Setup.**



NOTE: All voltage measurements to be taken at the module terminals, as shown above. If sockets are used then Kelvin connections are required at the module terminals to avoid measurement errors due to socket contact resistance.

**Figure 15. Output Voltage and Efficiency Test Setup.**

$$\text{Efficiency } \eta = \frac{V_o \cdot I_o}{V_{IN} \cdot I_{IN}} \times 100 \%$$

## Design Considerations

### Input Filtering

The power module should be connected to a low ac-impedance source. Highly inductive source impedance can affect the stability of the power module. For the test configuration in Figure 13, a 33µF electrolytic capacitor (ESR < 0.1Ω at 100kHz), mounted close to the power module helps ensure the stability of the unit. Consult the factory for further application guidelines.

### Safety Considerations

For safety-agency approval of the system in which the power module is used, the power module must be installed in compliance with the spacing and separation requirements of the end-use safety agency standard, i.e., UL 60950-1-3, CSA C22.2 No. 60950-00, and VDE 0805:2001-12 (IEC60950-1).

If the input source is non-SELV (ELV or a hazardous voltage greater than 60 Vdc and less than or equal to 75Vdc), for the module's output to be considered as meeting the requirements for safety extra-low voltage (SELV), all of the following must be true:

- The input source is to be provided with reinforced insulation from any other hazardous voltages, including the ac mains.
- One  $V_{IN}$  pin and one  $V_{OUT}$  pin are to be grounded, or both the input and output pins are to be kept floating.
- The input pins of the module are not operator accessible.
- Another SELV reliability test is conducted on the whole system (combination of supply source and subject module), as required by the safety agencies, to verify that under a single fault, hazardous voltages do not appear at the module's output.

**Note:** Do not ground either of the input pins of the module without grounding one of the output pins. This may allow a non-SELV voltage to appear between the output pins and ground.

The power module has extra-low voltage (ELV) outputs when all inputs are ELV.

All flammable materials used in the manufacturing of these modules are rated 94V-0, or tested to the UL60950 A.2 for reduced thickness.

For input voltages exceeding –60 Vdc but less than or equal to –75 Vdc, these converters have been evaluated to the applicable requirements of BASIC INSULATION between secondary DC MAINS DISTRIBUTION input (classified as TNV-2 in Europe) and unearthed SELV outputs (-B option only).

The input to these units is to be provided with a maximum 5 A time-delay fuse in the ungrounded lead.

## Feature Description

### Remote On/Off

Two remote on/off options are available. Positive logic turns the module on during a logic high voltage on the ON/OFF pin, and off during a logic low. Negative logic remote On/Off, device code suffix "1", turns the module off during a logic high and on during a logic low.

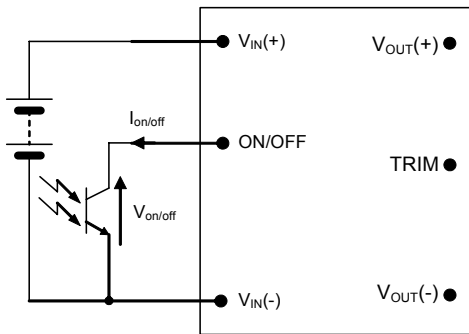


Figure 16. Remote On/Off Implementation.

To turn the power module on and off, the user must supply a switch (open collector or equivalent) to control the voltage ( $V_{on/off}$ ) between the ON/OFF terminal and the  $V_{IN(-)}$  terminal (see Figure 16). Logic low is  $0V \leq V_{on/off} \leq 1.2V$ . The maximum  $I_{on/off}$  during a logic low is 1mA, the switch should maintain a logic low level whilst sinking this current.

The typical open circuit  $V_{on/off}$  generated by the module is 3.4V. The  $I_{ON/OFF}$  leakage current, through the switch, is required to be less than 10uA otherwise the unit will reach the threshold at which it switches.

If not using the remote on/off feature:

For positive logic, leave the ON/OFF pin open.

For negative logic, short the ON/OFF pin to  $V_{IN(-)}$ .

### Remote Sense

Remote sense minimizes the effects of distribution losses by regulating the voltage at the remote-sense connections (See Figure 17). The voltage between the remote-sense pins and the output terminals must not exceed the output voltage sense range given in the Feature Specifications table:

$$[V_{O(+)} - V_{O(-)}] - [SENSE(+)- SENSE(-)] \leq 10\% V_{O,Set}$$

Although the output voltage can be increased by both the remote sense and by the trim, the maximum increase for the output voltage is not the sum of both. The maximum increase is the larger of either the remote sense or the trim.

The amount of power delivered by the module is defined as the voltage at the output terminals multiplied by the output current. When using remote sense and

trim, the output voltage of the module can be increased, which at the same output current would increase the power output of the module. Care should be taken to ensure that the maximum output power of the module remains at or below the maximum rated power (Maximum rated power =  $V_{o,set} \times I_{o,max}$ ).

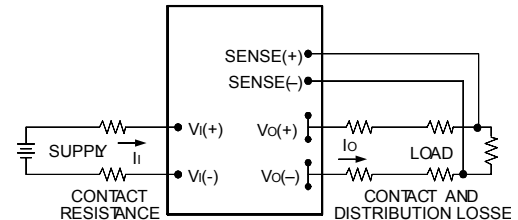


Figure 17. Circuit Configuration for remote sense .

### Input Under-Voltage Lockout

At input voltages below the input under-voltage lockout limit, the module operation is disabled. The module will only begin to operate once the input voltage is raised above the undervoltage lockout turn-on threshold,  $V_{UV/on}$ .

Once operating, the module will continue to operate until the input voltage is taken below the undervoltage turn-off threshold,  $V_{UV/off}$ .

### Over-Temperature Protection

To provide protection under certain fault conditions, the unit is equipped with a thermal shutdown circuit. The unit will shutdown if the thermal reference test point RT1 (Figure 19), exceeds 110°C (typical), but the thermal shutdown is not intended as a guarantee that the unit will survive temperatures beyond its rating. The module will automatically restart upon cool-down to a safe temperature.

### Output Over-Voltage Protection

The output over-voltage protection scheme of the modules has an independent over-voltage loop to prevent single point of failure. This protection feature latches-off the module in the event of over-voltage across the output. Recycling the input voltage or momentarily switching-off the module via the remote on/off pin resets the latch.

The independent over-voltage loop has a relatively slow response time. There are no precautions necessary to meet the output over-voltage protection limits for externally caused over-voltage conditions, such as excessive remote sense or output trim adjustments. However, special precautions are necessary to insure the over-voltage limits are met when the over-voltage is caused by internal module control loop failure. Either a minimum of 660  $\mu F$  external output capacitance is required, or an external



### Feature Descriptions (continued)

OVP pull-down circuit is required. The OVP pull-down circuit will also provide significantly lower peak output over-voltages for applications that are particularly sensitive to over-voltage stress. Please contact your local Lineage Power sales representative for further information on the external OVP pull-down circuit.

### Over-Current Protection

To provide protection in a fault (output overload) condition, the unit is equipped with internal current-limiting circuitry and can endure current limiting continuously. At the point of current-limit inception, the unit enters hiccup mode. The unit will remain in the hiccup mode as long as the overcurrent condition exists; it operates normally, once the output current is brought back into its specified range. The average output current during hiccup is < 1A.

### Output Voltage Programming

Trimming allows the output voltage set point to be increased or decreased. This is accomplished by connecting an external resistor between the TRIM pin and either the V<sub>O</sub>(+) pin or the V<sub>O</sub>(-) pin.

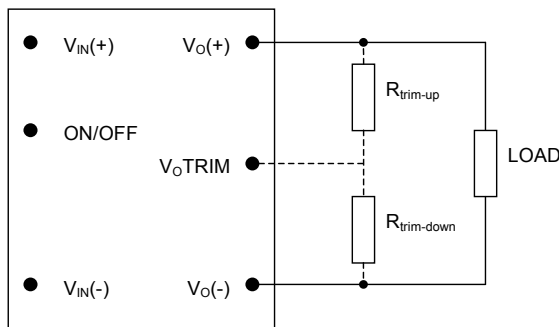


Figure 18. Circuit Configuration to Trim Output Voltage.

Connecting an external resistor ( $R_{trim-down}$ ) between the TRIM pin and the V<sub>O</sub>(-) (or Sense(-)) pin decreases the output voltage set point. To maintain set point accuracy, the trim resistor tolerance should be  $\pm 1.0\%$ .

The following equation determines the required external resistor value to obtain a percentage output voltage change of  $\Delta\%$

**For trimming the output voltage lower:**

$$R_{trim-down} = \left[ \frac{511}{\Delta\%} - 10.22 \right] K\Omega$$

Where  $\Delta\% = \left( \frac{V_{o,set} - V_{desired}}{V_{o,set}} \right) \times 100$

For example, to trim-down the output voltage of 3.3V module (KW010A0F/F1) by 8% to 3.036V,  $R_{trim-down}$  is calculated as follows:

$$\Delta\% = 8$$

$$R_{trim-down} = \left[ \frac{511}{8} - 10.22 \right] K\Omega$$

$$R_{trim-down} = 53.655 K\Omega$$

Connecting an external resistor ( $R_{trim-up}$ ) between the TRIM pin and the V<sub>O</sub>(+) (or Sense (+)) pin increases the output voltage set point. The following equations determine the required external resistor value to obtain a percentage output voltage change of  $\Delta\%$ :

**For trimming the output voltage higher:**

$$R_{trim-up} = \left[ \frac{5.11 \times V_{o,set} \times (100 + \Delta\%)}{1.225 \times \Delta\%} - \frac{511}{\Delta\%} - 10.22 \right] K\Omega$$

Where  $\Delta\% = \left( \frac{V_{o,set} - V_{desired}}{V_{o,set}} \right) \times 100$

For example, to trim-up the output voltage of 3.3V module (KW010A0F/F1) by 6% to 3.498V,  $R_{trim-up}$  is calculated is as follows:

$$\Delta\% = 6$$

$$R_{trim-up} = \left[ \frac{5.11 \times 3.3 \times (100 + 6)}{1.225 \times 6} - \frac{511}{6} - 10.22 \right] K\Omega$$

$$R_{trim-up} = 147.8K\Omega$$

The voltage between the V<sub>O</sub>(+) and V<sub>O</sub>(-) terminals must not exceed the minimum output overvoltage protection value shown in the Feature Specifications table. This limit includes any increase in voltage due to remote-sense compensation and output voltage set-point adjustment trim.

Although the output voltage can be increased by both the remote sense and by the trim, the maximum increase for the output voltage is not the sum of both. The maximum increase is the larger of either the remote sense or the trim. The amount of power delivered by the module is defined as the voltage at the output terminals multiplied by the output current. When using remote sense and trim, the output voltage of the module can be increased, which at the same output current would increase the power output of the module. Care should be taken to ensure that the maximum output power of the module remains at or below the maximum rated power (Maximum rated power =  $V_{o,set} \times I_{o,max}$ ).

### EMC Considerations

The KW006/010 power module is designed to meet EN55022 Class B Conducted emissions with a simple filter, as shown in Figure 19. Test results are shown in Figure 20. Further improvement to the emissions at the fundamental can be achieved by increasing the value of C3 and C4. Please contact your Lineage Power sales representative, if you need further information.

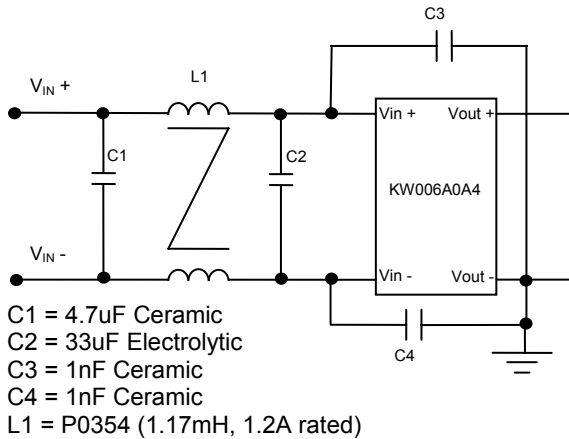


Figure 19. EMC Filter.

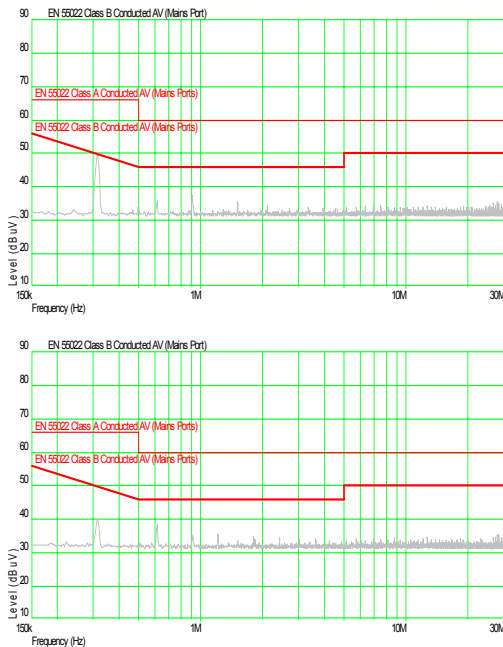


Figure 20. EMC Results (top  $V_{IN+}$ , bottom  $V_{IN-}$ )

### Thermal Considerations

The power modules operate in a variety of thermal environments; however, sufficient cooling should be provided to help ensure reliable operation.

Considerations include ambient temperature, airflow, module power dissipation, and the need for increased reliability. A reduction in the operating temperature of the module will result in an increase in reliability. The thermal data presented in this data sheet is based on physical measurements taken in a wind tunnel. The test set-up is shown in Figure 21. Please refer to the Application Note "Thermal Characterization Process For Open-Frame Board-Mounted Power Modules" for a detailed discussion of thermal aspects including maximum device temperatures.

The thermal reference point,  $T_{ref}$ , used in the specifications, is shown in Figure 22. For reliable operation this temperature should not exceed 125°C.

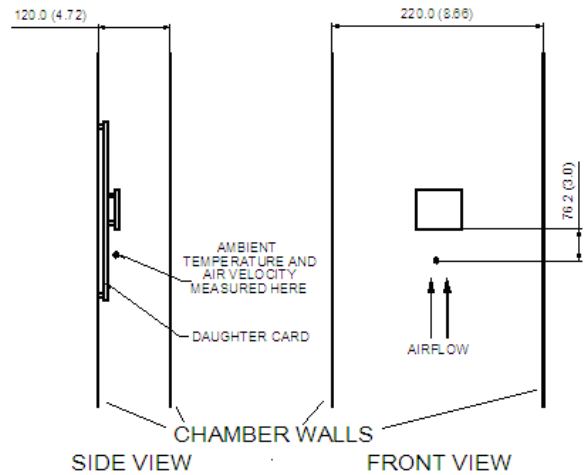


Figure 21.  $T_{ref}$  Temperature Measurement Locations.

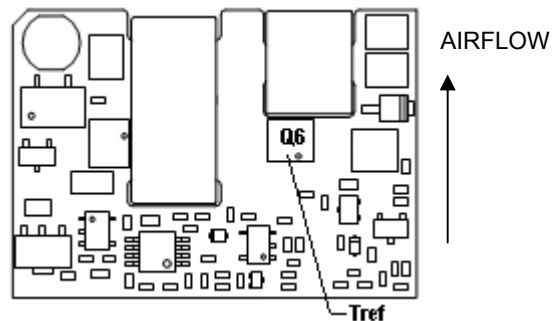


Figure 22.  $T_{ref}$  Temperature Measurement Locations.

## Surface Mount Information

### Pick and Place

The KW006/010 modules use an open frame construction and are designed for a fully automated assembly process. The pick and place location on the module is the larger magnetic core as shown in Figure 23. The modules are fitted with a label which meets all the requirements for surface mount processing, as well as safety standards, and is able to withstand reflow temperatures of up to 300°C. The label also carries important product information such as product code, serial number and the location of manufacture.

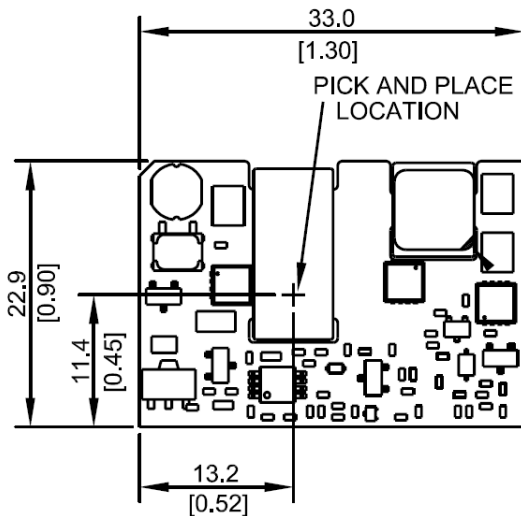


Figure 23. Pick and Place Location.

### Nozzle Recommendations

The module weight has been kept to a minimum by using open frame construction. Even so, these modules have a relatively large mass when compared to conventional SMT components. Variables such as nozzle size, tip style, vacuum pressure and placement speed should be considered to optimize this process. The recommended nozzle diameter for reliable operation is 6mm. Oblong or oval nozzles up to 11 x 6 mm may also be used within the space available.

### Tin Lead Soldering

The KW006/010 power modules (both non-Z and -Z codes) can be soldered either in a conventional Tin/Lead (Sn/Pb) process. The non-Z version of the KW006/010 modules are RoHS compliant with the lead exception. Lead based solder paste is used in the soldering process during the manufacturing of these modules. These modules can only be soldered in conventional Tin/lead (Sn/Pb) process. It is recommended that the customer review data sheets in order to customize the solder reflow profile for each application board assembly. The following instructions

must be observed when soldering these units. Failure to observe these instructions may result in the failure of or cause damage to the modules, and can adversely affect long-term reliability.

In a conventional Tin/Lead (Sn/Pb) solder process peak reflow temperatures are limited to less than 235°C. Typically, the eutectic solder melts at 183°C, wets the land, and subsequently wicks the device connection. Sufficient time must be allowed to fuse the plating on the connection to ensure a reliable solder joint. There are several types of SMT reflow technologies currently used in the industry. These surface mount power modules can be reliably soldered using natural forced convection, IR (radiant infrared), or a combination of convection/IR. For reliable soldering the solder reflow profile should be established by accurately measuring the modules CP connector temperatures.

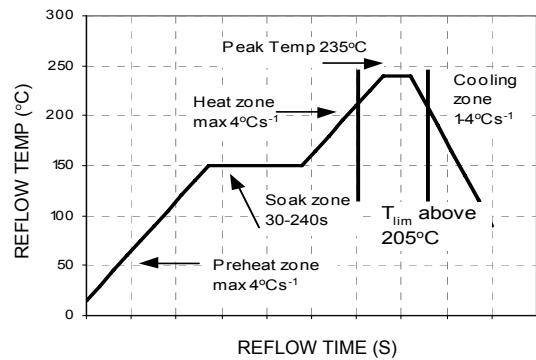


Figure 24. Reflow Profile for Tin/Lead (Sn/Pb) process

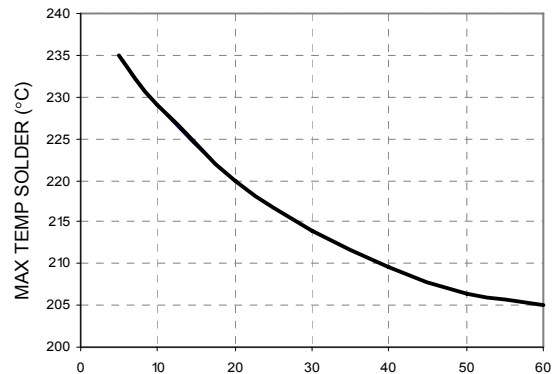


Figure 25. Time Limit Curve Above 205°C for Tin/Lead (Sn/Pb) process

### Lead Free Soldering

The -Z version of the KW006/010 modules are lead-free (Pb-free) and RoHS compliant and are both forward and backward compatible in a Pb-free and a SnPb soldering process. The non-Z version of the KW006/010 modules are RoHS compliant with the lead exception. Lead based solder paste is used in the soldering process during the manufacturing of these modules. These modules can only be soldered in

### Surface Mount Information (continued)

conventional Tin/lead (Sn/Pb) process. Failure to observe the instructions below may result in the failure of or cause damage to the modules and can adversely affect long-term reliability.

#### Pb-free Reflow Profile

Power Systems will comply with J-STD-020 Rev. C (Moisture/Reflow Sensitivity Classification for Non-hermetic Solid State Surface Mount Devices) for both Pb-free solder profiles and MSL classification procedures. This standard provides a recommended forced-air-convection reflow profile based on the volume and thickness of the package (table 4-2). The suggested Pb-free solder paste is Sn/Ag/Cu (SAC). The recommended linear reflow profile using Sn/Ag/Cu solder is shown in Figure 26.

#### MSL Rating

The KW006/010 modules have a MSL rating of 2.

#### Storage and Handling

The recommended storage environment and handling procedures for moisture-sensitive surface mount packages is detailed in J-STD-033 Rev. A (Handling, Packing, Shipping and Use of Moisture/Reflow Sensitive Surface Mount Devices). Moisture barrier bags (MBB) with desiccant are required for MSL ratings of 2 or greater. These sealed packages should not be broken until time of use. Once the original package is broken, the floor life of the product at conditions of  $\leq 30^{\circ}\text{C}$  and 60% relative humidity varies according to the MSL rating (see J-STD-033A). The shelf life for dry packed SMT packages will be a minimum of 12 months from the bag seal date, when stored at the following conditions:  $< 40^{\circ}\text{C}$ ,  $< 90\%$  relative humidity.

#### Post Solder Cleaning and Drying Considerations

Post solder cleaning is usually the final circuit-board assembly process prior to electrical board testing. The result of inadequate cleaning and drying can affect both the reliability of a power module and the testability of the finished circuit-board assembly. For guidance on appropriate soldering, cleaning and drying procedures, refer to Lineage Power *Board Mounted Power Modules: Soldering and Cleaning* Application Note (AN04-001).

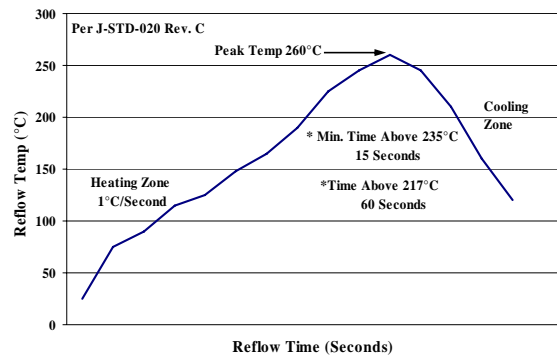


Figure 26. Recommended linear reflow profile using Sn/Ag/Cu solder.

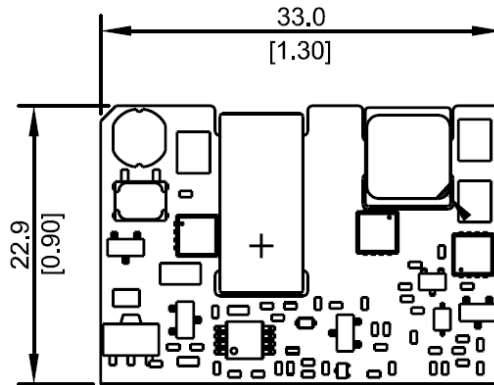
### Mechanical Outline for Surface Mount Module

Dimensions are in millimeters and [inches].

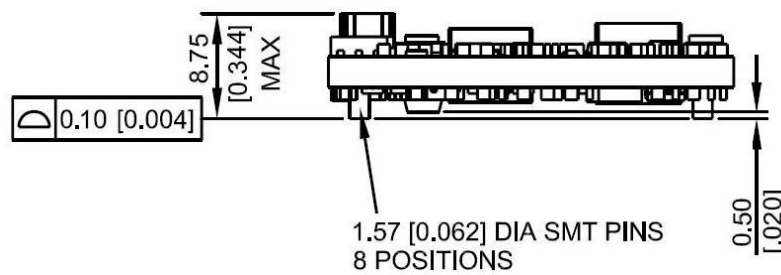
Tolerances: x.xx mm ± 0.5 mm [x.xx in. ± 0.02 in.] (unless otherwise indicated)

x.xx mm ± 0.25 mm [x.xxx in ± 0.010 in].

Top View

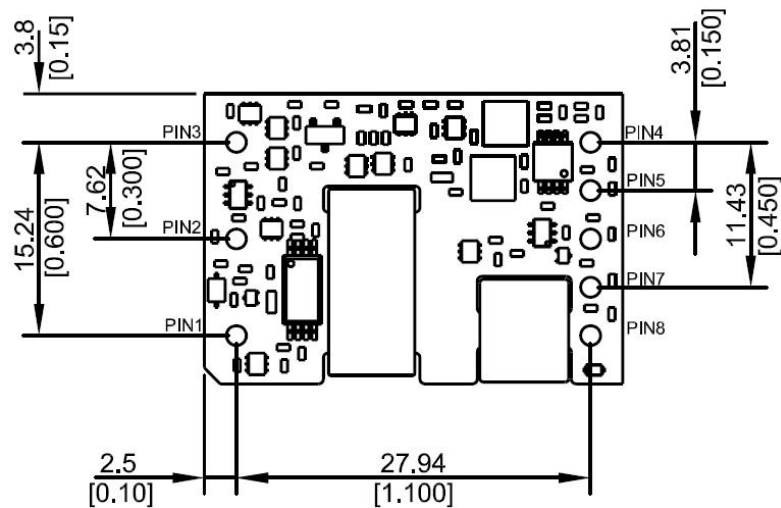


Side View



Bottom View

PIN	FUNCTION
1	$V_{IN}(+)$
2	On/Off
3	$V_{IN}(-)$
4	$V_o(-)$
5	Sense(-)
6	Trim
7	Sense(+)
8	$V_o(+)$

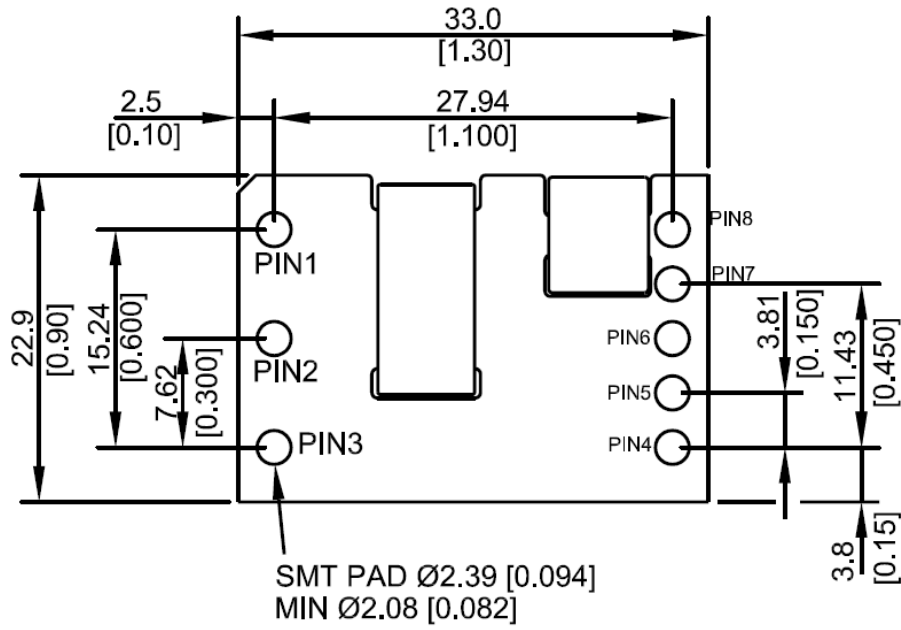


### Recommended Pad Layout

Dimensions are in millimeters and [inches].

Tolerances: x.x mm ± 0.5 mm [x.xx in. ± 0.02 in.] (unless otherwise indicated)

x.xx mm ± 0.25 mm [x.xxx in. ± 0.010 in.]



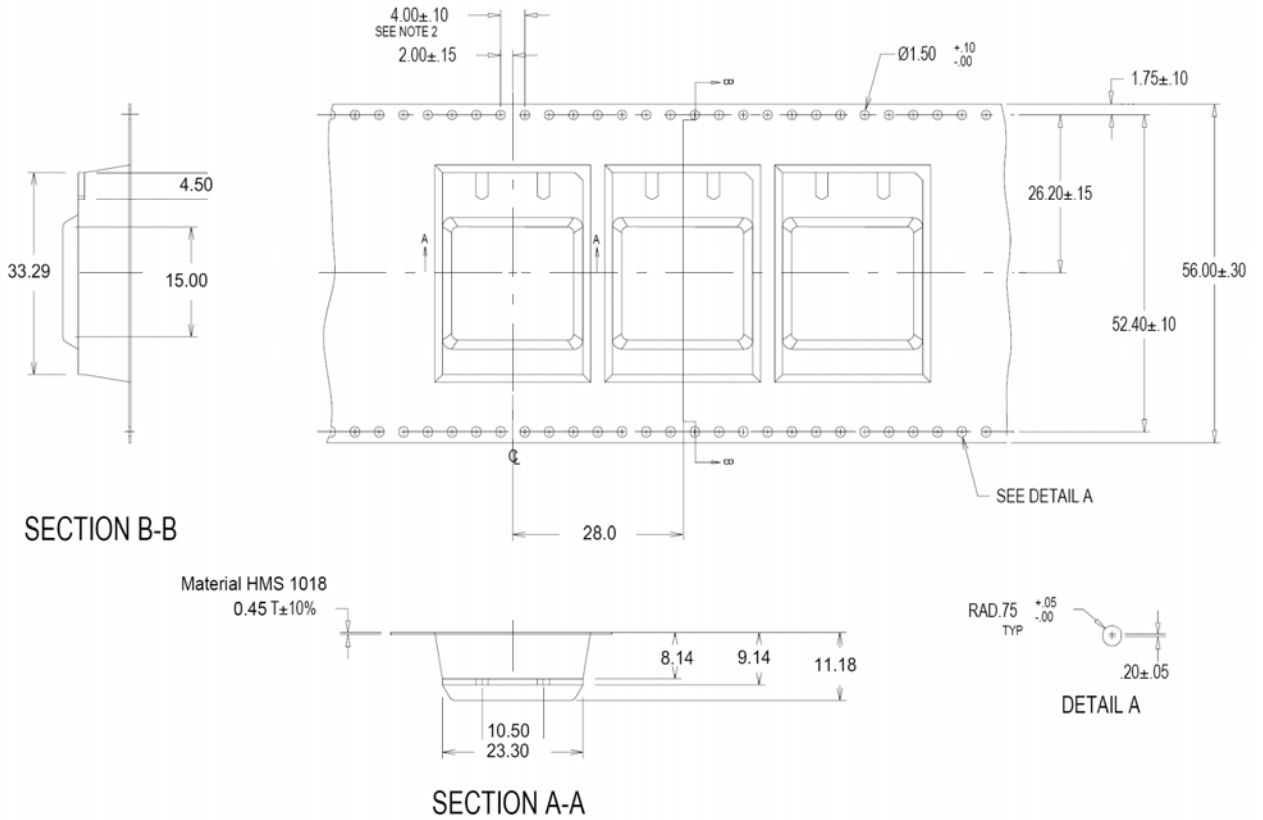
**SMT Recommended Pad Layout (Component Side View)**

**Packaging Details**

The Sixteenth-brick SMT versions are supplied in tape & reel as standard. Details of tape dimensions are shown below. Modules are shipped in quantities of 140 modules per reel.

**Tape Dimensions**

Dimensions are in millimeters.



## Ordering Information

Please contact your Lineage Power Sales Representative for pricing, availability and optional features.

**Table 1. Device Code**

Product Codes	Input Voltage	Output Voltage	Output Current	On/Off Logic	Connector Type	Comcode
KW010A0F41-SR	48V (36-75Vdc)	3.3V	10A	Negative	Surface mount	108996360
KW010A0F41-SRZ	48V (36-75Vdc)	3.3V	10A	Negative	Surface mount	CC109114113
KW006A0A41-SR	48V (36-75Vdc)	5V	6A	Negative	Surface mount	108996385
KW006A0A41-SRZ	48V (36-75Vdc)	5V	6A	Negative	Surface mount	CC109128798

-Z Indicated RoHS Compliant Modules

**Table 2. Device Options**

Option*	Suffix**
Negative remote on/off logic	1
Over-Current (auto-restart)/ Over-Temp Protection(auto-restart) /Over-Voltage (latching)	4 (must be ordered)
Surface mount connections (Tape & Reel)	-SR (must be ordered)



**World Wide Headquarters**  
**Lineage Power Corporation**  
3000 Skyline Drive, Mesquite, TX 75149, USA  
**+1-800-526-7819**  
(Outside U.S.A.: **+1-972-284-2626**)  
**www.lineagepower.com**  
**e-mail: techsupport1@lineagepower.com**

**Asia-Pacific Headquarters**  
Tel: +65 6416 4283

**Europe, Middle-East and Africa Headquarters**  
Tel: +49 89 6089 286

**India Headquarters**  
Tel: +91 80 28411633

Lineage Power reserves the right to make changes to the product(s) or information contained herein without notice. No liability is assumed as a result of their use or application. No rights under any patent accompany the sale of any such product(s) or information.

© 2008 Lineage Power Corporation, (Mesquite, Texas) All International Rights Reserved.