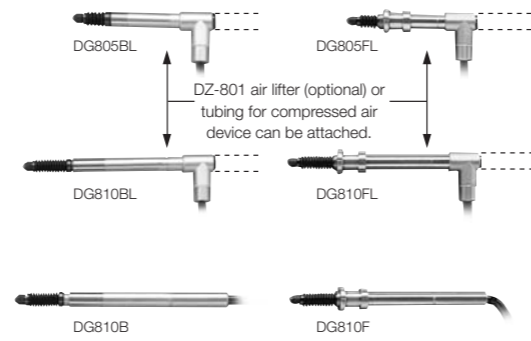
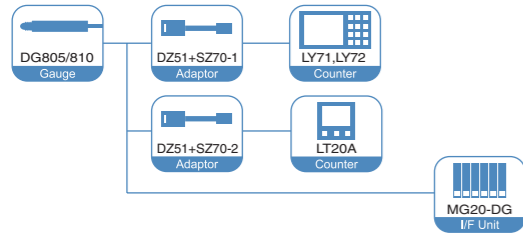


DG

DG805 Series, DG810 Series

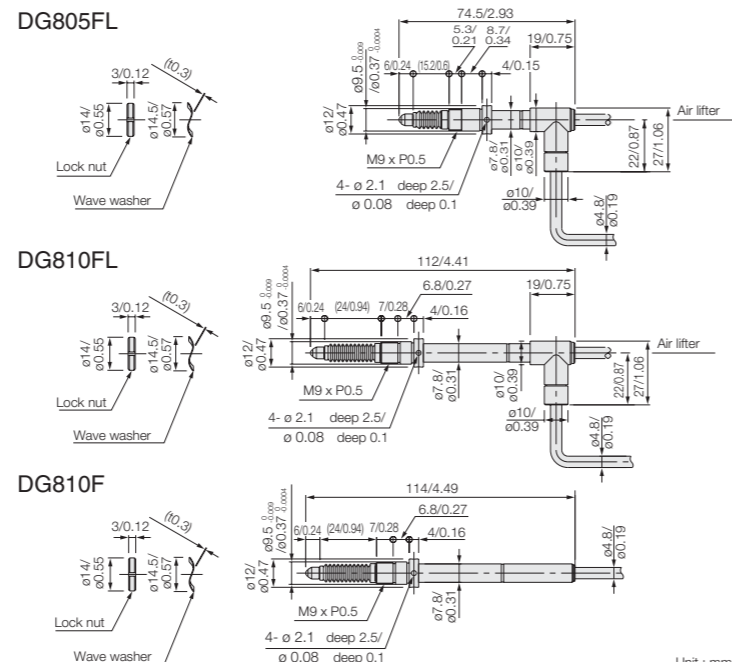
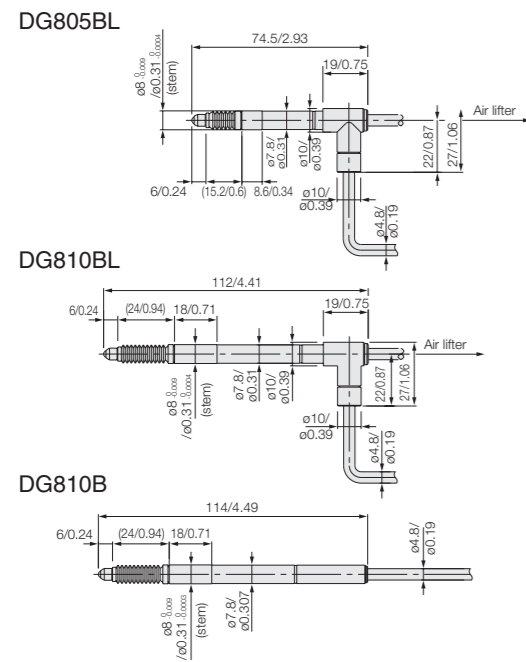
High accuracy, compact, and slim gauges suitable for installation on machines.

- Magnetic principle ● Excellent resistance to workshop conditions. Resistant to oil, water, dust, vibration, and shock. ● Accuracy : 2 μm
- Resolution : 0.5 μm ● Measuring range: 5.2 mm / 0.20" and 10 mm / 0.39"
- Compact and slim: ø8 mm / ø0.31" (outer diameter) 74.5 mm / 2.93" (overall length) (DG805)
- Low measuring force
- Spindle can be moved vertically with an air pressure device (DG805BL/FL, DG810BL/FL).
- Dustproof bellows (standard).
- Easy installation. Flange type gauges also available.



Digital Gauge

Dimensions



Unit : mm/inch

*Please refer to p54 for the details of the screw.

Specifications

Model	DG805BL / FL / BLM / BLE / FLM / FLE	DG810B / F / BM / BE / FM / FE	DG810BL / FL / BLM / BLE / FLM / FLE
Type	For Counter, A/B quadrature signal output type (See Page 26)		
Measuring range	5.2 mm / 0.20"	10 mm / 0.39"	
Resolution	0.5 μm		
Measuring range force	Upward	0.35 ± 0.25 N	0.4 ± 0.3 N
	Lateral	0.4 ± 0.25 N	0.5 ± 0.3 N
	Downward	0.45 ± 0.25 N	0.6 ± 0.3 N
Accuracy (at 20°C / 68°F)	2 μm		
Maximum Response speed	1m/s		
Operating temperature	0 °C to 50 °C / 32 °F to 122 °F (gauge)		
Storage temperature	-20 °C to 60 °C / -4 °F to 140 °F		
Cable length	5 m / 16.4'		
Mounting stem diameter	ø 8 ^{0.009} mm / ø 0.31 ^{0.0004} " F type: ø 9.5 ^{0.009} mm / ø 0.37 ^{0.0004} "		
Feeler	Feeler tipped with ø 3 mm / 0.12" dia. Carbide ball with M2.5 x 0.45 screw on fitting end (DZ-123)		
Mass*1	Approx.20 g / 0.71 oz		Approx.40 g / 1.41 oz
Air lifter	Air lifter DZ-801 mountable*2	—	Air lifter DZ-801 mountable*2

*1 excl. cable unit and Interpolator unit.

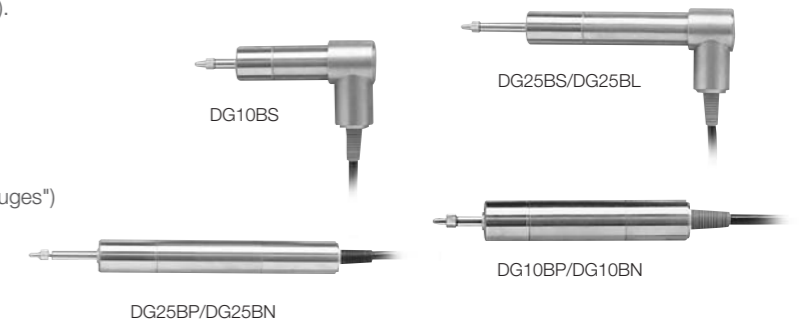
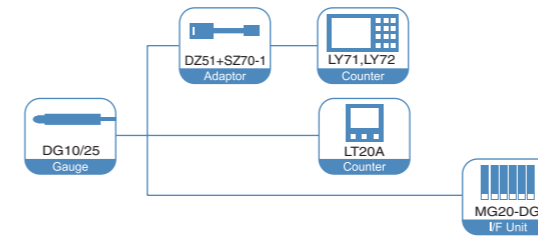
*2 Tubing for compressed air device can be attached.

DG

DG10_B, DG25_B

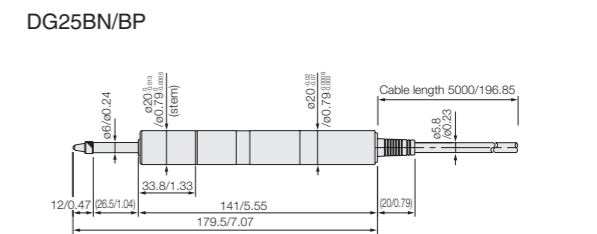
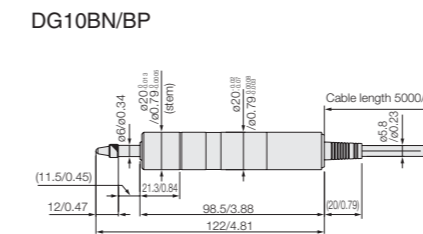
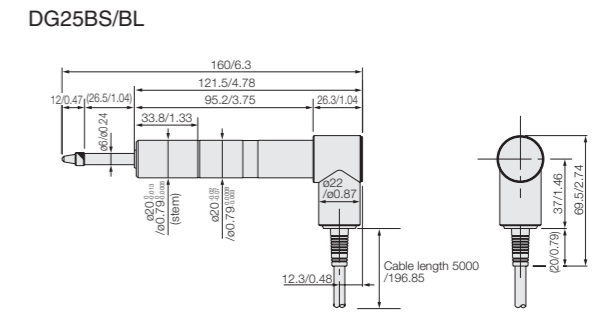
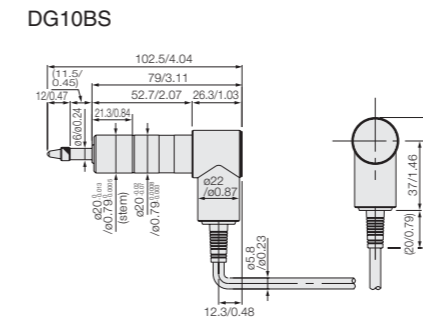
High accuracy, rugged gauges. Suitable for installation on machines.

- Excellent resistance to workshop conditions (BP/BS : IP64). Resistant to oil, water, dust, vibrations, and shocks.
- Accuracy : 2 μm ● Resolution : 0.5 μm
- Measuring range : 10 mm / 0.39" and 25 mm / 0.98"
- High measuring force (BP/BS)
- Low measuring force (BN/BL) ● Easy installation
- A variety of accessories available (See "Accessories for Gauges")



Digital Gauge

Dimensions



Unit : mm/inch

Specifications

Model	DG10BP BPM / BPE	DG10BS BSM / BSE	DG10BN BNM / BNE	DG25BP BPM / BPE	DG25BS BSM/BSE	DG25BN BNM/BNE	DG25BL BLM/BLE
Type	For Counter, A/B quadrature signal output type (See Page 26)						
Measuring range	10 mm / 0.39"			25 mm / 0.98"			
Resolution	0.5 μm			0.5 μm			
Measuring range force	Upward	All direction: 4.9 N or less	0.3 ± 0.25 N	All direction: 4.9 N or less	0.7 ± 0.35 N	0.7 ± 0.35 N	0.4 ± 0.3 N
	Lateral						0.6 ± 0.3 N
	Downward						0.8 ± 0.35 N
Accuracy (at 20°C / 68°F)	2 μm						
Maximum Response speed	1m/s						
Operating temperature	0 °C to 50 °C / 32 °F to 122 °F (gauge)						
Storage temperature	-20 °C to 60 °C / -4 °F to 140 °F						
Cable length	5 m / 16.4'						
Mounting stem diameter	ø 20 mm / ø 0.79"						
Feeler	Feeler ø 2.5 mm carbide ball with M2.5p x 0.45 screw on fitting end (DZ-122)						
Protective design grade	Equivalent to IP64		—	Equivalent to IP64		—	—
Sealing (oil, water, dust)	Oil sealing, O-rings, Y-gaskets		—	Oil sealing, O-rings, Y-gaskets		—	—
Mass*1	Approx.230 g / 0.507 lbs			Approx.300 g / 0.661 lbs			
Lift lever	—	DZ-161 (option)		—	DZ-161 (option)		
Air lifter	—		DZ174-010 (option)*2		DZ174-025 (option)*2		

*1 excl. cable unit and Interpolator unit.

*2 Tubing for compressed air device can be attached.