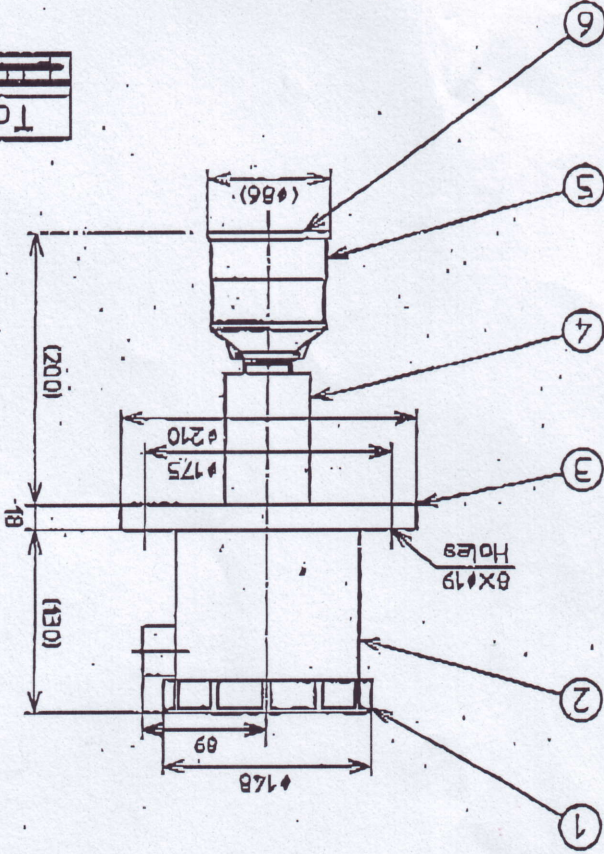


| | | | |
|-------------------|--|----------------------------|--|
| DATE 11-16-2006 | | DR. BY <i>[Signature]</i> | TITLE |
| SCALE 1:5 | | CH. BY | OUTLINE DRAWING OF ULTRASONIC LEVEL MEASUREMENT SENSOR |
| UNITS MILLIMETERS | | APP. BY <i>[Signature]</i> | MODEL XPS10XG |
| NOKHEN INC | | DRAWING NO. TP111602-330C | |

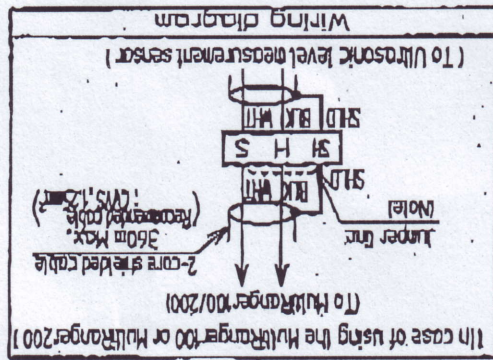
Flange size : Equivalent JIS 10K 100A
Cable inlet : G 3/4

| P.No. | Name | Qty. | Material. |
|-------|-------------------------------------|------|-----------|
| 1 | Cover | 1 | ABS |
| 2 | Terminal box | 1 | ABS |
| 3 | Flange | 1 | PVC |
| 4 | Nipple | 1 | PVC |
| 5 | Ultrasonic level measurement sensor | 1 | PVDF |
| 6 | Face | 1 | PVDF |

| Tag No. | Name | Qty |
|---------|------|-----|
| | | |



Note
Disconnect the jumper line in case of connection to the MultiRanger100 or MultiRanger200.



| REV | DATE | DESCRIPTION | BY | APP. BY |
|-----|------|-------------|----|---------|
| | | | | |
| | | | | |
| | | | | |

[Handwritten signature]
0512-5739619