



- EZ-Cal® II
- Dual conduit housing allows for separation of input wiring and alarm wiring

Features and Benefits

Opti-Sense™

Uses variable radio frequency (VRF™) technology to determine the optimal operating frequency for greatest sensitivity and stability

Wide Variety of Probe Options

Unequaled application versatility

Pro-Guard™

Probe design ignores material build-up on probe

EZ-Cal® II

No initial manual calibration required

Explosion Proof & Stainless Steel Enclosures Available

Provides more options for a wide range of applications

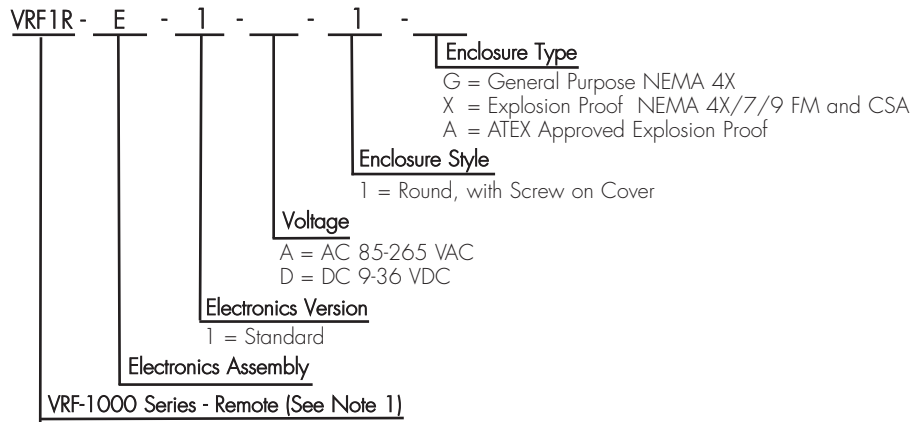
Captive Screws

No lost screws

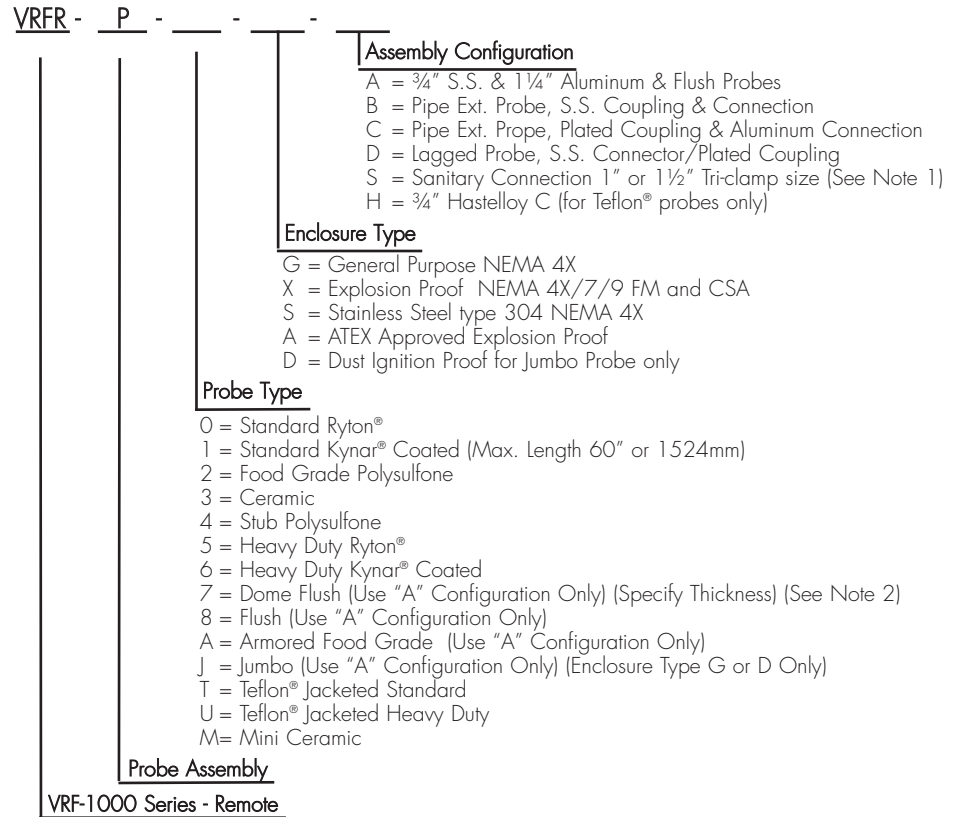
Surpassing the sensitivity of RF technology, VRF™ provides superior level detection. The VRF™ series uses Variable Radio Frequency to detect the presence or absence of material in a vessel by compensating for the load of the probe, as well as the load induced by vessel environment, and automatically determining the optimal operating frequency for the greatest sensitivity and stability. At initial start-up the sensor detects the characteristics of air (no load) and calibrates to it. If installed in material, when the load is reduced (material leaves probe), the VRF™ senses this change and automatically recalibrates to its new condition without the need of an operator or technician. The VRF-1000 Remote is ideal for high temperature and vibration applications.

Bindicator® manufactures an array of VRF™ probes, each tailored for specific applications. When combined with our large selection of probes, we have a VRF™ sensor for virtually every application. Please consult one of our representatives or call the factory for application assistance.

How to Order



Note 1: Sensor cannot be more than 25 feet (8m) from electronics.



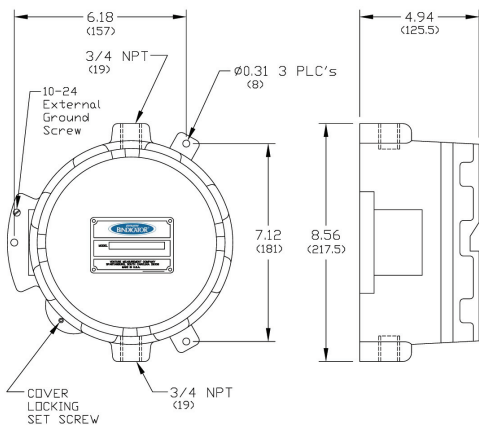
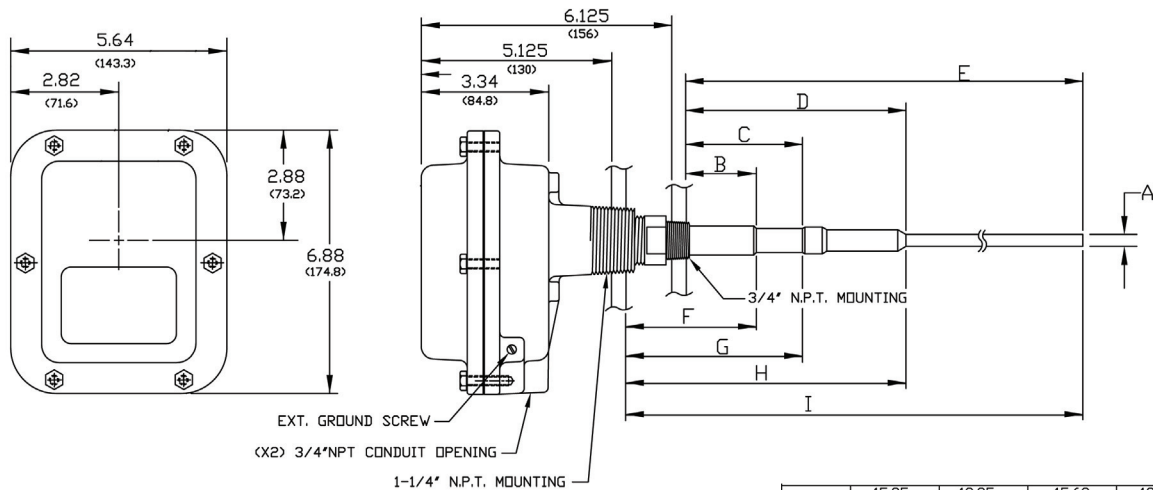
Note 1: For 3A Sanitary Connection Add "3A" at end of the model code. Configuration "S" must be used and either "Type 2" Food Grade probe or "Type 4" Stub probe.

Note 2: Thickness of probe must be specified, 3/8", 1/2", 5/8" or 3/4" wall thickness.

Specifications

Universal Input Power:	85 VAC - 265 VAC DC input power: 9 VDC - 36 VDC
Power:	3 watts
Output Relay:	DPDT 6 amp @ 240 VAC, 6 amps @ 30 VDC, Minimum load 12V/100mA
Temperature Range:	-40° F to 158° F (-40° C to 70° C)
Sensitivity:	Dip-switch selectable for 1pF, 2pF, 5pF or 10pF
Time Delay:	Dip-switch selectable for 1, 4, 8 or 15 seconds
Fail Safe:	High-Low level failsafe dip-switch
Calibration:	Push-button, intelligent recalibration
Remote Distance:	Sensor can be installed up to 25 feet (8m) from electronics
Approvals:	FM and CSA listed for non-hazardous and hazardous locations Class I, Groups C, D; Class II, Groups E,F, G (pending) - enclosure types NEMA 4X/7/9

Dimensions



I	15.25 (387.5)	19.25 (489)	15.62 (396.7)	19.62 (498.35)	15.25 (387.35)
H	7.00 (178)	11.75 (298.5)	7.00 (178)	11.75 (298.5)	3.63 (92.2)
G	4.50 (115)	10.00 (254)	4.50 (115)	10.00 (254)	3.25 (82.55)
F	3.38 (86)	8.5 (216)	3.38 (86)	8.5 (216)	2.75 (69.85)
E	14.25 (362)	19.25 (489.5)	14.62 (371.4)	18.62 (472.95)	14.25 (362)
D	6.00 (152.5)	10.75 (273)	6.00 (152.5)	10.75 (273)	2.63 (66.8)
C	3.50 (89)	9.00 (228.5)	3.50 (89)	9.00 (228.5)	2.25 (57.2)
B	2.38 (60.5)	7.50 (190.5)	2.38 (60.5)	7.50 (190.5)	1.75 (44.5)
A	.31 DIA. (8)	.38 DIA. (9.5)	.31 DIA. (8)	.38 DIA. (9.5)	.31 DIA. (8)
APPROX DIM'S	STD. & FOODGRADE	H.D.	STD. KYNAR COATED	H.D. KYNAR COATED	STUB



150 Venture Boulevard · Spartanburg, SC 29306
Tel: (800) 778-9242 · (864) 574-8060
Fax: (864) 574-8063 E-mail: sales@bindicator.com
www.bindicator.com

Telfon® is a registered trademark of E.I. Du Pont
Ryton® is a registered trademark of Chevron Phillips Chemical
Kynar® is a registered trademark of Arkema, Inc.
2006 All rights reserved.
All data subject to change without notice.



VRF 180250 Rev. C