



- High or low level fail-safe operation
- Lights on enclosure cover
- External function test

The Roto-Bin-Dicator® is the most universal of all level sensing technologies and is the most popular level switch used in dry bulk materials. The Roto-Bin-Dicator® is a rotating paddle type, bulk material level sensor offered with a wide variety of paddle options for unequalled application versatility. It is easy to install and requires no special tools or calibration.

## Features and Benefits

**Simple Mechanical Mechanism**  
No calibration required

**Wide Variety of Paddle Options**  
Unequaled application versatility

**Mount in Any Orientation**  
Gives user the option of applying a sensor for high, intermediate, or low level control

**Explosion Proof & Stainless Steel Enclosures Available**  
Provides more options for a wide range of applications

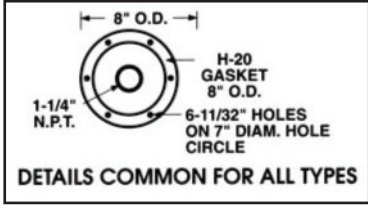
**Special Motor Design**  
Allows power to be applied all the time, producing heat and eliminating condensation inside the enclosure

**Captive Screws**  
No lost screws

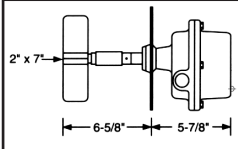
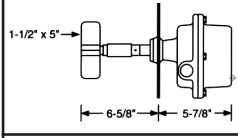
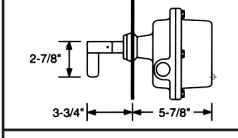
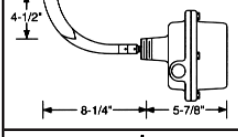
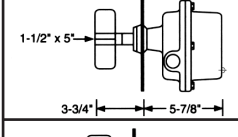
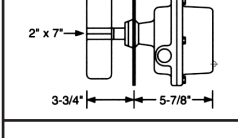
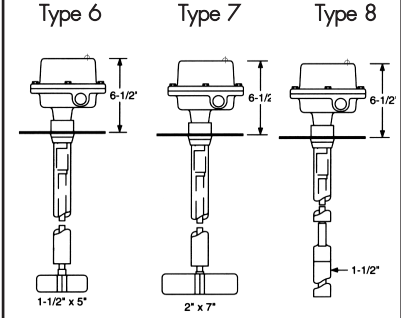
**Super Safe Operation**  
In the event of power loss, open or shorted motor circuit, component failure of motor or clutch (output shaft stops rotating) in either high or low level applications, Super-Safe-Plus, operation will generate the desired control response from the output relay and provide notification of failure

## How to Order

		Units with 120VAC INPUT (50/60 cycle 5 watts)		Units with 240VAC INPUT (50/60 cycle 5 watts)	
		Weather-proof NEMA 4X	Explosion-proof NEMA (7-9)	Weather-proof NEMA 4X	Explosion-proof NEMA (7-9)
<b>Mounting</b> Side of Bin with mounting plate. High, Intermediate and Low Level Indication	Molded Neoprene flexible shaft. Large 4-vane paddle. 2" x 7" <b>Type 1:</b> For most applications with temperatures below 160° F (71° C). For materials weighing less than 30 lbs./cu. ft.	RSSP1G-1	RSSP1X-1	RSSP2G-1	RSSP2X-1
	Molded Neoprene flexible shaft. Standard 4-vane paddle. 1½" x 5" <b>Type 2:</b> For most applications with temperatures below 160° F (71° C). For materials weighing 30 to 75 lbs./cu. ft.	RSSP1G-2	RSSP1X-2	RSSP2G-2	RSSP2X-2
	Single vane paddle. 2½" <b>Type 3:</b> For heavy (approx. 75 lbs./cu. ft. or more), medium-size materials (sand, gravel, etc.)	RSS1G-3	RSS1X-3	RSS2G-3	RSS2X-3
	Single vane paddle - insertable thru 1¼" mounting coupling. <b>Type 3i:</b> Curved 9" diameter for materials weighing over 20 lbs/cu. ft. No mounting plate included	RSSP1G-3i	RSSP1X3i	RSSP2G-3i	RSSP2X3i
	Standard 4-vane paddle. 1½" x 5" <b>Type 4:</b> Common configuration for most materials, where short shaft is preferred.	RSSP1G-4	RSSP1X-4	RSSP2G-4	RSSP2X-4
	Large 4-vane paddle. 2" x 7" <b>Type 5:</b> Same as type 4 except large paddle for materials weighing less than 30 lbs./cu. ft.	RSSP1G-5	RSSP1X-5	RSSP2G-5	RSSP2X-5
<b>Mounting</b> Top of Bin with mounting plate to receive shaft guard. (Preferred high-level mounting.) Shaft extensions and shaft guards ordered separately. Available in galvanized or stainless steel	Shaft coupling to receive shaft extension. Standard 4-vane paddle. 1½" x 5" <b>Type 6:</b> Common configuration for most top-mounted applications.	RSSP1G-6	RSSP1X-6	RSSP2G-6	RSSP2X-6
	Shaft coupling to receive shaft extension. Large 4-vane paddle. 2" x 7" <b>Type 7:</b> Same as type 6 except large H-371 paddle for light or aerated materials less than 30 lbs./cu. ft.	RSSP1G-7	RSSP1X-7	RSSP2G-7	RSSP2X-7
	Shaft coupling to receive shaft extension. Neoprene or stainless steel multiflex paddle. <b>Type 8:</b> For heavy, large lump materials. Control should be located so product pins paddle to bin wall. H-374 long, stainless steel multiflex paddle for heavy and/or sticky materials. both paddles approx. 50 lbs./cu. ft. or more.	RSSP1G-8	RSSP1X-8	RSSP2G-8	RSSP2X-8

<b>Housing and Cover:</b>	Dust-tight and weatherproof (NEMA 4,5), polyester-coated aluminum casting Explosion-proof (NEMA 7,9), polyester-coated aluminum casting
<b>Drive Shaft Assembly:</b>	Precision machined shaft with two shielded ball bearings
<b>Shaft Seal:</b>	Teflon®/Viton® rated ½ micron at 30 psi at 400° F (204° C)
<b>Operating Temperature:</b>	-40° F (-40° C) to 200° F (93° C)
<b>Motor Rating:</b>	120 VAC, ±10%, 50/60 Hz, 1 rpm
<b>Conduit Connection:</b>	Drilled and tapped for ¾" NPT pipe conduit
<b>Mounting Plate:</b>	8" outside diameter with 1¼" NPT coupling; standard painted mild steel; optional 302 stainless steel
<b>Fail-Safe Circuitry:</b>	Low or high level field selectable
<b>Rigid Shaft and Paddle:</b>	Metal parts of all designs are 304 stainless steel
<b>Flex Shaft:</b>	Available in either neoprene, 160° F (71° C) or silicone, 400° F (204° C) coatings
<b>External Lights:</b>	Green (power/diagnostics) and red (alarm/diagnostics) lights
<b>Pulse Wheel:</b>	A multi-toothed pulse wheel, combined with an opto-reflective circuit, provides continuous monitoring of shaft rotation
<b>Mounting Plate Dimensions:</b>	 <p>8" O.D. H-20 GASKET 8" O.D. 1-1/4" N.P.T. 6-11/32" HOLES ON 7" DIAM. HOLE CIRCLE <b>DETAILS COMMON FOR ALL TYPES</b></p>
<b>Relay:</b>	"Level Alarm" relay contacts: SPDT, 1 Form C, 10 amps at 125 VAC, 6 Amps at 277 VAC, 5 Amps at 30 VDC, 1/8 HP at 125/277 VAC. "Failure Indication" relay contacts; SPDT, 1 Form C, 0.6 amps at 125 VAC, 2 Amps at 30 VDC
<b>Power Supply:</b>	120 V and 240 V available (see how to order chart)
<b>Power Consumption:</b>	7 watts; 1/8amp internally fused
<b>Shipping Weight:</b>	Power Pak only Aluminum housing: 10 lbs
<b>Approvals:</b>	UL, CSA listed for NEMA 4X for general purpose; UL, CSA listed for explosion-proof in hazardous Class I, Groups C & D and Class II, Groups E, F & G.

## Dimensions

 <p>2" x 7" 6-5/8" 5-7/8"</p>	<p><b>Type 1</b> Molded Neoprene flexible shaft. Large 4-vane paddle.</p>
 <p>1-1/2" x 5" 6-5/8" 5-7/8"</p>	<p><b>Type 2</b> Molded Neoprene flexible shaft. Standard 4-vane paddle</p>
 <p>2-7/8" 3-3/4" 5-7/8"</p>	<p><b>Type 3</b> Single pane paddle</p>
 <p>4-1/2" 8-1/4" 5-7/8"</p>	<p><b>Type 3i</b> Single vane paddle - insertable thru 1¼" mounting coupling</p>
 <p>1-1/2" x 5" 3-3/4" 5-7/8"</p>	<p><b>Type 4</b> Standard 4-vane paddle</p>
 <p>2" x 7" 3-3/4" 5-7/8"</p>	<p><b>Type 5</b> Large 4-vane paddle</p>
 <p>Type 6: 6-1/2" Type 7: 6-1/2" Type 8: 6-1/2" 1-1/2" x 5" 2" x 7"</p>	<p><b>Type 6:</b> Shaft coupling to receive shaft extension. Standard 4-vane paddle.</p> <p><b>Type 7:</b> Shaft coupling to receive shaft extension. Large 4-vane paddle.</p> <p><b>Type 8:</b> Shaft coupling to receive shaft extension. Neoprene or stainless steel multiflex paddle.</p>



150 Venture Boulevard · Spartanburg, SC 29306  
Tel: (800) 778-9242 · (864) 574-8060  
Fax: (864) 574-8063 E-mail: sales@bindicator.com  
www.bindicator.com