



- Low level fail-safe protection
- Low torque motor
- Few parts

The Roto-Bin-Dicator® is the most universal of all level sensing technologies and is the most popular level switch used in dry bulk materials. The Roto-Bin-Dicator® is a rotating paddle type, bulk material level sensor offered with a wide variety of paddle options for unequaled application versatility. It is easy to install and requires no special tools or calibration.

Features and Benefits How to Order

Simple Mechanical Mechanism
No calibration required

Wide Variety of Paddle Options
Unequaled application versatility

Mount in Any Orientation
Gives user the option of applying a sensor for high, intermediate, or low level control

1 or 2 SPDT Switches
Gives user the capability to turn off or on up to two auxiliary devices

Explosion Proof & Stainless Steel Enclosures Available
Provides more options for a wide range of applications

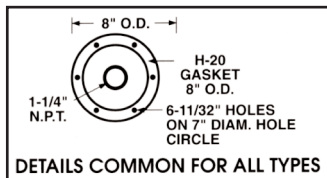
Special Motor Design
Allows power to be applied all the time, producing heat and eliminating condensation inside the enclosure

Captive Screws
No lost screws

		Units with 120VAC INPUT (50/60 cycle 5 watts)				Units with 240VAC INPUT (50/60 cycle 5 watts)			
		Weather-proof	Explosion-proof	Weather-proof	Explosion-proof	Weather-proof	Explosion-proof	Weather-proof	Explosion-proof
Mounting Side of Bin with mounting plate. High, Intermediate and Low Level Indication	Molded Neoprene flexible shaft. Large 4-vane paddle. 2" x 7" Type 1: For most applications with temperatures below 160° F (71° C). For materials weighing less than 30 lbs./cu. ft.	R-H-1	RX-H-1	RA-H-1	RXA-H-1	RB-H-1	RXB-H-1	RC-H-1	RXC-H-1
	Molded Neoprene flexible shaft. Standard 4-vane paddle. 1½" x 5" Type 2: For most applications with temperatures below 160° F (71° C). For materials weighing 30 to 75 lbs./cu. ft.	R-H-2	RX-H-2	RA-H-2	RXA-H-2	RB-H-2	RXB-H-2	RC-H-2	RXC-H-2
	Single vane paddle. 2½" Type 3: For heavy (approx. 75 lbs./cu. ft. or more), medium-size materials (sand, gravel, etc.)	R-H-3	RX-H-3	RA-H-3	RXA-H-3	RB-H-3	RXB-H-3	RC-H-3	RXC-H-3
	Single vane paddle - insertable thru 1¼" mounting coupling. Type 3i: Curved 9" diameter for materials weighing over 20 lbs./cu. ft. No mounting plate included	R-H-3i	RX-H-3i	RA-H-3i	RXA-H-3i	RB-H-3i	RXB-H-3i	RC-H-3i	RXC-H-3i
	Standard 4-vane paddle. 1½" x 5" Type 4: Common configuration for most materials, where short shaft is preferred.	R-H-4	RX-H-4	RA-H-4	RXA-H-4	RB-H-4	RXB-H-4	RC-H-4	RXC-H-4
Mounting Top of Bin with mounting plate to receive shaft guard. (Preferred high-level mounting.) Shaft extensions and shaft guards ordered separately. Available in galvanized or stainless steel	Shaft coupling to receive shaft extension. Standard 4-vane paddle. 1½" x 5" Type 6: Common configuration for most top-mounted applications.	R-H-6	RX-H-6	RA-H-6	RXA-H-6	RB-H-6	RXB-H-6	RC-H-6	RXC-H-6
	Shaft coupling to receive shaft extension. Large 4-vane paddle. 2" x 7" Type 7: Same as type 6 except large H-371 paddle for light or aerated materials less than 30 lbs./cu. ft.	R-H-7	RX-H-7	RA-H-7	RXA-H-7	RB-H-7	RXB-H-7	RC-H-7	RXC-H-7
	Shaft coupling to receive shaft extension. Neoprene or stainless steel multiflex paddle. Type 8: For heavy, large lump materials. Control should be located so product pins paddle to bin wall. H-374 long, stainless steel multiflex paddle for heavy and/or sticky materials. Both paddles approx. 50 lbs./cu. ft. or more.	R-H-8	RX-H-8	RA-H-8	RXA-H-8	RB-H-8	RXB-H-8	RC-H-8	RXC-H-8
	Shaft coupling to receive shaft extension. Standard 4-vane paddle. 1½" x 5" Type 6: Common configuration for most top-mounted applications.	R-H-6	RX-H-6	RA-H-6	RXA-H-6	RB-H-6	RXB-H-6	RC-H-6	RXC-H-6
	Shaft coupling to receive shaft extension. Large 4-vane paddle. 2" x 7" Type 7: Same as type 6 except large H-371 paddle for light or aerated materials less than 30 lbs./cu. ft.	R-H-7	RX-H-7	RA-H-7	RXA-H-7	RB-H-7	RXB-H-7	RC-H-7	RXC-H-7

Housing and Cover:	Dust-tight and weatherproof (NEMA 4X, 5) polyester-coated aluminum casting. Optional: Explosion-proof (NEMA 7, 9) polyester-coated aluminum casting or stainless steel casting
Drive Shaft Assembly:	Precision machined shaft with two shielded ball bearings
Shaft Seal:	Teflon®/Viton® Lip Seal rated ½ Micron at 30 psi at 400° F (204° C)
Operating Temperature:	-40° F (-40° C) to 200° F (93° C)
Motor Rating:	AC version: 4 watts, 120 VAC ± 10% 50/60 Hz, 1 rpm DC version:
Conduit Connection:	Drilled and tapped for ¾" NPT pipe conduit
Mounting Plate:	8" outside diameter with 1¼" NPT pipe thread coupling; standard painted mild steel; optional 302 S.S.
Fail-Safe Circuitry:	Low level fail-safe
Rigid Shaft and Paddle:	Metal parts of all designs are 304 stainless steel
Flex Shaft:	Available in either neoprene, 160° F (71° C) or silicone, 400° F (204° C) coatings

Mounting Plate Dimensions:



Shipping Weight:	Aluminum Housing, 10 lbs. Stainless Steel Housing, 16 lbs.
Electrical Specifications:	Specific applications determine the electrical requirements which are a prime consideration in the selection of models
Approvals:	UL, CSA listed for weather-proof, non-hazardous; UL, CSA listed for explosion-proof in hazardous Class I, Groups C & D, and Class II, Groups E, F & G; Atex, gas and dust.

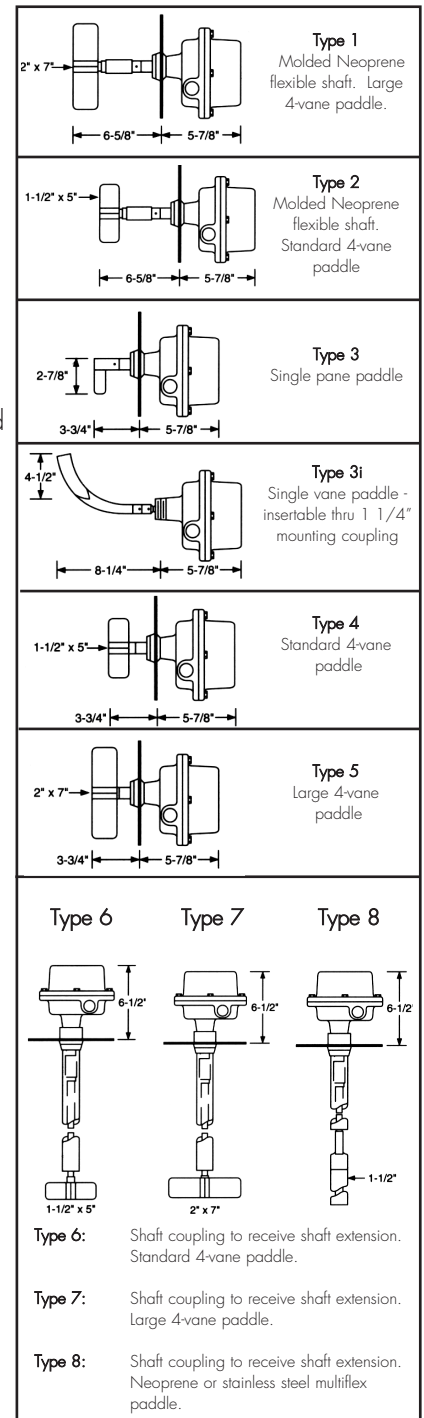
IMPORTANT:

Consult factory on applications where housing ambient temperature is above 200° F (93° C). Shaft extensions and guards are available in galvanized, T-303 stainless steel, and T-316 stainless steel. The Roto-Bin-Dicator® is also available with the Super-Safe-Plus option. Ask for brochure LAR 180103 for more details.

Specify Options —

- A. Stainless steel mounting plate in place of mild steel.
- B. Addition of flexible shaft to top-of-bin types.
- C. Paddles, motor, mounting plates and flex-shafts are available individually.

Dimensions



150 Venture Boulevard · Spartanburg, SC 29306
Tel: (800) 778-9242 · (864) 574-8060
Fax: (864) 574-8063 E-mail: sales@bindicator.com
www.bindicator.com

Teflon® is a registered trademark of E.I. du Pont.
Viton® is a registered trademark of DuPont Performance Elastomers L.L.C.
2008 All rights reserved.
All data subject to change without notice.

