

**NORME
INTERNATIONALE
INTERNATIONAL
STANDARD**

**CEI
IEC
60529**

Edition 2.1

2001-02

Edition 2:1989 consolidée par l'amendement 1:1999
Edition 2:1989 consolidated with amendment 1:1999

**Degrés de protection procurés
par les enveloppes (Code IP)**

**Degrees of protection provided
by enclosures (IP Code)**



Numéro de référence
Reference number
CEI/IEC 60529:1989+A1:1999

NORME
INTERNATIONALE
INTERNATIONAL
STANDARD

CEI
IEC
60529

Edition 2.1

2001-02

Edition 2:1989 consolidée par l'amendement 1:1999
Edition 2:1989 consolidated with amendment 1:1999

**Degrés de protection procurés
par les enveloppes (Code IP)**

**Degrees of protection provided
by enclosures (IP Code)**

© IEC 2001 Droits de reproduction réservés — Copyright - all rights reserved

Aucune partie de cette publication ne peut être reproduite ni utilisée sous quelque forme que ce soit et par aucun procédé, électronique ou mécanique, y compris la photocopie et les microfilms, sans l'accord écrit de l'éditeur.

No part of this publication may be reproduced or utilized in any form or by any means, electronic or mechanical, including photocopying and microfilm, without permission in writing from the publisher.

International Electrotechnical Commission
Telefax: +41 22 919 0300

e-mail: inmail@iec.ch

3, rue de Varembé Geneva, Switzerland
IEC web site <http://www.iec.ch>



Commission Electrotechnique Internationale
International Electrotechnical Commission
Международная Электротехническая Комиссия

CODE PRIX
PRICE CODE

X

*Pour prix, voir catalogue en vigueur
For price, see current catalogue*

CONTENTS

	Page
FOREWORD.....	9
INTRODUCTION.....	11
Clause	
1 Scope and object.....	13
2 Normative references	15
3 Definitions	15
4 Designations	19
4.1 Arrangement of the IP Code	19
4.2 Elements of the IP Code and their meanings	21
4.3 Examples for the use of letters in the IP Code	23
5 Degrees of protection against access to hazardous parts and against solid foreign objects indicated by the first characteristic numeral.....	23
5.1 Protection against access to hazardous parts.....	23
5.2 Protection against solid foreign objects	25
6 Degrees of protection against ingress of water indicated by the second characteristic numeral	27
7 Degrees of protection against access to hazardous parts indicated by the additional letter	31
8 Supplementary letters.....	33
9 Examples of designations with the IP Code	33
9.1 IP Code not using optional letters:.....	33
9.2 IP Code using optional letters:.....	35
10 Marking	35
11 General requirements for tests	37
11.1 Atmospheric conditions for water or dust tests.....	37
11.2 Test samples.....	37
11.3 Application of test requirements and interpretation of test results	37
11.4 Combination of test conditions for the first characteristic numeral.....	37
11.5 Empty enclosures.....	39
12 Tests for protection against access to hazardous parts indicated by the first characteristic numeral	39
12.1 Access probes.....	39
12.2 Test conditions.....	39
12.3 Acceptance conditions.....	43
12.3.1 For low-voltage equipment (rated voltages not exceeding 1 000 V a.c. and 1 500 V d.c.)	43
12.3.2 For high-voltage equipment (rated voltages exceeding 1 000 V a.c. and 1 500 V d.c.).....	43
12.3.3 For equipment with hazardous mechanical parts.....	43

Clause	Page
13 Tests for protection against solid foreign objects indicated by the first characteristic numeral	45
13.1 Test means	45
13.2 Test conditions for first characteristic numerals 1, 2, 3, 4	45
13.3 Acceptance conditions for first characteristic numerals 1, 2, 3, 4	45
13.4 Dust test for first characteristic numerals 5 and 6	45
13.5 Special conditions for first characteristic numeral 5	49
13.5.1 Test conditions for first characteristic numeral 5	49
13.5.2 Acceptance conditions for first characteristic numeral 5	49
13.6 Special conditions for first characteristic numeral 6	49
13.6.1 Test conditions for first characteristic numeral 6	49
13.6.2 Acceptance conditions for first characteristic numeral 6	49
14 Tests for protection against water indicated by the second characteristic numeral	49
14.1 Test means	49
14.2 Test conditions	51
14.2.1 Test for second characteristic numeral 1 with the drip box	53
14.2.2 Test for second characteristic numeral 2 with the drip box	53
14.2.3 Test for second characteristic numeral 3 with oscillating tube or spray nozzle	53
14.2.4 Test for second characteristic numeral 4 with oscillating tube or spray nozzle	55
14.2.5 Test for second characteristic numeral 5 with the 6,3 mm nozzle	57
14.2.6 Test for second characteristic numeral 6 with the 12,5 mm nozzle	57
14.2.7 Test for second characteristic numeral 7: temporary immersion between 0,15 m and 1 m	57
14.2.8 Test for second characteristic numeral 8: continuous immersion subject to agreement	59
14.3 Acceptance conditions	59
15 Tests for protection against access to hazardous parts indicated by the additional letter	59
15.1 Access probes	59
15.2 Test conditions	59
15.3 Acceptance conditions	61
Annex A (informative) Examples of IP coding for the verification of protection of low-voltage equipment against access to hazardous parts	75
Annex B (informative) Summary of responsibilities of relevant technical committees	87
Bibliography	91

	Page
Figure 1 – Jointed test finger	63
Figure 2 – Test device to verify protection against dust (dust chamber)	65
Figure 3 – Test device to verify protection against vertically falling water drops (drip box)	67
Figure 4 – Test device to verify protection against spraying and splashing water; second characteristic numerals 3 and 4 (oscillating tube).....	69
Figure 5 – Hand-held device to verify protection against spraying and splashing water; second characteristic numerals 3 and 4 (spray nozzle)	71
Figure 6 – Test device to verify protection against water jets (hose nozzle)	73
Table 1 – Degrees of protection against access to hazardous parts indicated by the first characteristic numeral.....	25
Table 2 – Degrees of protection against solid foreign objects indicated by the first characteristic numeral.....	27
Table 3 – Degrees of protection against water indicated by the second characteristic numeral.....	29
Table 4 – Degrees of protection against access to hazardous parts indicated by the additional letter.....	31
Table 5 – Test conditions for degrees of protection indicated by the first characteristic numeral.....	39
Table 6 – Access probes for the tests for protection of persons against access to hazardous parts.....	41
Table 7 – Test means for the tests for protection against solid foreign objects	45
Table 8 – Test means and main test conditions for the tests for protection against water	51
Table 9 – Total water flow rate q_V under IPX3 and IPX4 test conditions – Mean flow rate per hole $q_{Vl} = 0,07$ l/min.....	55
IP Codes of examples in annex A	85

INTERNATIONAL ELECTROTECHNICAL COMMISSION

DEGREES OF PROTECTION PROVIDED BY ENCLOSURES (IP Code)

FOREWORD

- 1) The IEC (International Electrotechnical Commission) is a worldwide organization for standardization comprising all national electrotechnical committees (IEC National Committees). The object of the IEC is to promote international co-operation on all questions concerning standardization in the electrical and electronic fields. To this end and in addition to other activities, the IEC publishes International Standards. Their preparation is entrusted to technical committees; any IEC National Committee interested in the subject dealt with may participate in this preparatory work. International, governmental and non-governmental organizations liaising with the IEC also participate in this preparation. The IEC collaborates closely with the International Organization for Standardization (ISO) in accordance with conditions determined by agreement between the two organizations.
- 2) The formal decisions or agreements of the IEC on technical matters express, as nearly as possible, an international consensus of opinion on the relevant subjects since each technical committee has representation from all interested National Committees.
- 3) The documents produced have the form of recommendations for international use and are published in the form of standards, technical specifications, technical reports or guides and they are accepted by the National Committees in that sense.
- 4) In order to promote international unification, IEC National Committees undertake to apply IEC International Standards transparently to the maximum extent possible in their national and regional standards. Any divergence between the IEC Standard and the corresponding national or regional standard shall be clearly indicated in the latter.
- 5) The IEC provides no marking procedure to indicate its approval and cannot be rendered responsible for any equipment declared to be in conformity with one of its standards.
- 6) Attention is drawn to the possibility that some of the elements of this International Standard may be the subject of patent rights. The IEC shall not be held responsible for identifying any or all such patent rights.

International Standard IEC 60529 has been prepared by technical committee 70: Degrees of protection by enclosures.

This second edition cancels and replaces the first edition published in 1976 and constitutes a technical revision.

This consolidated version of IEC 60529 is based on the second edition (1989) [documents 70(CO)13 + 70(CO)16 and 70(CO)15 + 70(CO)17], and its amendment 1 (1999) [documents 70/91/FDIS and 70/92/RVD].

It bears the edition number 2.1.

A vertical line in the margin shows where the base publication has been modified by amendment 1.

Annexes A and B are for information only.

INTRODUCTION

This standard describes a system for classifying the degrees of protection provided by the enclosures of electrical equipment. Whilst this system is suitable for use with most types of electrical equipment, it should not be assumed that all the listed degrees of protection are applicable to a particular type of equipment. The manufacturer of the equipment should be consulted to determine the degrees of protection available and the parts of equipment to which the stated degree of protection applies.

The adoption of this classification system, wherever possible, will promote uniformity in methods of describing the protection provided by the enclosure and in the tests to prove the various degrees of protection. It should also reduce the number of types of test devices necessary to test a wide range of products.

This second edition of IEC 60529 takes account of experiences with the first edition, and clarifies the requirements. It provides for an optional extension of the IP Code by an additional letter A, B, C, or D if the actual protection of persons against access to hazardous parts is higher than that indicated by the first characteristic numeral.

In general, enclosures with an IP coding to the first edition would be eligible for the same code according to this edition.

DEGREES OF PROTECTION PROVIDED BY ENCLOSURES (IP Code)

1 Scope and object

This standard applies to the classification of degrees of protection provided by enclosures for electrical equipment with a rated voltage not exceeding 72,5 kV.

The object of this standard is to give:

- a) *Definitions* for degrees of protection provided by enclosures of electrical equipment as regards:
 - 1) protection of persons against access to hazardous parts inside the enclosure;
 - 2) protection of the equipment inside the enclosure against ingress of solid foreign objects;
 - 3) protection of the equipment inside the enclosure against harmful effects due to the ingress of water.
- b) *Designations* for these degrees of protection.
- c) *Requirements* for each designation.
- d) *Tests* to be performed to verify that the enclosure meets the requirements of this standard.

It will remain the responsibility of individual technical committees to decide on the extent and manner in which, the classification is used in their standards and to define “enclosure” as it applies to their equipment. However, it is recommended that for a given classification the tests do not differ from those specified in this standard. If necessary, complementary requirements may be included in the relevant product standard. A guide for the details to be specified in relevant product standards is given in annex B.

For a particular type of equipment, a technical committee may specify different requirements provided that at least the same level of safety is ensured.

This standard deals only with enclosures that are in all other respects suitable for their intended use as specified in the relevant product standard and which from the point of view of materials and workmanship ensure that the claimed degrees of protection are maintained under the normal conditions of use.

This standard is also applicable to empty enclosures provided that the general test requirements are met and that the selected degree of protection is suitable for the type of equipment to be protected.

Measures to protect both the enclosure and the equipment inside the enclosure against external influences or conditions such as

- mechanical impacts
- corrosion
- corrosive solvents (for example, cutting liquids)
- fungus
- vermin
- solar radiation
- icing
- moisture (for example, produced by condensation)
- explosive atmospheres

and the protection against contact with hazardous moving parts external to the enclosure (such as fans), are matters for the relevant product standard to be protected.

Barriers external to the enclosure and not attached to it and obstacles which have been provided solely for the safety of personnel are not considered as a part of the enclosure and are not dealt with in this standard.

2 Normative references

The following normative documents contain provisions which, through reference in this text, constitute provisions of this International Standard. For dated references, subsequent amendments to, or revisions of, any of these publications do not apply. However, parties to agreements based on this International Standard are encouraged to investigate the possibility of applying the most recent editions of the normative documents indicated below. For undated references, the latest edition of the normative document referred to applies. Members of IEC and ISO maintain registers of currently valid International Standards.

IEC 60050-195:1998, *International Electrotechnical Vocabulary (IEV) – Part 195: Earthing and protection against electric shock*

IEC 60050(826):1982, *International Electrotechnical Vocabulary (IEV) – Chapter 826: Electrical installations of buildings*

IEC 60068-1:1988, *Environmental testing – Part 1: General and guidance*

IEC 60068-2-68:1994, *Environmental testing – Part 2: Tests – Test L: Dust and sand*

IEC 60071-2:1996, *Insulation co-ordination – Part 2: Application guide*

3 Definitions

For the purpose of this standard, the following definitions apply:

3.1 enclosure

a part providing protection of equipment against certain external influences and, in any direction, protection against direct contact [IEV 826-03-12]*.

NOTE This definition taken from the existing International Electrotechnical Vocabulary (IEV) needs the following explanations under the scope of this standard:

- 1) Enclosures provide protection of persons or livestock against access to hazardous parts.
- 2) Barriers, shapes of openings or any other means – whether attached to the enclosure or formed by the enclosed equipment – suitable to prevent or limit the penetration of the specified test probes are considered as a part of the enclosure, except when they can be removed without the use of a key or tool.

3.2 direct contact

contact of persons or livestock with live parts [IEV 826-03-05]

NOTE This IEC definition is given for information. In this standard “direct contact” is replaced by “access to hazardous parts”.

* IEC 60050(826).

3.3

degree of protection

the extent of protection provided by an enclosure against access to hazardous parts, against ingress of solid foreign objects and/or against ingress of water and verified by standardized test methods

3.4

IP Code

a coding system to indicate the degrees of protection provided by an enclosure against access to hazardous parts, ingress of solid foreign objects, ingress of water and to give additional information in connection with such protection

3.5

hazardous part

a part that is hazardous to approach or touch

3.5.1

hazardous live part

a live part which, under certain conditions of external influences, can give an electric shock (see IEC 60050-195, 195-06-05)

3.5.2

hazardous mechanical part

a moving part, other than a smooth rotating shaft, that is hazardous to touch

3.6

protection provided by an enclosure against access to hazardous parts

the protection of persons against

- contact with hazardous low-voltage live parts
- contact with hazardous mechanical parts
- approach to hazardous high-voltage live parts below adequate clearance inside an enclosure

NOTE This protection may be provided

- by means of the enclosure itself,
- by means of barriers as part of the enclosure or distances inside the enclosure.

3.7

adequate clearance for protection against access to hazardous parts

a distance to prevent contact or approach of an access probe to a hazardous part

3.8

access probe

a test probe simulating in a conventional manner a part of a person or a tool, or the like, held by a person to verify adequate clearance from hazardous parts

3.9

object probe

a test probe simulating a solid foreign object to verify the possibility of ingress into an enclosure

3.10

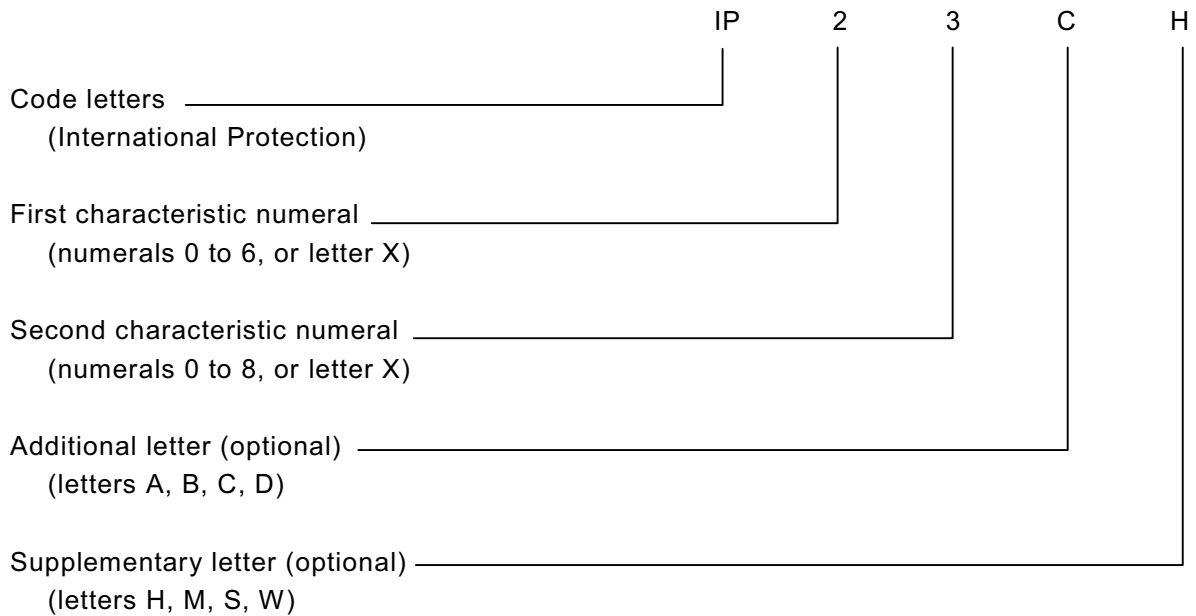
opening

a gap or aperture in an enclosure which exists or may be formed by the application of a test probe at the specified force

4 Designations

The degree of protection provided by an enclosure is indicated by the IP Code in the following way:

4.1 Arrangement of the IP Code



Where a characteristic numeral is not required to be specified, it shall be replaced by the letter "X" ("XX" if both numerals are omitted).

Additional letters and/or supplementary letters may be omitted without replacement.

Where more than one supplementary letter is used, the alphabetic sequence shall apply.

If an enclosure provides different degrees of protection for different intended mounting arrangements, the relevant degrees of protection shall be indicated by the manufacturer in the instructions related to the respective mounting arrangements.

Details for the marking of an enclosure are given in clause 10.

4.2 Elements of the IP Code and their meanings

A brief description of the IP Code elements is given in the following chart. Full details are specified in the clauses indicated in the last column.

Element	Numerals or letters	Meaning for the protection of <i>equipment</i>	Meaning for the protection of <i>persons</i>	Ref.
Code letters	IP	–	–	–
First characteristic numeral	0 1 2 3 4 5 6	Against ingress of solid foreign objects (non-protected) ≥ 50 mm diameter ≥ 12,5 mm diameter ≥ 2,5 mm diameter ≥ 1,0 mm diameter dust-protected dust-tight	Against access to hazardous parts with (non-protected) back of hand finger tool wire wire	Cl. 5
Second characteristic numeral	0 1 2 3 4 5 6 7 8	Against ingress of water with harmful effects (non-protected) vertically dripping dripping (15° tilted) spraying splashing jetting powerful jetting temporary immersion continuous immersion	–	Cl. 6
Additional letter (optional)	A B C D	–	Against access to hazardous parts with: back of hand finger tool wire	Cl. 7
Supplementary letter (optional)	H M S W	Supplementary information specific to: High voltage apparatus Motion during water test Stationary during water test Weather conditions	–	Cl. 8

4.3 Examples for the use of letters in the IP Code

The following examples are to explain the use and arrangement of letters in the IP Code.

For more comprehensive examples see clause 9.

- IP44 – no letters, no options;
- IPX5 – omitting first characteristic numeral;
- IP2X – omitting second characteristic numeral;
- IP20C – using additional letter;
- IPXXC – omitting both characteristic numerals, using additional letter;
- IPX1C – omitting first characteristic numeral, using additional letter;
- IP3XD – omitting second characteristic numeral, using additional letter;
- IP23S – using supplementary letter;
- IP21CM – using additional letter and supplementary letter;
- IPX5/IPX7 – giving two different degrees of protection by an enclosure against both water jets and temporary immersion for “versatile” application.

5 Degrees of protection against access to hazardous parts and against solid foreign objects indicated by the first characteristic numeral

The designation with a first characteristic numeral implies that conditions stated in both 5.1 and 5.2 are met.

The first characteristic numeral indicates that:

- the enclosure provides protection of persons against access to hazardous parts by preventing or limiting the ingress of a part of the human body or an object held by a person;

and simultaneously

- the enclosure provides protection of equipment against the ingress of solid foreign objects.

An enclosure shall only be designated with a stated degree of protection indicated by the first characteristic numeral if it also complies with all lower degrees of protection.

However, the tests establishing compliance with any one of the lower degrees of protection need not necessarily be carried out provided that these tests would obviously be met if applied.

5.1 Protection against access to hazardous parts

Table 1 gives brief descriptions and definitions for the degrees of protection against access to hazardous parts.

Degrees of protection listed in this table shall be specified only by the first characteristic numeral and not by reference to the brief description or definition.

To comply with the conditions of the first characteristic numeral, adequate clearance shall be kept between the access probe and hazardous parts.

The tests are specified in clause 12.

Table 1 – Degrees of protection against access to hazardous parts indicated by the first characteristic numeral

First characteristic numeral	Degree of protection		Test conditions, see
	Brief description	Definition	
0	Non-protected	–	–
1	Protected against access to hazardous parts with the back of a hand	The access probe, sphere of 50 mm Ø, shall have adequate clearance from hazardous parts	12.2
2	Protected against access to hazardous parts with a finger	The jointed test finger of 12 mm Ø, 80 mm length, shall have adequate clearance from hazardous parts	12.2
3	Protected against access to hazardous parts with a tool	The access probe of 2,5 mm Ø shall not penetrate	12.2
4	Protected against access to hazardous parts with a wire	The access probe of 1,0 mm Ø shall not penetrate	12.2
5	Protected against access to hazardous parts with a wire	The access probe of 1,0 mm Ø shall not penetrate	12.2
6	Protected against access to hazardous parts with a wire	The access probe of 1,0 mm Ø shall not penetrate	12.2

NOTE In the case of the first characteristic numerals 3, 4, 5 and 6, protection against access to hazardous parts is satisfied if adequate clearance is kept. The adequate clearance should be specified by the relevant product committee in accordance with 12.3.

Due to the simultaneous requirement specified in table 2, the definition "shall not penetrate" is given in table 1.

5.2 Protection against solid foreign objects

Table 2 gives brief descriptions and the definitions for the degrees of protection against the penetration of solid foreign objects including dust.

Degrees of protection listed in this table shall only be specified by the first characteristic numeral and not by reference to the brief description or definition.

The protection against the ingress of solid foreign objects implies that the object probes up to numeral 2 in table 2 shall not fully penetrate the enclosure. This means that the full diameter of the sphere shall not pass through an opening in the enclosure. Object probes for numerals 3 and 4 shall not penetrate the enclosure at all.

Dust-protected enclosures to numeral 5 allow a limited quantity of dust to penetrate under certain conditions.

Dust-tight enclosures to numeral 6 do not allow any dust to penetrate.

NOTE Enclosures assigned a first characteristic numeral of 1 to 4 generally exclude both regularly and irregularly shaped solid foreign objects provided that three mutually perpendicular dimensions of the object exceed the appropriate figure in column 3 of table 2.

The tests are specified in clause 13.

Table 2 – Degrees of protection against solid foreign objects indicated by the first characteristic numeral

First characteristic numeral	Degree of protection		Test conditions, see
	Brief description	Definition	
0	Non-protected	–	–
1	Protected against solid foreign objects of 50 mm Ø and greater	The object probe, sphere of 50 mm Ø, shall not fully penetrate ¹⁾	13.2
2	Protected against solid foreign objects of 12,5 mm Ø and greater	The object probe, sphere of 12,5 mm Ø, shall not fully penetrate ¹⁾	13.2
3	Protected against solid foreign objects of 2,5 mm Ø and greater	The object probe, sphere of 2,5 mm Ø, shall not penetrate at all ¹⁾	13.2
4	Protected against solid foreign objects of 1,0 mm Ø and greater	The object probe of 1,0 mm Ø, shall not penetrate at all ¹⁾	13.2
5	Dust-protected	Ingress of dust is not totally prevented, but dust shall not penetrate in a quantity to interfere with satisfactory operation of the apparatus or to impair safety	13.4 13.5
6	Dust-tight	No ingress of dust	13.4 and 13.6
¹⁾ The full diameter of the object probe shall not pass through an opening of the enclosure.			

6 Degrees of protection against ingress of water indicated by the second characteristic numeral

The second characteristic numeral indicates the degree of protection provided by enclosures with respect to harmful effects on the equipment due to the ingress of water.

The tests for the second characteristic numeral are carried out with fresh water. The actual protection may not be satisfactory if cleaning operations with high pressure and/or solvents are used.

Table 3 gives brief descriptions and definitions of the protection for the degrees represented by the second characteristic numeral.

Degrees of protection listed in this table shall be specified only by the second characteristic numeral and not by reference to the brief description or definition.

The tests are specified in clause 14.

Up to and including second characteristic numeral 6, the designation implies compliance also with the requirements for all lower characteristic numerals. However, the tests establishing compliance with any one of the lower degrees of protection need not necessarily be carried out provided that these tests obviously would be met if applied.

An enclosure designated with second characteristic numeral 7 or 8 only is considered unsuitable for exposure to water jets (designated by second characteristic numeral 5 or 6) and need not comply with requirements for numeral 5 or 6 unless it is dual coded as follows:

Enclosure passes test for:		Designation and marking	Range of application
water jets second characteristic numeral	temporary/continuous immersion second characteristic numeral		
5	7	IPX5/IPX7	Versatile
6	7	IPX6/IPX7	Versatile
5	8	IPX5/IPX8	Versatile
6	8	IPX6/IPX8	Versatile
–	7	IPX7	Restricted
–	8	IPX8	Restricted

Enclosures for “versatile” application indicated in the last column shall meet requirements for exposure to both water jets and temporary or continuous immersion.

Enclosures for “restricted” application indicated in the last column are considered suitable only for temporary or continuous immersion and unsuitable for exposure to water jets.

Table 3 – Degrees of protection against water indicated by the second characteristic numeral

First characteristic numeral	Degree of protection		Test conditions, see
	Brief description	Definition	
0	Non-protected	–	–
1	Protected against vertically falling water drops	Vertically falling drops shall have no harmful effects	14.2.1
2	Protected against vertically falling water drops when enclosure tilted up to 15°	Vertically falling drops shall have no harmful effects when the enclosure is tilted at any angle up to 15° on either side of the vertical	14.2.2
3	Protected against spraying water	Water sprayed at an angle up to 60° on either side of the vertical shall have no harmful effects	14.2.3
4	Protected against splashing water	Water splashed against the enclosure from any direction shall have no harmful effects	14.2.4
5	Protected against water jets	Water projected in jets against the enclosure from any direction shall have no harmful effects	14.2.5
6	Protected against powerful water jets	Water projected in powerful jets against the enclosure from any direction shall have no harmful effects	14.2.6
7	Protected against the effects of temporary immersion in water	Ingress of water in quantities causing harmful effects shall not be possible when the enclosure is temporarily immersed in water under standardized conditions of pressure and time	14.2.7
8	Protected against the effects of continuous immersion in water	Ingress of water in quantities causing harmful effects shall not be possible when the enclosure is continuously immersed in water under conditions which shall be agreed between manufacturer and user but which are more severe than for numeral 7	14.2.8

7 Degrees of protection against access to hazardous parts indicated by the additional letter

The additional letter indicates the degree of protection of persons against access to hazardous parts.

Additional letters are only used

- if the actual protection against access to hazardous parts is higher than that indicated by the first characteristic numeral
- or if only the protection against access to hazardous parts is indicated, the first characteristic numeral being then replaced by an X.

For example, such higher protection may be provided by barriers, suitable shape of openings or distances inside the enclosure.

Table 4 gives access probes considered by convention as representative of parts of the human body or objects held by a person and the definitions for the degrees of protection against access to hazardous parts, indicated by additional letters.

An enclosure shall only be designated with a stated degree of protection indicated by the additional letter if the enclosure also complies with all lower degrees of protection. However, the tests establishing compliance with any one of the lower degrees of protection need not necessarily be carried out provided that these tests obviously would be met if applied.

The tests are specified in clause 15.

See annex A for examples of the IP coding.

Table 4 – Degrees of protection against access to hazardous parts indicated by the additional letter

Additional letter	Degree of protection		Test conditions, see
	Brief description	Definition	
A	Protected against access with the back of the hand	The access probe, sphere of 50 mm Ø, shall have adequate clearance from hazardous parts	15.2
B	Protected against access with a finger	The jointed test finger of 12 mm Ø, 80 mm length, shall have adequate clearance from hazardous parts	15.2
C	Protected against access with a tool	The access probe of 2,5 mm Ø, 100 mm length, shall have adequate clearance from hazardous parts	15.2
D	Protected against access with a wire	The access probe of 1,0 mm Ø, 100 mm length, shall have adequate clearance from hazardous parts	15.2

8 Supplementary letters

In the relevant product standard, supplementary information may be indicated by a supplementary letter following the second characteristic numeral or the additional letter.

Such exceptional cases shall conform with the requirements of this basic safety standard and the product standard shall state clearly the additional procedure to be carried out during tests for such a classification.

The letters listed below have already been designated and have the significance as stated:

Letter	Significance
H	High-voltage apparatus
M	Tested for harmful effects due to the ingress of water when the movable parts of the equipment (for example, the rotor of a rotating machine) are in motion
S	Tested for harmful effects due to the ingress of water when the movable parts of the equipment (for example, the rotor of a rotating machine) are stationary
W	Suitable for use under specified weather conditions and provided with additional protective features or processes

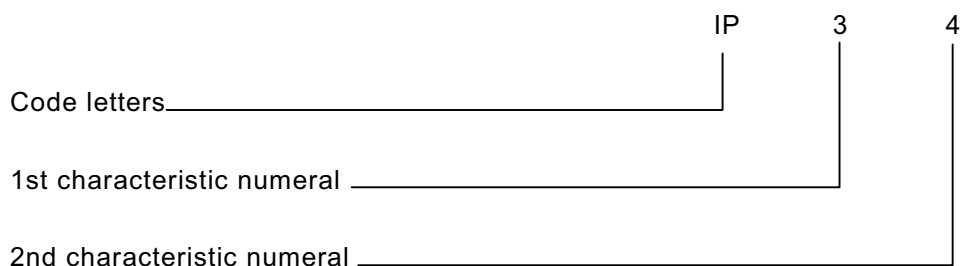
NOTE In the first edition of IEC 60529 the letter "W" with the same meaning was placed immediately after the code letters "IP".

Other letters may be used in product standards.*

The absence of the letters S and M implies that the degree of protection does not depend on whether parts of the equipment are in motion or not. This may necessitate tests being done under both conditions. However, the test establishing compliance with one of these conditions is generally sufficient, provided that the test in the other condition obviously would be met if applied.

9 Examples of designations with the IP Code

9.1 IP Code not using optional letters:

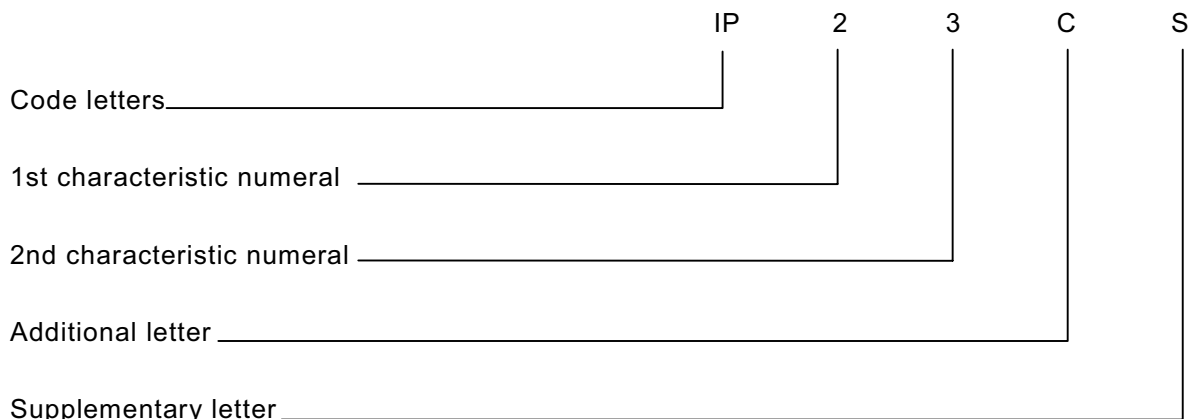


* However, in order to avoid any duplicate of supplementary letters the Secretariat of technical committee 70 should be consulted before any new letter is introduced by another technical committee.

An enclosure with this designation (IP Code)

- (3) – protects persons, handling tools having a diameter of 2,5 mm and greater, against access to hazardous parts;
 - protects the equipment inside the enclosure against ingress of solid foreign objects having a diameter of 2,5 mm and greater;
- (4) – protects the equipment inside the enclosure against harmful effects due to water splashed against the enclosure from any direction.

9.2 IP Code using optional letters:



An enclosure with this designation (IP Code)

- (2) – protects persons against access to hazardous parts with fingers;
 - protects the equipment inside the enclosure against ingress of solid foreign objects having a diameter of 12,5 mm and greater;
- (3) – protects the equipment inside the enclosure against the harmful effects due to water sprayed against the enclosure;
- (C) – protects persons handling tools having a diameter of 2,5 mm and greater and a length not exceeding 100 mm against access to hazardous parts (the tool may penetrate the enclosure up to its full length);
- (S) – is tested for protection against harmful effects due to the ingress of water when all the parts of the equipment are stationary.

10 Marking

The requirements for marking shall be specified in the relevant product standard.

Where appropriate, such a standard should also specify the method of marking which is to be used when

- one part of an enclosure has a different degree of protection to that of another part of the same enclosure;
- the mounting position has an influence on the degree of protection;
- the maximum immersion depth and time are indicated.

11 General requirements for tests

11.1 Atmospheric conditions for water or dust tests

Unless otherwise specified in the relevant product standard, the tests should be carried out under the standard atmospheric conditions described in IEC 60068-1.

The recommended atmospheric conditions during the tests are as follows:

Temperature range:	15 °C to 35 °C
Relative humidity:	25 % to 75 %
Air pressure:	86 kPa to 106 kPa (860 mbar to 1 060 mbar).

11.2 Test samples

The tests specified in this standard are type tests.

Unless otherwise specified in a relevant product standard, the test samples for each test shall be in a clean and new condition, with all parts in place and mounted in the manner stated by the manufacturer.

If it is impracticable to test the complete equipment, representative parts or smaller equipment having the same full-scale design details shall be tested.

The relevant product standard shall specify details such as:

- the number of samples to be tested;
- conditions for mounting, assembling and positioning of the samples, for example by the use of an artificial surface (ceiling, floor or wall);
NOTE This also applies to equipment intended to be united with other relevant equipment, for example, components which can be used either alone or in an assembly;
- the pre-conditioning, if any, which is to be used;
- whether to be tested energized or not;
- whether to be tested with its parts in motion or not.

In the absence of such specification, the manufacturer's instructions shall apply.

11.3 Application of test requirements and interpretation of test results

The application of the general requirements for tests and the acceptance conditions for equipment containing drain-holes or ventilation openings is the responsibility of the relevant technical committee.

In the absence of such specification the requirement of this standard shall apply.

The interpretation of test results is the responsibility of the relevant technical committee. In the absence of a specification the acceptance conditions of this standard shall at least apply.

11.4 Combination of test conditions for the first characteristic numeral

Designation with a first characteristic numeral implies that all test conditions are met for this numeral:

Table 5 – Test conditions for degrees of protection indicated by the first characteristic numeral

First characteristic numeral	Test for protection against	
	access to hazardous parts	solid foreign objects
0	No test required	No test required
1	The sphere of 50 mm \varnothing shall not fully penetrate and adequate clearance shall be kept	
2	The jointed test finger may penetrate up to its 80 mm length, but adequate clearance shall be kept	The sphere of 12,5 mm \varnothing shall not fully penetrate
3	The test rod of 2,5 mm \varnothing shall not penetrate and adequate clearance shall be kept	
4	The test wire of 1,0 mm \varnothing shall not penetrate and adequate clearance shall be kept	
5	The test wire of 1,0 mm \varnothing shall not penetrate and adequate clearance shall be kept	Dust-protected as specified in table 2
6	The test wire of 1,0 mm \varnothing shall not penetrate and adequate clearance shall be kept	Dust-tight as specified in table 2

In the case of the first characteristic numerals 1 and 2, "not fully penetrate" means that the full diameter of the sphere shall not pass through an opening of the enclosure.

11.5 Empty enclosures

If the enclosure is tested without equipment inside, detailed requirements shall be indicated by the enclosure manufacturer in his instructions for the arrangement and spacing of hazardous parts or parts which might be affected by the penetration of foreign objects or water.

The manufacturer of the final assembly shall ensure that after the electrical equipment is enclosed the enclosure meets the declared degree of protection of the final product.

12 Tests for protection against access to hazardous parts indicated by the first characteristic numeral

12.1 Access probes

Access probes to test the protection of persons against access to hazardous parts are given in table 6.

12.2 Test conditions

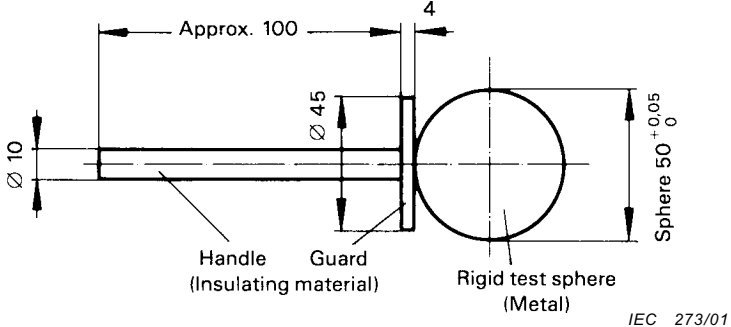
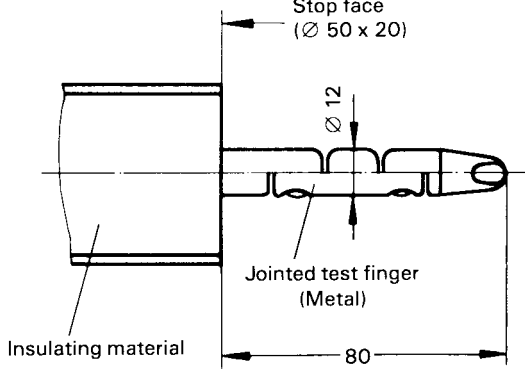
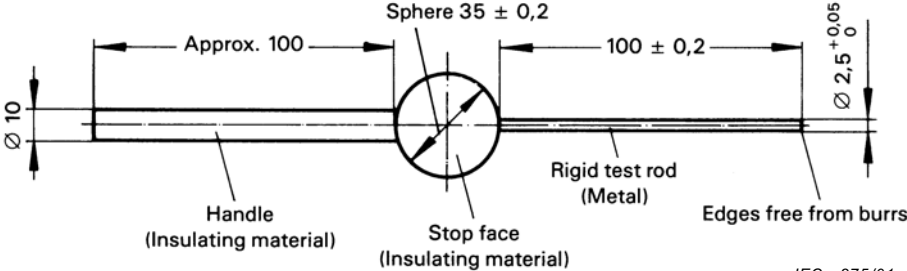
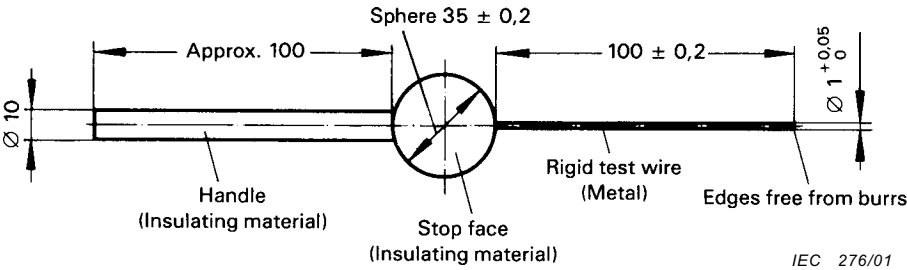
The access probe is pushed against or (in case of the test for first characteristic numeral 2) inserted through any openings of the enclosure with the force specified in table 6.

For tests on low-voltage equipment, a low-voltage supply (of not less than 40 V and not more than 50 V) in series with a suitable lamp should be connected between the probe and the hazardous parts inside the enclosure. Hazardous live parts covered only with varnish or paint, or protected by oxidation or by a similar process, are covered by a metal foil electrically connected to those parts which are normally live in operation.

The signal-circuit method should also be applied to the hazardous moving parts of high-voltage equipment.

Internal moving parts may be operated slowly, where this is possible.

Table 6 – Access probes for the tests for protection of persons against access to hazardous parts

First numeral	Addit. letter	Access probe	Test force
1	A	<p style="text-align: center;">Sphere 50 mm diameter</p>  <p style="text-align: right;"><i>IEC 273/01</i></p>	50 N ± 10 %
2	B	<p style="text-align: center;">Jointed test finger</p> <p>See figure 1 for full dimensions</p>  <p style="text-align: right;"><i>IEC 274/01</i></p>	10 N ± 10 %
3	C	<p style="text-align: center;">Test rod 2,5 mm diameter, 100 mm long</p>  <p style="text-align: right;"><i>IEC 275/01</i></p>	3 N ± 10 %
4, 5, 6	D	<p style="text-align: center;">Test wire 1,0 mm diameter, 100 mm long</p>  <p style="text-align: right;"><i>IEC 276/01</i></p>	1 N ± 10 %

12.3 Acceptance conditions

The protection is satisfactory if adequate clearance is kept between the access probe and hazardous parts.

For the test of first characteristic numeral 1, the access probe 50 mm diameter shall not completely pass through the opening.

For the test of first characteristic numeral 2, the jointed test finger may penetrate to its 80 mm length, but the stop face (\varnothing 50 mm \times 20 mm) shall not pass through the opening. Starting from the straight position, both joints of the test finger shall be successively bent through an angle of up to 90° with respect to the axis of the adjoining section of the finger and shall be placed in every possible position.

See annex A for further clarification.

Adequate clearance means:

12.3.1 For low-voltage equipment (rated voltages not exceeding 1 000 V a.c. and 1 500 V d.c.)

The access probe shall not touch hazardous live parts.

If adequate clearance is verified by a signal circuit between the probe and hazardous parts, the lamp shall not light.

NOTE The attention of relevant technical committees is drawn to the fact that in some types of electrical equipment the maximum voltage produced internally (r.m.s. value or d.c. value of the working voltage) is higher than the rated voltage of the equipment. This maximum voltage should be considered when the dielectric test voltage and the adequate clearance are determined.

12.3.2 For high-voltage equipment (rated voltages exceeding 1 000 V a.c. and 1 500 V d.c.)

When the access probe is placed in the most unfavourable position(s), the equipment shall be capable of withstanding the dielectric tests as specified in the relevant product standard applicable to the equipment.

Verification may be made either by dielectric test or by inspection of the specified clearance dimension in air which would ensure that the tests would be satisfactory under the most unfavourable electric field configuration (see IEC 60071-2).

In the case where an enclosure includes sections at different voltage levels the appropriate acceptance conditions for adequate clearance shall be applied for each section.

NOTE The attention of relevant technical committees is drawn to the fact that in some types of electrical equipment the maximum voltage produced internally (r.m.s. value or d.c. value of the working voltage) is higher than the rated voltage of the equipment. This maximum voltage should be considered when the dielectric test voltage and the adequate clearance are determined.

12.3.3 For equipment with hazardous mechanical parts:

The access probe shall not touch hazardous mechanical parts.

If adequate clearance is verified by a signal circuit between the probe and hazardous parts, the lamp shall not light.

13 Tests for protection against solid foreign objects indicated by the first characteristic numeral

13.1 Test means

Test means and the main test conditions are given in table 7.

Table 7 – Test means for the tests for protection against solid foreign objects

First characteristic numeral	Test means (object probes and dust chamber)	Test force	Test conditions, see
0	No test required	–	–
1	Rigid sphere without handle or guard 50 ^{+0,05} ₀ mm diameter	50 N ± 10 %	13.2
2	Rigid sphere without handle or guard 12,5 ^{+0,2} ₀ mm diameter	30 N ± 10 %	13.2
3	Rigid steel rod 2,5 ^{+0,05} ₀ mm diameter with edges free from burrs	3 N ± 10 %	13.2
4	Rigid steel rod 1,0 ^{+0,05} ₀ mm diameter with edges free from burrs	1 N ± 10 %	13.2
5	Dust chamber figure 2, with or without underpressure	–	13.4 + 13.5
6	Dust chamber figure 2, with underpressure	–	13.4 + 13.6

13.2 Test conditions for first characteristic numerals 1, 2, 3, 4

The object probe is pushed against any openings of the enclosure with the force specified in table 7.

13.3 Acceptance conditions for first characteristic numerals 1, 2, 3, 4

The protection is satisfactory if the full diameter of the probe specified in table 7 does not pass through any opening.

NOTE For the first characteristic numerals 3 and 4 the probes specified in table 7 are intended to simulate foreign objects which may be spherical. Where an enclosure has an indirect or tortuous entry path and there is any doubt about ingress of a spherical object capable of motion, it may be necessary to examine drawings or to provide special access for the object probe to be applied with the specified force to the opening(s) where ingress has to be checked.

13.4 Dust test for first characteristic numerals 5 and 6

The test is made using a dust chamber incorporating the basic principles shown in figure 2 whereby the powder circulation pump may be replaced by other means suitable to maintain the talcum powder in suspension in a closed test chamber. The talcum powder used shall be able to pass through a square-meshed sieve the nominal wire diameter of which is 50 µm and the nominal width of a gap between wires 75 µm. The amount of talcum powder to be used is 2 kg per cubic metre of the test chamber volume. It shall not have been used for more than 20 tests.

NOTE Health and safety regulations should be observed in selecting the type of talcum powder and its use.

Enclosures are of necessity in one of two categories:

Category 1: Enclosures where the normal working cycle of the equipment causes reductions in air pressure within the enclosure below that of the surrounding air, for example, due to thermal cycling effects.

Category 2: Enclosures where no pressure difference relative to the surrounding air is present.

Category 1 enclosures:

The enclosure under test is supported inside the test chamber and the pressure inside the enclosure is maintained below the surrounding atmospheric pressure by a vacuum pump. The suction connection shall be made to a hole specially provided for this test. If not otherwise specified in the relevant product standard, this hole shall be in the vicinity of the vulnerable parts.

If it is impracticable to make a special hole, the suction connection shall be made to the cable inlet hole. If there are other holes (for example, more cable inlet holes or drain-holes) these shall be treated as intended for normal use on site.

The object of the test is to draw into the enclosure, by means of depression, a volume of air 80 times the volume of the sample enclosure tested without exceeding the extraction rate of 60 volumes per hour. In no event shall the depression exceed 2 kPa (20 mbar) on the manometer shown in figure 2.

If an extraction rate of 40 to 60 volumes per hour is obtained the duration of the test is 2 h.

If, with a maximum depression of 2 kPa (20 mbar), the extraction rate is less than 40 volumes per hour, the test is continued until 80 volumes have been drawn through, or a period of 8 h has elapsed.

Category 2 enclosures:

The enclosure under test is supported in its normal operating position inside the test chamber, but is not connected to a vacuum pump. Any drain-hole normally open shall be left open for the duration of the test. The test shall be continued for a period of 8 h.

Category 1 and category 2 enclosures:

If it is impracticable to test the complete enclosure in the test chamber, one of the following procedures shall be applied:

- testing of individually enclosed sections of the enclosure;
- testing of representative parts of the enclosure, comprising components such as doors, ventilation openings, joints, shaft seals, etc., in position during test;
- testing of a smaller enclosure having the same full-scale design details.

In the last two cases, the volume of air to be drawn through the enclosure under test shall be the same as for the whole enclosure in full scale.

13.5 Special conditions for first characteristic numeral 5

13.5.1 Test conditions for first characteristic numeral 5

The enclosure shall be deemed category 1 unless the relevant product standard for the equipment specifies that the enclosure is category 2.

13.5.2 Acceptance conditions for first characteristic numeral 5

The protection is satisfactory if, on inspection, talcum powder has not accumulated in a quantity or location such that, as with any other kind of dust, it could interfere with the correct operation of the equipment or impair safety. Except for special cases to be clearly specified in the relevant product standard, no dust shall deposit where it could lead to tracking along the creepage distances.

13.6 Special conditions for first characteristic numeral 6

13.6.1 Test conditions for first characteristic numeral 6

The enclosure shall be deemed category 1, whether reductions in pressure below the atmospheric pressure are present or not.

13.6.2 Acceptance conditions for first characteristic numeral 6

The protection is satisfactory if no deposit of dust is observable inside the enclosure at the end of the test.

14 Tests for protection against water indicated by the second characteristic numeral

14.1 Test means

The test means and the main test conditions are given in table 8.

**Table 8 – Test means and main test conditions
for the tests for protection against water**

Second characteristic numeral	Test means	Water flow rate	Duration of test	Test conditions, see
0	No test required	–	–	–
1	Drip box Figure 3 Enclosure on turntable	$1^{+0,5}_0$ mm/min	10 min	14.2.1
2	Drip box Figure 3 Enclosure in 4 fixed positions of 15° tilt	$3^{+0,5}_0$ mm/min	2,5 min for each position of tilt	14.2.2
3	Oscillating tube Figure 4 Spray ± 60° from vertical, distance max. 200 mm or Spray nozzle Figure 5 Spray ± 60° from vertical	0,07 l/min ± 5 % per hole, multiplied by number of holes	10 min	14.2.3 a)
		10 l/min ± 5 %	1 min/m ² at least 5 min	14.2.3 b)
4	As for numeral 3 Spray ± 180° from vertical	As for numeral 3		14.2.4
5	Water jet hose nozzle Figure 6 Nozzle 6,3 mm diameter, distance 2,5 m to 3 m	12,5 l/min ± 5 %	1 min/m ² at least 3 min	14.2.5
6	Water jet hose nozzle Figure 6 Nozzle 12,5 mm diameter, distance 2,5 m to 3 m	100 l/min ± 5 %	1 min/m ² at least 3 min	14.2.6
7	Immersion tank Water-level on enclosure: 0,15 m above top 1 m above bottom	–	30 min	14.2.7
8	Immersion tank Water-level: by agreement	–	by agreement	14.2.8

14.2 Test conditions

Test means and main test conditions are given in table 8.

Details concerning compliance of degrees of protection – in particular for second characteristic numerals 5/6 (water jets) and numerals 7/8 (immersion) – are given in clause 6.

The tests are conducted with fresh water.

During the tests for IPX1 to IPX6 the water temperature should not differ by more than 5 K from the temperature of the specimen under test. If the water temperature is more than 5 K below the temperature of the specimen a pressure balance shall be provided for the enclosure. For IPX7 details of the water temperature are given in 14.2.7.

During the test, the moisture contained inside the enclosure may partly condense. The dew which may thus deposit shall not be mistaken for an ingress of water.

For the purpose of the tests, the surface area of the enclosure is calculated with a tolerance of 10 %.

Adequate safety precautions should be taken when testing the equipment in the energized condition.

14.2.1 Test for second characteristic numeral 1 with the drip box

The test is made with a device which produces a uniform flow of water drops over the whole area of the enclosure.

An example of such a device is shown in figure 3 a).

The turntable on which the enclosure is placed has a rotation speed of 1 r/min and the eccentricity (distance between turntable axis and specimen axis) is approximately 100 mm.

The enclosure under test is placed in its normal operating position under the drip box, the base of which is larger than that of the enclosure. Except for enclosures designed for wall or ceiling mounting, the support for the enclosure under test should be smaller than the base of the enclosure.

An enclosure normally fixed to a wall or ceiling is fixed in its normal position of use to a wooden board having dimensions which are equal to those of that surface of the enclosure which is in contact with the wall or ceiling when the enclosure is mounted as in normal use.

The duration of test is 10 min.

NOTE When the base of the drip box is smaller than that of the enclosure under test, the latter may be divided into several sections, the area of each section being large enough to be covered by the dripping water. The test is continued until the whole area of the enclosure has been sprinkled for the specified time.

14.2.2 Test for second characteristic numeral 2 with the drip box

The dripping device is the same as specified in 14.2.1 adjusted to provide the water flow rate specified in table 8.

The table on which the enclosure is placed does not turn as in the case of the test for the second characteristic numeral 1.

The enclosure is tested for 2,5 min in each of four fixed positions of tilt.

These positions are 15° on either side of the vertical in two mutually perpendicular planes (see figure 3b)).

The total duration of the test is 10 min.

14.2.3 Test for second characteristic numeral 3 with oscillating tube or spray nozzle

The test is made using one of the two test devices described in figure 4 and in figure 5 in accordance with the relevant product standard.

a) Conditions when using the test device as in figure 4 (oscillating tube):

The total flow rate is adjusted as specified in table 9 and is measured with a flow meter.

The oscillating tube is provided with spray holes over an arc of 60° either side of the centre point. The support is not perforated.

The enclosure to be tested is placed at the centre point of the semicircle. The tube is caused to oscillate through an angle of 120°, 60° on either side of the vertical, the time for one complete oscillation ($2 \times 120^\circ$) being about 4 s and the test duration being 5 min.

The enclosure is then turned through an horizontal angle of 90° and the test is continued for a further 5 min.

The maximum acceptable radius of the oscillating tube is 1 600 mm.

If for certain types of apparatus it is not possible to wet all parts of the enclosure under test, the support of the enclosure may be moved up or down. The hand-held test device as in figure 5 (spray nozzle) should be used as a preference in such cases.

b) Conditions when using the test device as in figure 5 (spray nozzle):

The counterbalanced shield is in place for this test.

The water pressure is adjusted to give the specified delivery rate. The pressure to achieve this delivery rate will be in the range of 50 kPa to 150 kPa. It should be kept constant during the test.

The test duration is 1 min/m² of the calculated surface area of the enclosure (excluding any mounting surface), with a minimum duration of 5 min.

14.2.4 Test for second characteristic numeral 4 with oscillating tube or spray nozzle

The test is made using one of the two test devices described in figure 4 and in figure 5 in accordance with the relevant product standard.

a) Conditions when using the test device as in figure 4 (oscillating tube):

The oscillating tube has spray holes over the whole 180° of the semicircle. The total flow rate is adjusted as specified in table 9 and is measured with a flow meter.

The tube is caused to oscillate through an angle of almost 360°, 180° on either side of the vertical, the time for one complete oscillation (2 × 360°) being about 12 s.

The duration of the test is 10 min.

If not specified otherwise in the relevant product standard, the support for the enclosure under test is perforated so as to avoid acting as a baffle and the enclosure is sprayed from every direction by oscillating the tube to the limit of its travel in each direction.

b) Conditions when using the test device as in figure 5 (spray nozzle):

The counterbalanced shield is removed from the spray nozzle and the enclosure is sprayed from all practicable directions.

The rate of water flow and the spraying time per unit area are as specified in 14.2.3.

**Table 9 – Total water flow rate q_v under IPX3 and IPX4 test conditions –
Mean flow rate per hole $q_{v1} = 0,07$ l/min**

Tube radius <i>R</i> mm	Degree IPX3		Degree IPX4	
	Number of open holes <i>N</i> ¹⁾	Total water flow q_v l/min	Number of open holes <i>N</i> ¹⁾	Total water flow q_v l/min
200	8	0,56	12	0,84
400	16	1,1	25	1,8
600	25	1,8	37	2,6
800	33	2,3	50	3,5
1 000	41	2,9	62	4,3
1 200	50	3,5	75	5,3
1 400	58	4,1	87	6,1
1 600	67	4,7	100	7,0

¹⁾ Depending on the actual arrangement of the hole centres at the specified distance, the number of open holes *N* may be increased by 1.

14.2.5 Test for second characteristic numeral 5 with the 6,3 mm nozzle

The test is made by spraying the enclosure from all practicable directions with a stream of water from a standard test nozzle as shown in figure 6.

The conditions to be observed are as follows:

- internal diameter of the nozzle: 6,3 mm;
- delivery rate: 12,5 l/min \pm 5 %;
- water pressure: to be adjusted to achieve the specified delivery rate;
- core of the substantial stream: circle of approximately 40 mm diameter at 2,5 m distance from nozzle;
- test duration per square metre of enclosure surface area likely to be sprayed: 1 min;
- minimum test duration: 3 min;
- distance from nozzle to enclosure surface: between 2,5 m and 3 m.

14.2.6 Test for second characteristic numeral 6 with the 12,5 mm nozzle

The test is made by spraying the enclosure from all practicable directions with a stream of water from a standard test nozzle as shown in figure 6.

The conditions to be observed are as follows:

- internal diameter of the nozzle: 12,5 mm;
- delivery rate: 100 l/min \pm 5 %;
- water pressure: to be adjusted to achieve the specified delivery rate;
- core of the substantial stream: circle of approximately 120 mm diameter at 2,5 m distance from nozzle;
- test duration per square metre of enclosure surface area likely to be sprayed: 1 min;
- minimum test duration: 3 min;
- distance from nozzle to enclosure surface: between 2,5 m and 3 m.

14.2.7 Test for second characteristic numeral 7: temporary immersion between 0,15 m and 1 m

The test is made by completely immersing the enclosure in water in its service position as specified by the manufacturer so that the following conditions are satisfied:

- a) the lowest point of enclosures with a height less than 850 mm is located 1 000 mm below the surface of the water;
- b) the highest point of enclosures with a height equal to or greater than 850 mm is located 150 mm below the surface of the water;
- c) the duration of the test is 30 min;
- d) the water temperature does not differ from that of the equipment by more than 5 K. However, a modified requirement may be specified in the relevant product standard if the tests are to be made when the equipment is energized and/or its parts in motion.

14.2.8 Test for second characteristic numeral 8: continuous immersion subject to agreement

Unless there is a relevant product standard, the test conditions are subject to agreement between manufacturer and user, but they shall be more severe than those prescribed in 14.2.7 and they shall take account of the condition that the enclosure will be continuously immersed in actual use.

14.3 Acceptance conditions

After testing in accordance with the appropriate requirements of 14.2.1 to 14.2.8 the enclosure shall be inspected for ingress of water.

It is the responsibility of the relevant technical committee to specify the amount of water which may be allowed to enter the enclosure and the details of a dielectric strength test, if any.

In general, if any water has entered, it shall not:

- be sufficient to interfere with the correct operation of the equipment or impair safety;
- deposit on insulation parts where it could lead to tracking along the creepage distances;
- reach live parts or windings not designed to operate when wet;
- accumulate near the cable end or enter the cable if any.

If the enclosure is provided with drain-holes, it should be proved by inspection that any water which enters does not accumulate and that it drains away without doing any harm to the equipment.

For enclosures without drain-holes, the relevant product standard shall specify the acceptance conditions if water can accumulate to reach live parts.

15 Tests for protection against access to hazardous parts indicated by the additional letter

15.1 Access probes

Access probes to verify the protection of persons against access to hazardous parts are given in table 6.

15.2 Test conditions

The access probe is pushed against any openings of the enclosure with the force specified in table 6. If it partly or fully penetrates, it is placed in every possible position, but in no case shall the stop face fully penetrate through the opening.

Internal barriers are considered part of the enclosure as defined in 3.1.

For tests on low-voltage equipment, a low-voltage supply (of not less than 40 V and not more than 50 V) in series with a suitable lamp should be connected between the probe and the hazardous parts inside the enclosure. Hazardous live parts covered only with varnish or paint, or protected by oxidation or by a similar process, are covered by a metal foil electrically connected to those parts which are normally live in operation.

The signal-circuit method should also be applied to the hazardous moving parts of high-voltage equipment.

Internal moving parts may be operated slowly, where this is possible.

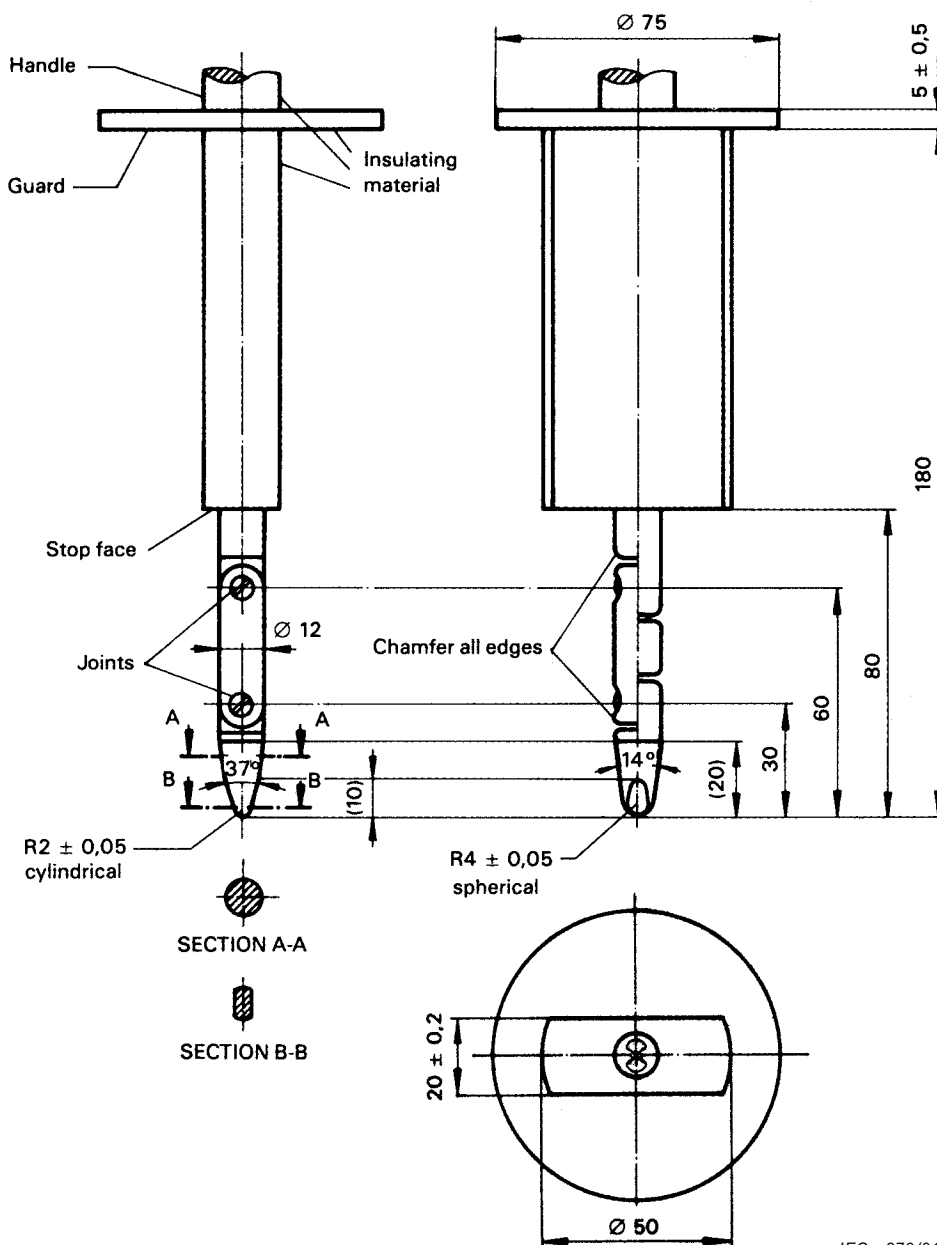
15.3 Acceptance conditions

The protection is satisfactory if adequate clearance is kept between the access probe and hazardous parts.

In the case of the test for the additional letter B, the jointed test finger may penetrate to its 80 mm length, but the stop face (\varnothing 50 mm \times 20 mm) shall not pass through the opening. Starting from the straight position, both joints of the test finger shall be successively bent through an angle of up to 90° with respect to the axis of the adjoining section of the finger and shall be placed in every possible position.

In case of the tests for the additional letters C and D, the access probe may penetrate to its full length, but the stop face shall not fully penetrate through the opening. See annex A for further clarification.

Conditions for verification of adequate clearance are identical with those given in 12.3.1, 12.3.2 and 12.3.3.



IEC 279/01

Material: metal, except where otherwise specified

Linear dimensions in millimetres

Tolerances on dimensions without specific tolerance:

on angles: 0/-10°

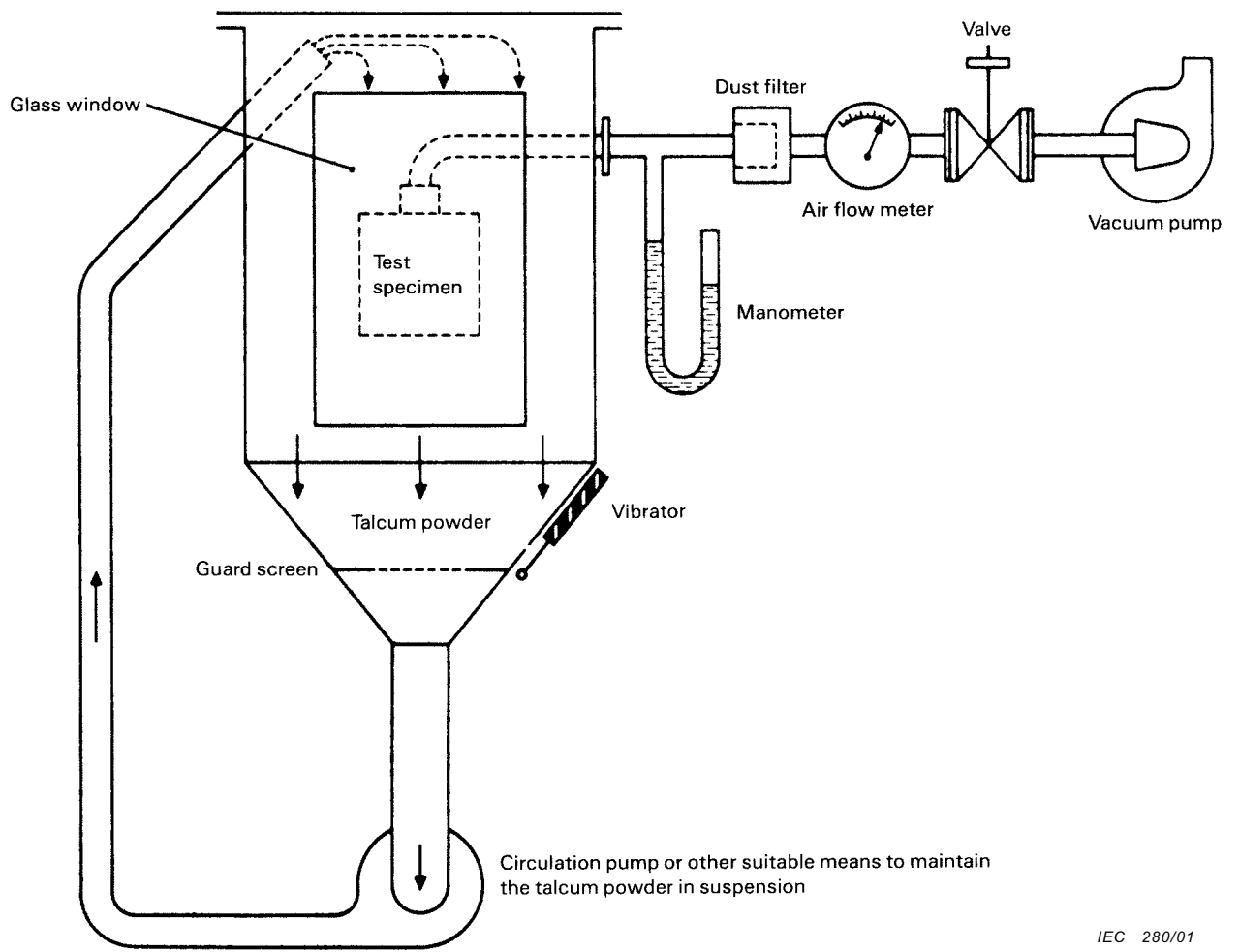
on linear dimensions:

up to 25 mm: 0/-0,05

over 25 mm: ±0,2

Both joints shall permit movement in the same plane and the same direction through an angle of 90° with a 0 to +10° tolerance.

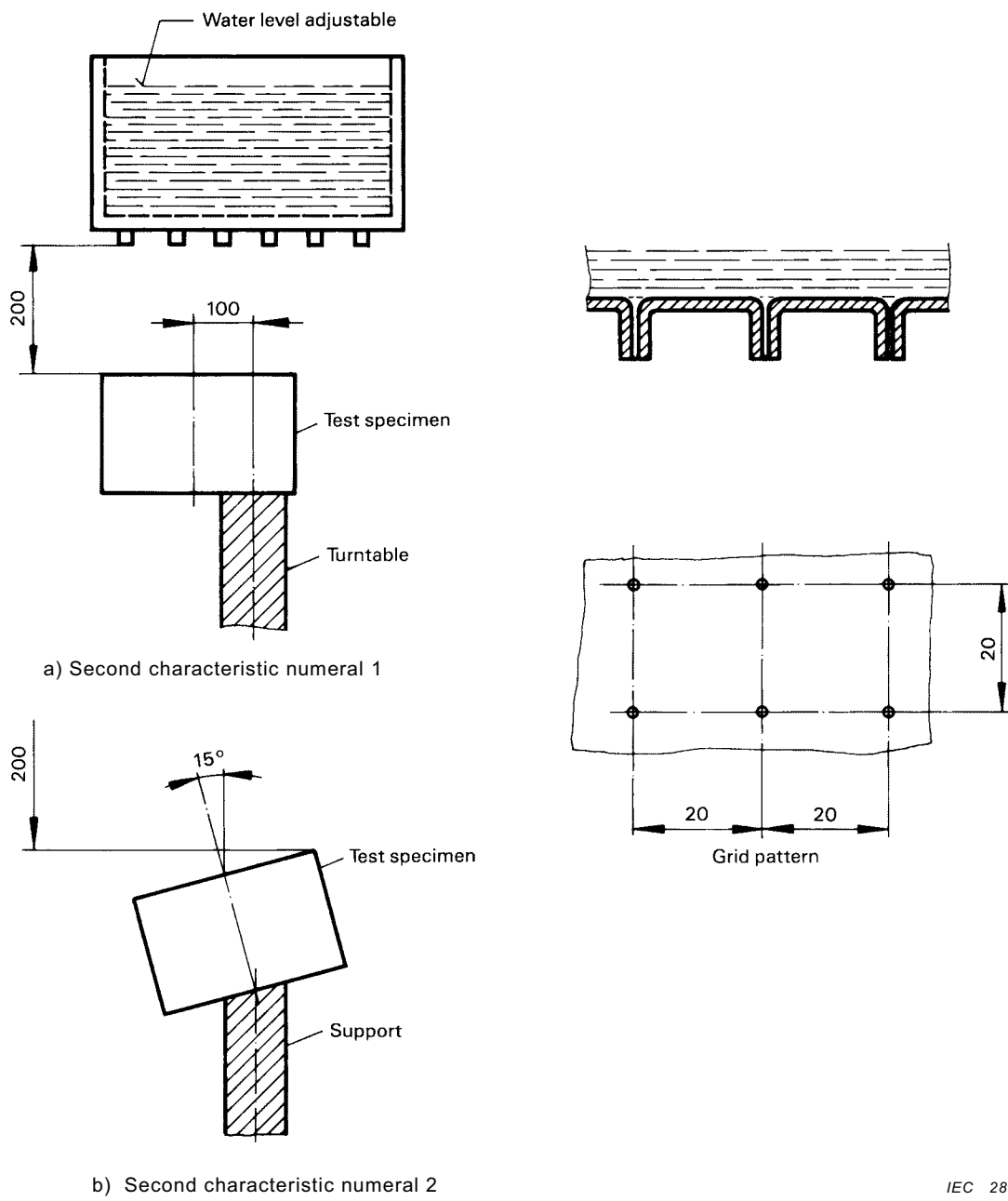
Figure 1 – Jointed test finger



IEC 280/01

NOTE See IEC 60068-2-68, figure 2 valid for La2 only.

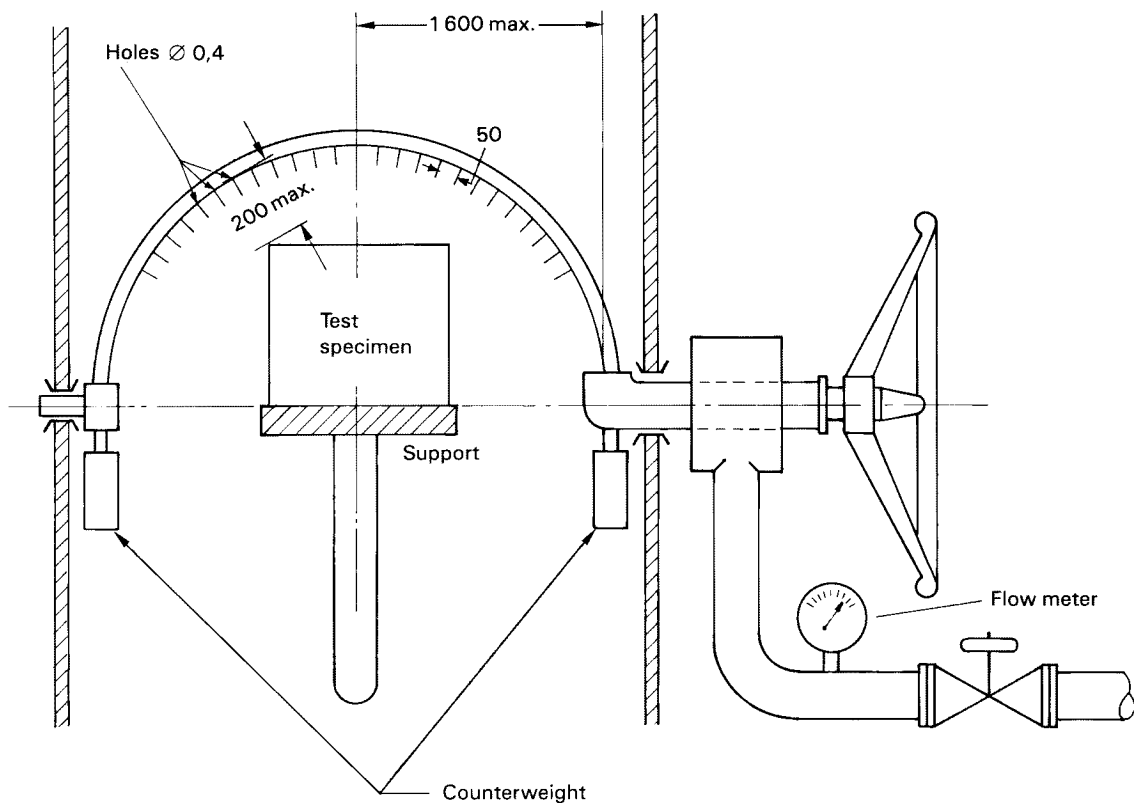
Figure 2 – Test device to verify protection against dust (dust chamber)



IEC 281/01

Dimensions in millimetres

Figure 3 – Test device to verify protection against vertically falling water drops (drip box)

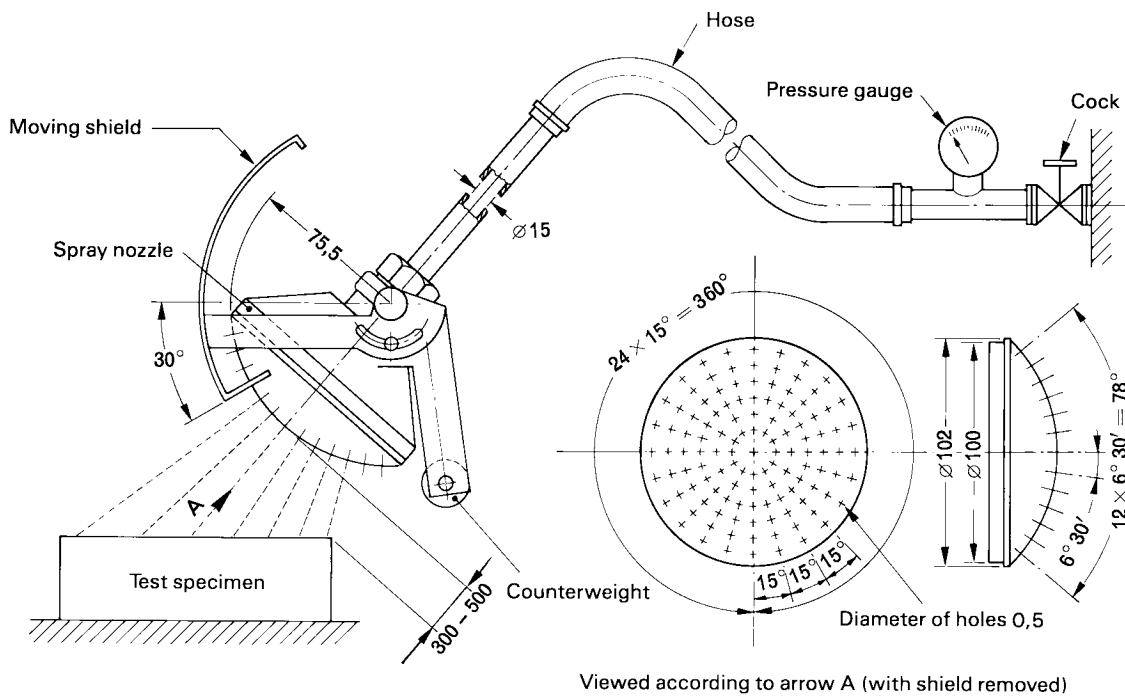


IEC 282/01

Dimensions in millimetres

NOTE The range of holes is shown as for second characteristic numeral 3 (see 14.2.3 a)).

**Figure 4 – Test device to verify protection against spraying and splashing water;
second characteristic numerals 3 and 4 (oscillating tube)**

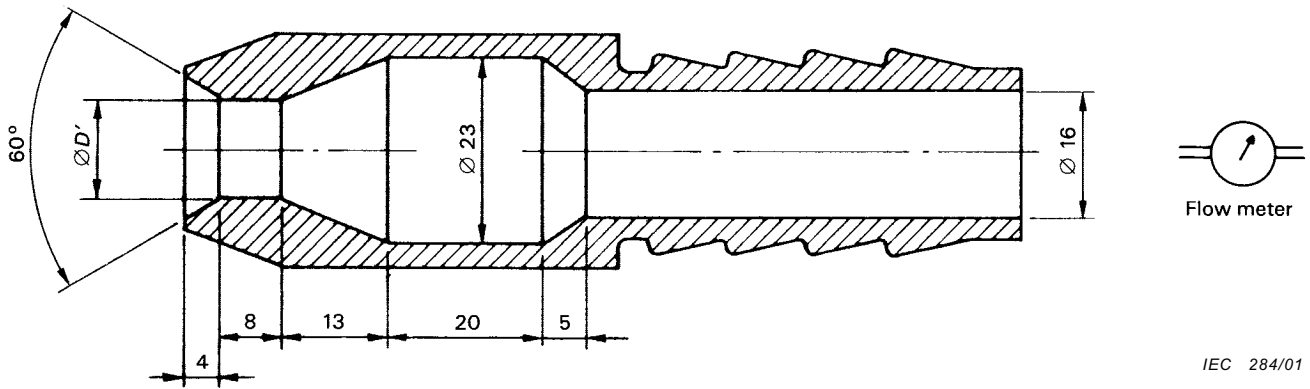


IEC 283/01

Dimensions in millimetres

- 121 holes of $\varnothing 0,5$;
- 1 hole at the centre
- 1 inner circles of 12 holes at 30° pitch
- 4 outer circles of 24 holes at 15° pitch
- Moving shield – Aluminium
- Spray nozzle – Brass

Figure 5 – Hand-held device to verify protection against spraying and splashing water; second characteristic numerals 3 and 4 (spray nozzle)



Dimensions in millimetres

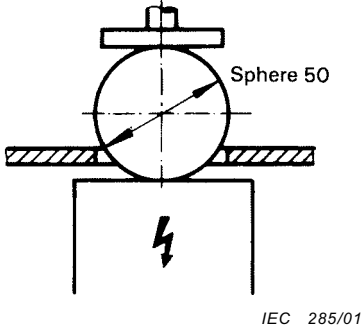
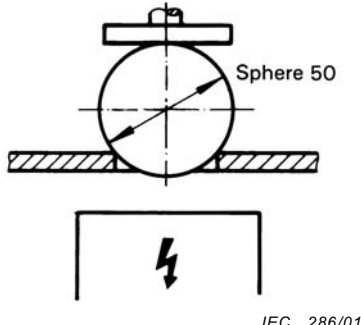
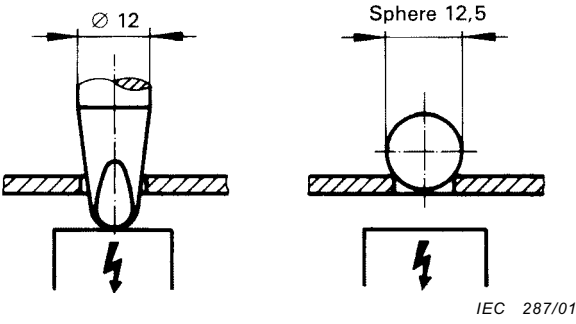
$D' = 6,3$ for the test of 14.2.5 (second characteristic numeral 5)

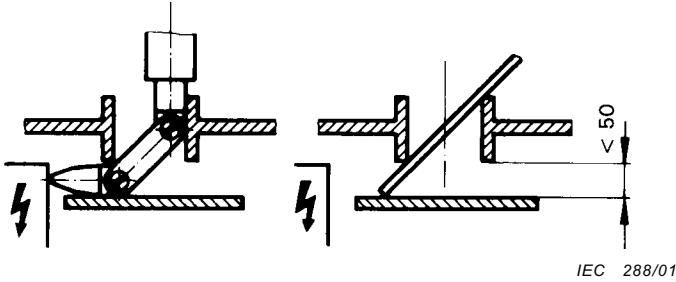
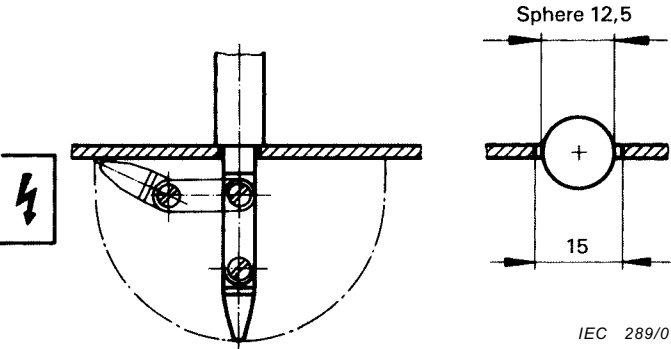
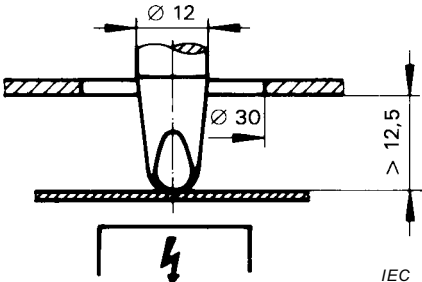
$D' = 12,5$ for the test of 14.2.6 (second characteristic numeral 6)

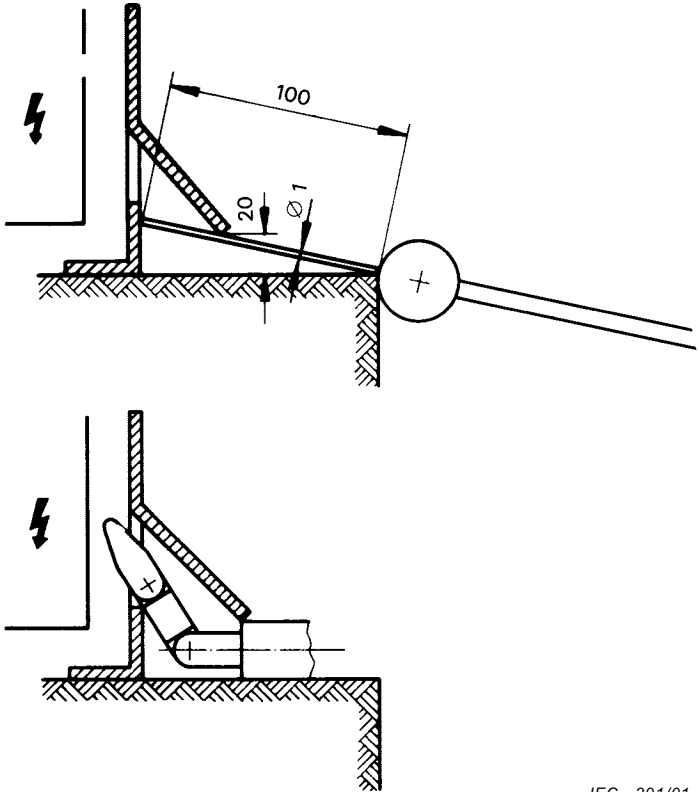
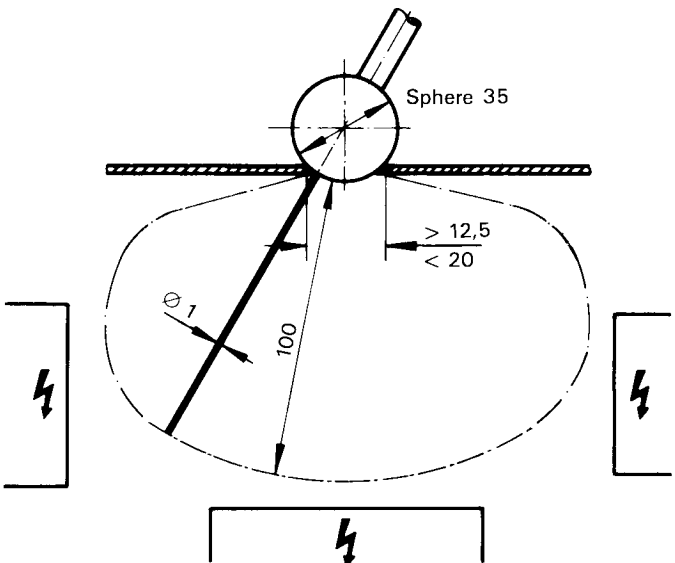
Figure 6 – Test device to verify protection against water jets (hose nozzle)

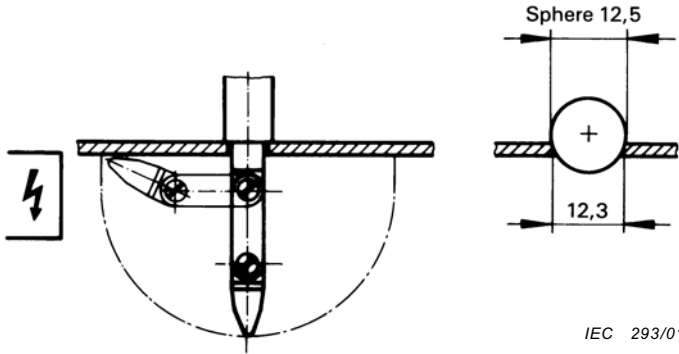
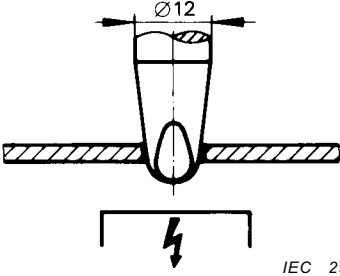
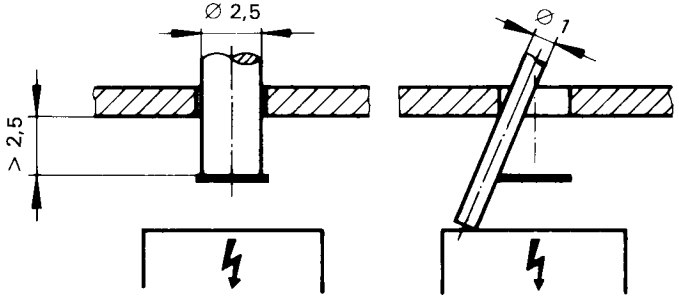
Annex A (informative)

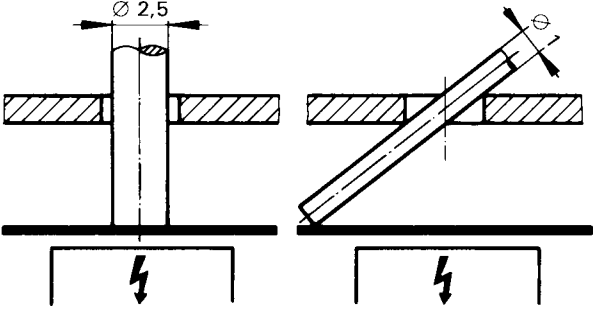
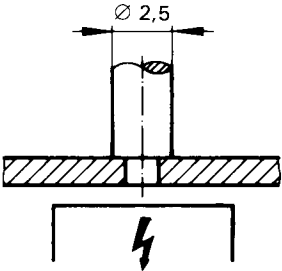
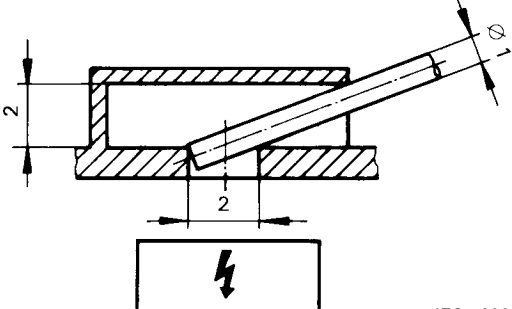
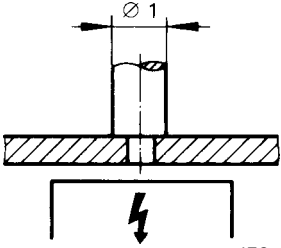
Examples of IP coding for the verification of protection of low-voltage equipment against access to hazardous parts

Ref. No.	Situation	Two numerals	Additional letter	Two numerals + additional letter
1	 <p style="text-align: right;"><i>IEC 285/01</i></p>	0X	-	0X
2	 <p style="text-align: right;"><i>IEC 286/01</i></p>	1X	A	1X
3	 <p style="text-align: right;"><i>IEC 287/01</i></p>	1X	A	1X

Ref. No.	Situation	Two numerals	Additional letter	Two numerals + additional letter
4	 <p style="text-align: right;"><i>IEC 288/01</i></p>	1X	A	1X
5	 <p style="text-align: right;"><i>IEC 289/01</i></p>	1X	B	1XB
6	 <p style="text-align: right;"><i>IEC 290/01</i></p>	1X	B	1XB

Ref. No.	Situation	Two numerals	Additional letter	Two numerals + additional letter
7	 <p style="text-align: right;"><i>IEC 291/01</i></p>	1X	D	1XD
8	 <p style="text-align: right;"><i>IEC 292/01</i></p>	1X	D	1XD

Ref. No.	Situation	Two numerals	Additional letter	Two numerals + additional letter
9	 <p style="text-align: right;"><i>IEC 293/01</i></p>	2X	B	2X
10	 <p style="text-align: right;"><i>IEC 294/01</i></p>	2X	B	2X
11	 <p style="text-align: right;"><i>IEC 295/01</i></p>	2X	C	2XC

Ref. No.	Situation	Two numerals	Additional letter	Two numerals + additional letter
12	 <p style="text-align: right; font-size: small;">IEC 296/01</p>	2X	D	2XD
13	 <p style="text-align: right; font-size: small;">IEC 297/01</p>	3X	C	3X
14	 <p style="text-align: right; font-size: small;">IEC 298/01</p>	3X	D	3XD
15	 <p style="text-align: right; font-size: small;">IEC 299/01</p>	4X	D	4X

IP Codes of examples in annex A

First characteristic numeral	Additional letter				
	–	A	B	C	D
0	IP0X (1)	–	–	–	–
1	–	IP1X (2, 3, 4)	IP1XB (5, 6)	–	IP1XD (7, 8)
2	–	–	IP2X (9, 10)	IP2XC (11)	IP2XD (12)
3	–	–	–	IP3X (13)	IP3XD (14)
4	–	–	–	–	IP4X (15)

NOTE The numerals in parentheses refer to the reference numbers in this annex.

Annex B (informative)

Summary of responsibilities of relevant technical committees

The IP Code for classifying the degrees of protection provided by enclosures is intended to be used for most types of electrical equipment.

It should not be assumed that this standard is suitable to cover all specific details of the various types of equipment.

It is the responsibility of relevant technical committees to specify in their relevant product standards all details concerning the application of the IP Code to a particular type of equipment.

Marking with the IP Code indicates a claim for compliance with all the applicable requirements of this standard and also with any complementary requirements specified in the appropriate product standard.

The following list is given as a guide for the detailed information to be specified in product standards:

- 1) extent and manner to which the IP Code shall be used (see clause 4);
- 2) definition of “enclosure” as it applies to the particular type of equipment (see clause 2);
- 3) the protection of both the enclosure and the equipment inside the enclosure against external influences or conditions (see clause 2);
- 4) degree of protection applied to hazardous moving parts (such as fans) external to the enclosure (see clause 2);
- 5) the range of application if enclosures are exposed to temporary or continuous immersion (see clause 6);
- 6) the application of “additional letters” for protection against access to hazardous parts provided by internal barriers or distances, if necessary (see clause 7);
- 7) supplementary information to be given by “supplementary letters”, if any (see clause 8);
- 8) the Secretariat of TC 70 shall be consulted before any new supplementary letter is introduced and the additional test procedure shall be stated (see clause 8);
- 9) details for the marking (see clause 10);
- 10) atmospheric conditions for testing if different from 11.1;
- 11) state and condition of test samples if different from the “general requirements for tests” (see 11.2);
- 12) details of test conditions (see 11.2) such as:
 - number of samples
 - mounting, assembling, positioning
 - pre-conditioning
 - whether energized or not
 - whether parts in motion or not;
- 13) application of the general requirements for tests and the acceptance conditions on, drain-holes and ventilation openings (see 11.3);
- 14) guidance for the interpretation of test results and for the acceptance conditions (see 11.3);

- 15) the working voltage, if applicable (see 12.3.1 and 12.3.2);
- 16) the category of the enclosure, indicating whether a pressure difference due to thermal cycling effects is present or not (see 13.4);
- 17) the location of the suction hole for the dust test if not in the vicinity of vulnerable parts (see 13.4);
- 18) the quantity and location of dust deposits permitted without affecting the safe operation (see 13.5.2);
- 19) the test device for IPX3 and IPX4 tests (oscillating tube or spray nozzle) (see 14.2.3 and 14.2.4);
- 20) the type of support for the enclosure (if not perforated) during IPX4 test (see 14.2.4);
- 21) the water temperature if the equipment is energized or running during the immersion test (see 14.2.7 d));
- 22) conditions for the continuous immersion test (see 14.2.8);
- 23) the acceptance conditions following the water tests, in particular the amount of water which may be allowed to enter and the details of any dielectric strength test (see 14.3);
- 24) the acceptance conditions if water can accumulate to reach live parts (see 14.3).

Bibliography

IEC 61032: *Protection of persons and equipment by enclosures – Probes for verification*

IEC 61140: *Protection against electric shock – Common aspects for Installation and equipment*



Standards Survey

The IEC would like to offer you the best quality standards possible. To make sure that we continue to meet your needs, your feedback is essential. Would you please take a minute to answer the questions overleaf and fax them to us at +41 22 919 03 00 or mail them to the address below. Thank you!

Customer Service Centre (CSC)

International Electrotechnical Commission

3, rue de Varembé
1211 Genève 20
Switzerland

or

Fax to: **IEC/CSC** at +41 22 919 03 00

Thank you for your contribution to the standards-making process.

A Prioritaire

Nicht frankieren
Ne pas affranchir



Non affrancare
No stamp required

RÉPONSE PAYÉE

SUISSE

Customer Service Centre (CSC)
International Electrotechnical Commission
3, rue de Varembé
1211 GENEVA 20
Switzerland





Enquête sur les normes

La CEI ambitionne de vous offrir les meilleures normes possibles. Pour nous assurer que nous continuons à répondre à votre attente, nous avons besoin de quelques renseignements de votre part. Nous vous demandons simplement de consacrer un instant pour répondre au questionnaire ci-après et de nous le retourner par fax au +41 22 919 03 00 ou par courrier à l'adresse ci-dessous. Merci !

Centre du Service Clientèle (CSC)

Commission Electrotechnique Internationale

3, rue de Varembé

1211 Genève 20

Suisse

ou

Télécopie: **CEI/CSC** +41 22 919 03 00

Nous vous remercions de la contribution que vous voudrez bien apporter ainsi à la Normalisation Internationale.

A Prioritaire

Nicht frankieren
Ne pas affranchir



Non affrancare
No stamp required

RÉPONSE PAYÉE

SUISSE

Centre du Service Clientèle (CSC)

Commission Electrotechnique Internationale

3, rue de Varembé

1211 GENÈVE 20

Suisse



