

# HIGH VOLTAGE DC LATCH RELAY

## LDC-350



LDC-350

### ▶ 코일정격 (Magnet coil ratings)

Nominal voltage(V)	Item	Inrush Coil current (Max.)	Pick-up Holding Time (ms)	Pick-up voltage (V)	Drop-out voltage (V)	Drop-out Time (ms)	Max. voltage (V)max.
12		1.7A	50 ~ 100ms	9V ~ 15V DC	9V ~ 15V DC	50 ~ 100ms	15VDC
24		0.85A	50 ~ 100ms	18V ~ 30V DC	18V ~ 30V DC	50 ~ 100ms	30VDC

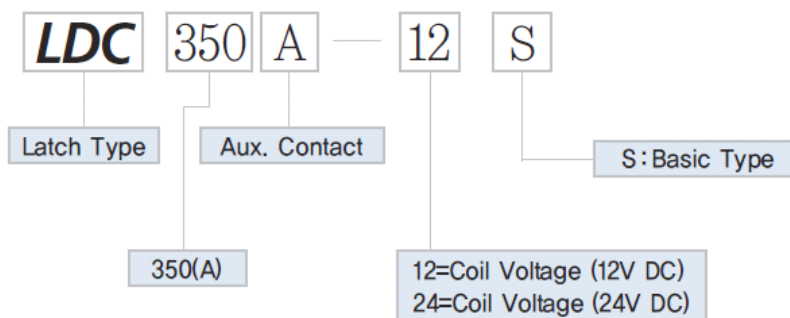
- Notes : 1. Nominal current and coil resistance are measured at +20°C.  
 2. Differences of coil resistance are ±10%.  
 3. Performance characteristic coil temperature is measured at +20°C.

### ▶ 접점정격 (Contact ratings)

(450VDC기준)

Item	Type	1Pole Resistive load (L/R≤1ms)
		LDC 350
Max. Continuous current (wire size 100mm <sup>2</sup> ×2)		350A
Max. switching current		350A
Max. switching voltages		700VDC
Contact rating switching voltages		450VDC
Voltage drop across contacts per 100A		10mV max.
Min. permissible load		12VDC 0.5A
Description		S,P On/Off (a)
Contact Arrangement, auxiliary contacts		1Form A (SPST-NO.)
Aux. Contact Current, Max.		2A 30VDC / 3A 125VAC
Aux. Contact Current, Min.		100mA 8VDC

### ▶ 주문방법 (Ordering information)



## HIGH VOLTAGE DC LATCH RELAY

## LDC-350

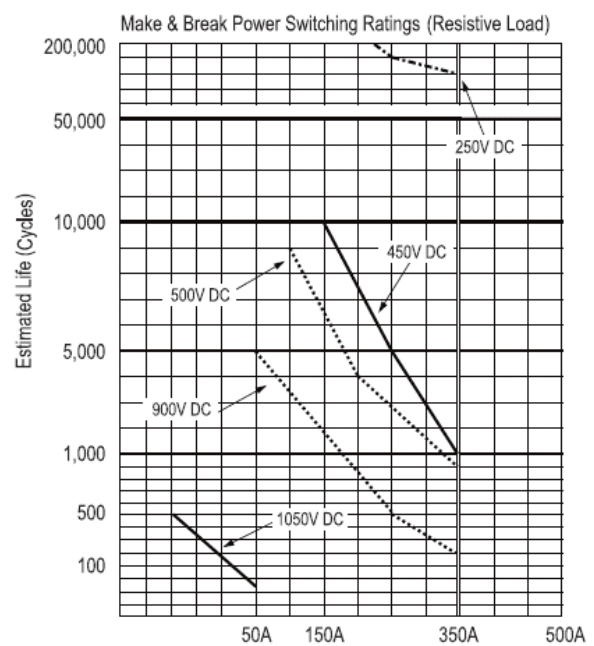
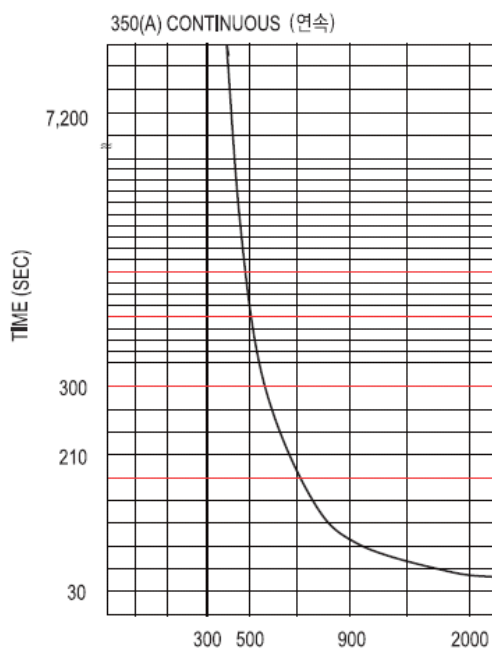


## ▶ 성능 (Characteristics)

Expected life	Mechanical (Min.)		$10^6$
	Electric (L/R≤1ms)	450V DC 350A	$10^3$
		250V DC 350A	$10^5$
Initial insulation resistance			Min. 100M $\Omega$ 500V DC
Initial breakdown voltage	Between open contacts		3500V AC 1Min. 5mA
	Between contacts & coil		3500V AC 1Min. 5mA
Operate time (at 20°C)			Max. 20ms
Release time (at 20°C)			Max. 20ms
Shock resistance	Functional		Min 100 % {10G}
	Destructive		Min 100 % {10G}
Vibration resistance	Functional		100 % {10G} 10 to 500Hz
	Destructive		100 % {10G} 10 to 500Hz
Conditions for operation transport and storage	Ambient temperature		-40°C to +85°C
	Humidity		5 to 85% R.H.
Unit weight			610g

## ▶ 특성곡선 (Reference data)

- 온도상승곡선
- 통전시간의 최대치 Max, Current capacity  
Max, Continous thermal current rating (amperes)



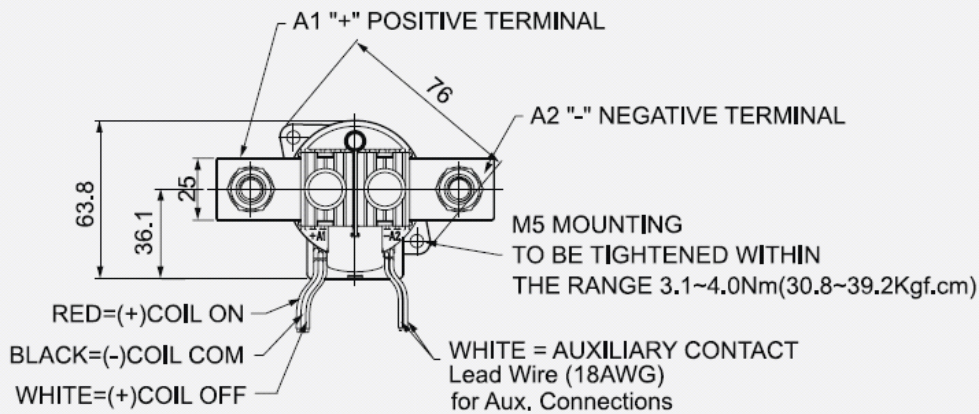
# HIGH VOLTAGE DC LATCH RELAY

## LDC-350

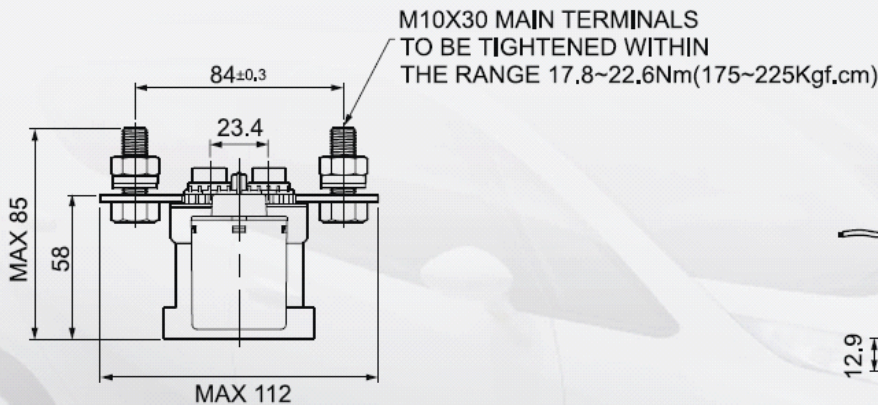
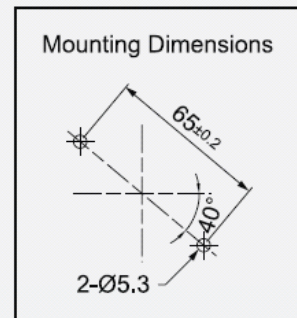


LDC-350

### 외형치수도 (Dimension in mm)



Lead Wire (18AWG)  
for Coil Connections





*Hybrid, Electric & Fuel cell vehicles*

## DC HIGH VOLTAGE EV RELAY

**본사 및 청원사업장**

363-923 충북 청원군 북이면 내둔리 84

TEL : (043)-212-6651, FAX : (043)-212-6650

84, Naedun-ri, Buki-myeon, Cheongwon-gun, Chungbuk, Korea

TEL : +82-43-212-6651, FAX : +82-43-212-6650

[http:// www.goodymt.com](http://www.goodymt.com) [http:// www.goodymt.co.kr](http://www.goodymt.co.kr)

**China office:**

Shanghai Dikken industry Co.,Ltd

19-BLag,No.900,Hutign North Road,shanghai China

Tel:(86) 21 6775 8010 Fax:(86) 21 6775 8207

<http://www.dikken.com.cn>