



WALRUS

MULTISTAGE CENTRIFUGAL PUMP

Immersible Pumps

TPHK 2/4/8/12T



WALRUS PUMP CO., LTD.

ISO 9001 Certified



WALRUS

● Applications

The WALRUS TPHK Series is vertical multistage centrifugal pump, designed for industrial use, specially for machine tools, to carry fluids such as water, coolant, light oil and other clean, non aggressive matters.

- Industrial circulation system
- Washing/cleaning system
- Filtration system

● Pump construction

Submersible vertical multistage centrifugal pump, self-priming, co-axial pump/motor design, impellers mounted on extended motor shaft. Main working parts made by stainless steel.

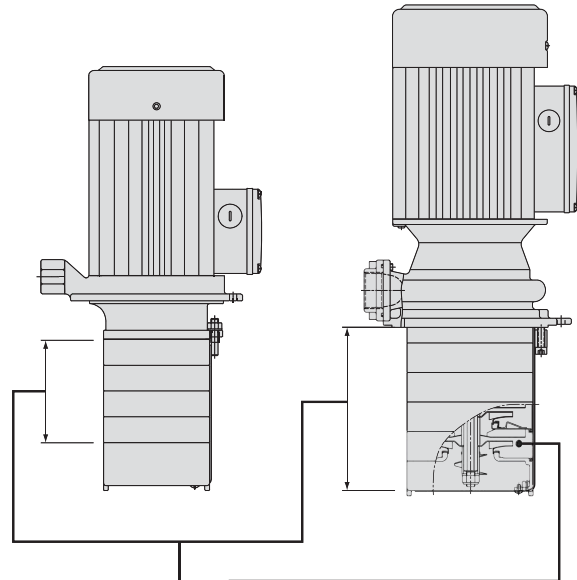
● Motor

Nominal speed :3500 / 2900 rpm (CW, on fan side)
 Frequency range : 60 / 50 Hz
 Standard voltages : 220V / 380V
 Enclosure class : IP54
 Insulation class : F.

● Operation conditions

Ambient temperature :Max. +50°C
 Liquid temperature range :+0°C ~ +90°C
 Operating pressure :Max. 10 kg/cm²
 Submerged depth :Min. 65mm

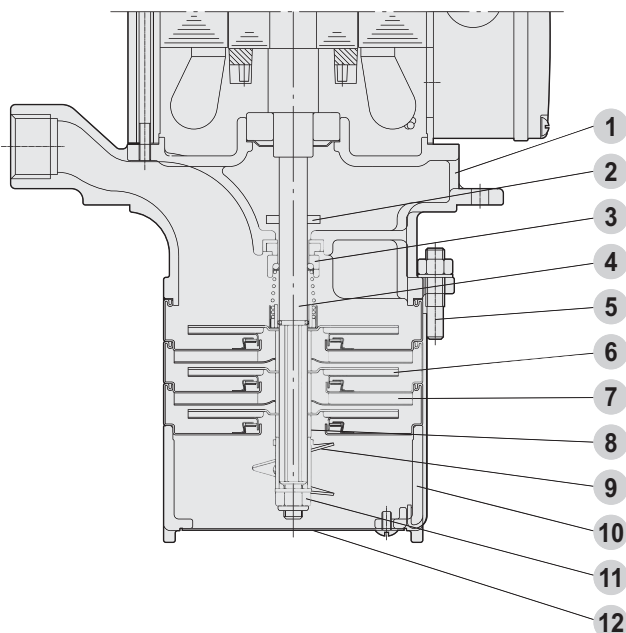
● Model code



TPHK 2T ** - 4 S

- Stainless steel series
- Number of Impellers
- Number of Stages
- Standard capacity m³/h
- Model name

● 2T/4T Sectional drawing

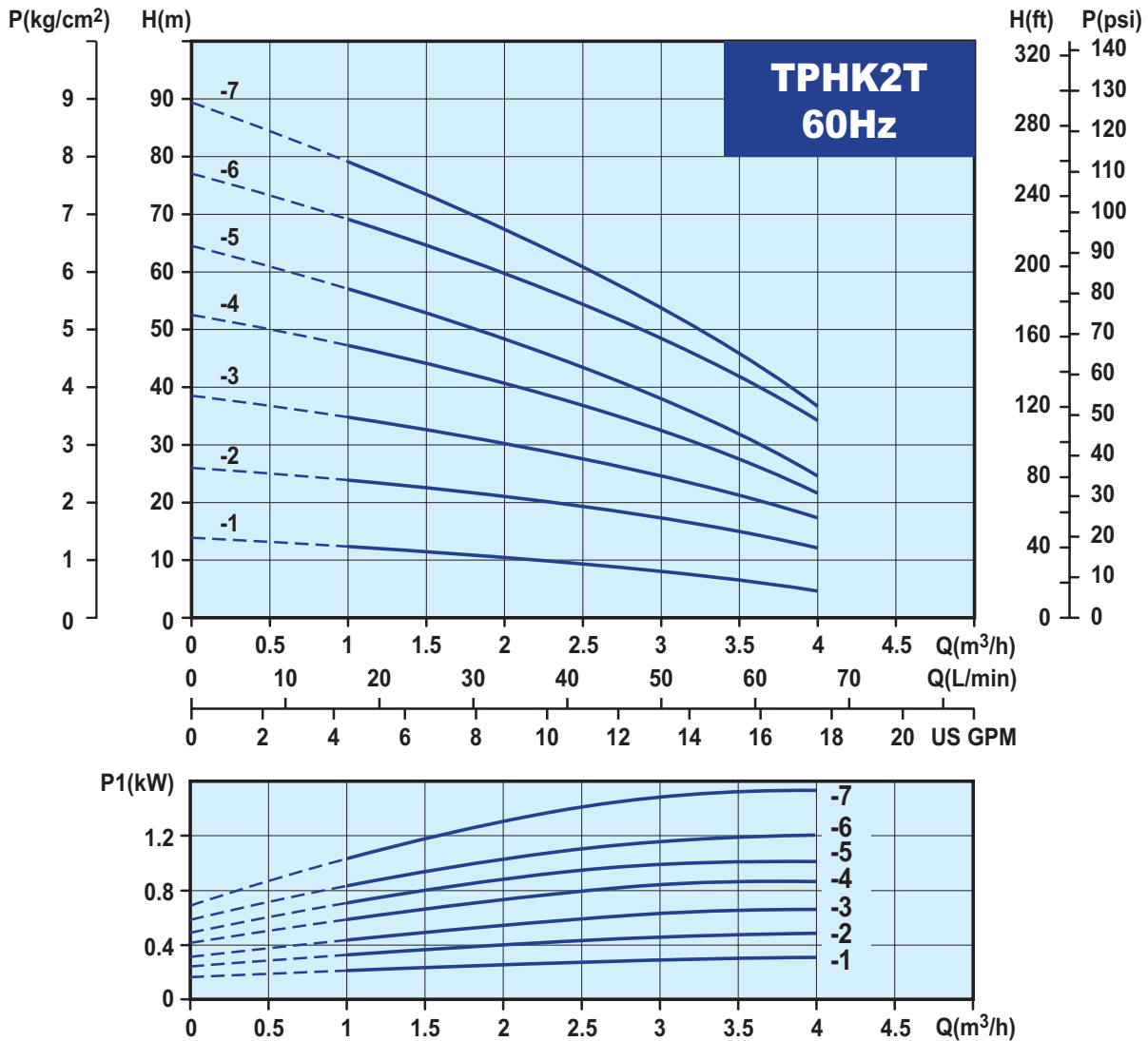


● Materials

NO.	Part name	Material
1	Pump Casing	FCD 45 / SUS 304
2	Drain Ring	NBR
3	Mechanical Seal	WC + Viton
4	Shaft	SUS 304
5	Strap	SUS 304
6	Impeller	SUS 304
7	Intermediate chamber	SUS 304
8	Sleeve	SUS 304
9	Priming screw	SUS 304
10	Suction intercon-necter	SUS 304
11	Lock Nut	SUS 304
12	Filter	SUS 304



Performance curves



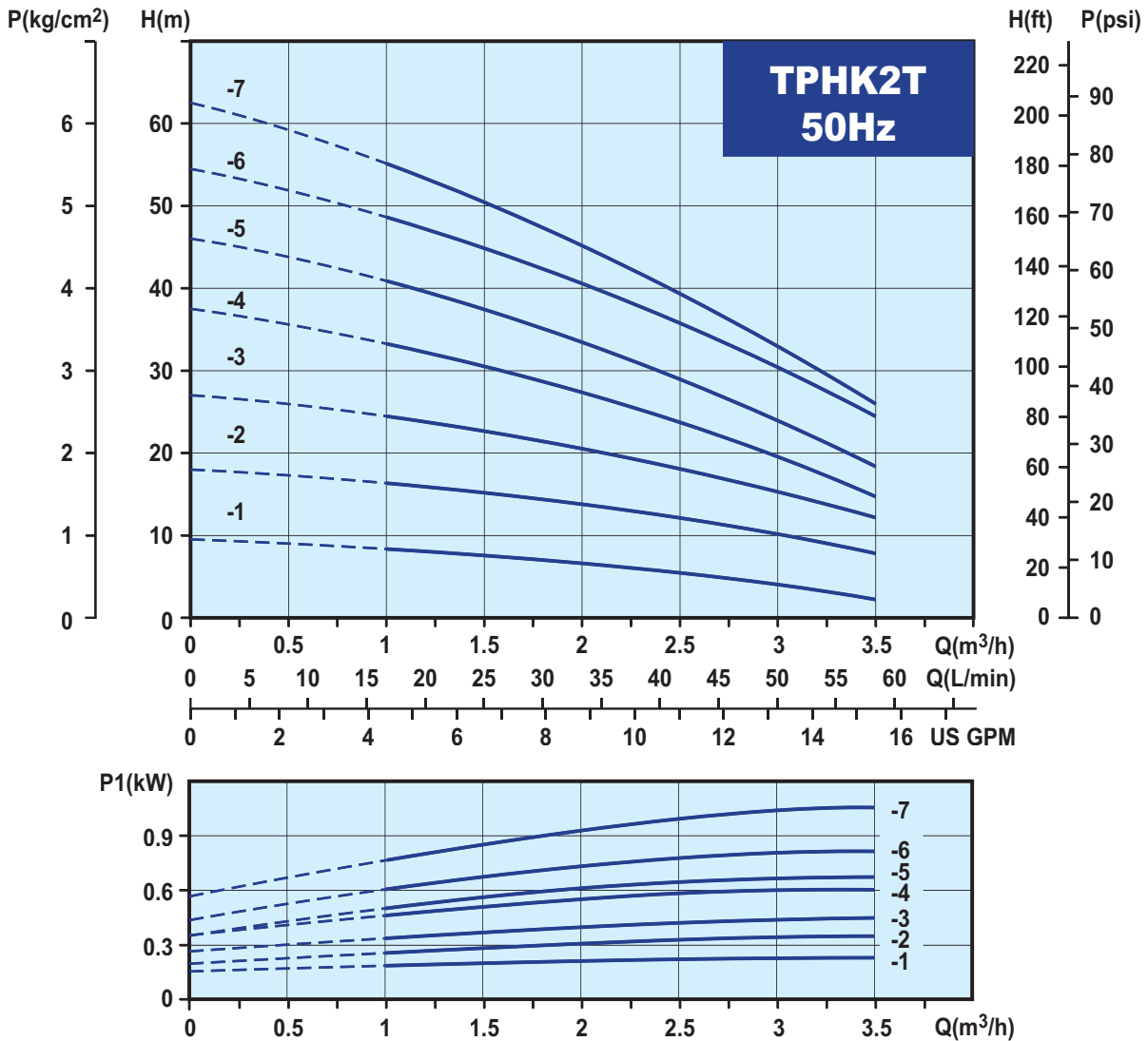
Electrical data, 3Ø 60Hz , 3500rpm

Model	Volts (V)	Input Power (W)	Input Ampere (A)
TPHK 2T ** -1	200-255 / 380-480	360	1.5-2.0 / 1.0-1.3
TPHK 2T ** -2	200-255 / 380-480	560	2.1-2.2 / 1.5-1.5
TPHK 2T ** -3	200-255 / 380-480	750	2.6-2.5 / 1.6-1.6
TPHK 2T ** -4	200-255 / 380-480	910	3.0-2.9 / 1.7-1.7
TPHK 2T ** -5	200-255 / 380-480	1060	3.3 / 1.8
TPHK 2T ** -6	200-255 / 380-480	1340	4.5-4.4 / 2.5-2.7
TPHK 2T ** -7	220 / 380	1580	5.6 / 3.2

** = Number of Stages, maximum 11 stages.



Performance curves



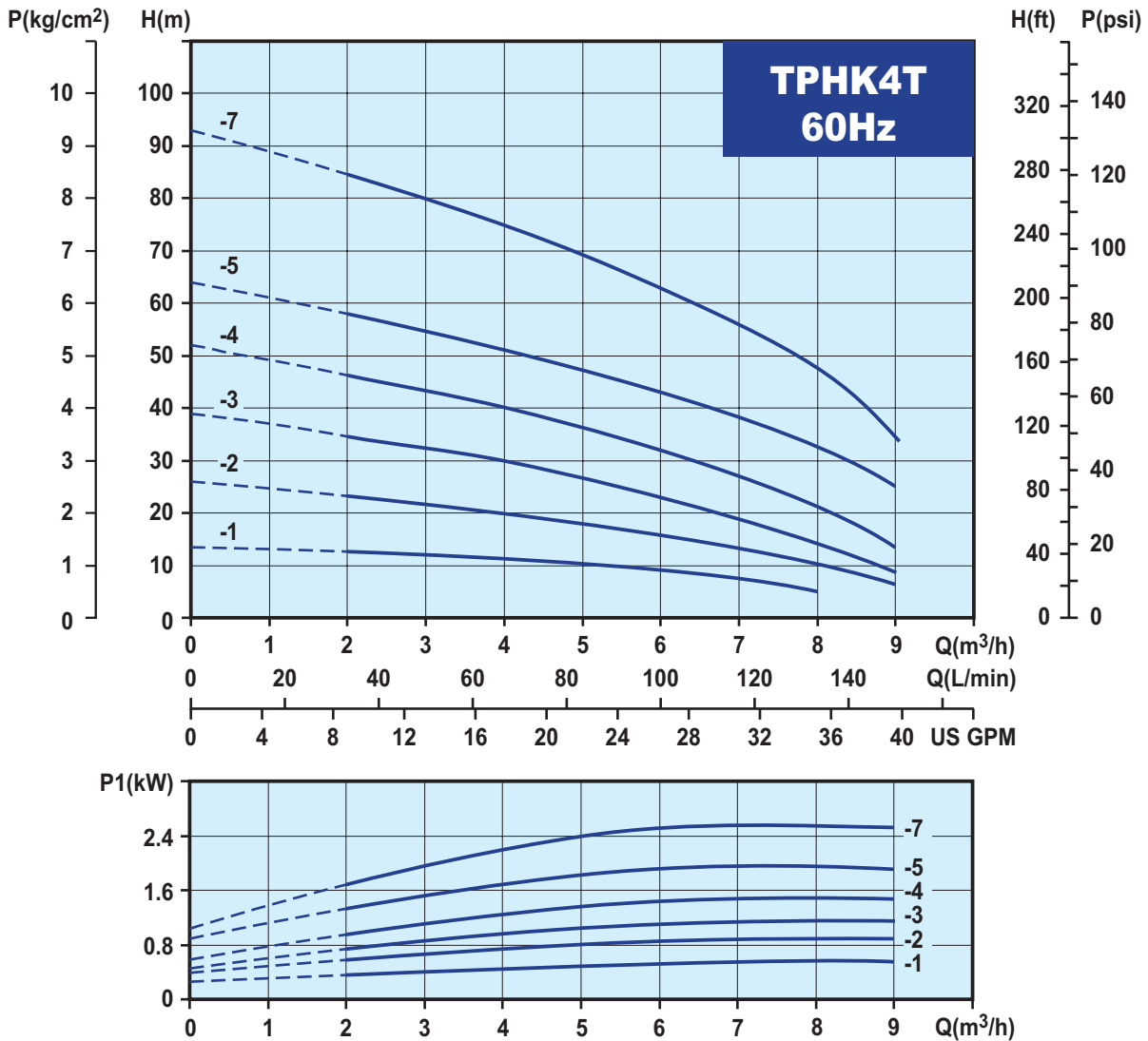
Electrical data, 3Ø 50Hz , 2900rpm

Model	Volts (V)	Input Power (W)	Input Ampere (A)
TPHK 2T ** -1	200-255 / 380-440	320	1.6-2.8 / 1.1-1.5
TPHK 2T ** -2	200-255 / 380-440	450	1.9-2.8 / 1.2-1.5
TPHK 2T ** -3	200-255 / 380-440	530	2.0-2.8 / 1.3-1.6
TPHK 2T ** -4	200-255 / 380-440	620	2.2-2.9 / 1.4-1.7
TPHK 2T ** -5	200-255 / 380-440	700	3.0 / 1.6
TPHK 2T ** -6	200-255 / 380-440	960	3.6-5.0 / 2.2-2.8
TPHK 2T ** -7	220 / 380	1200	5.4 / 3.1

** = Number of Stages, maximum 11 stages.



Performance curves



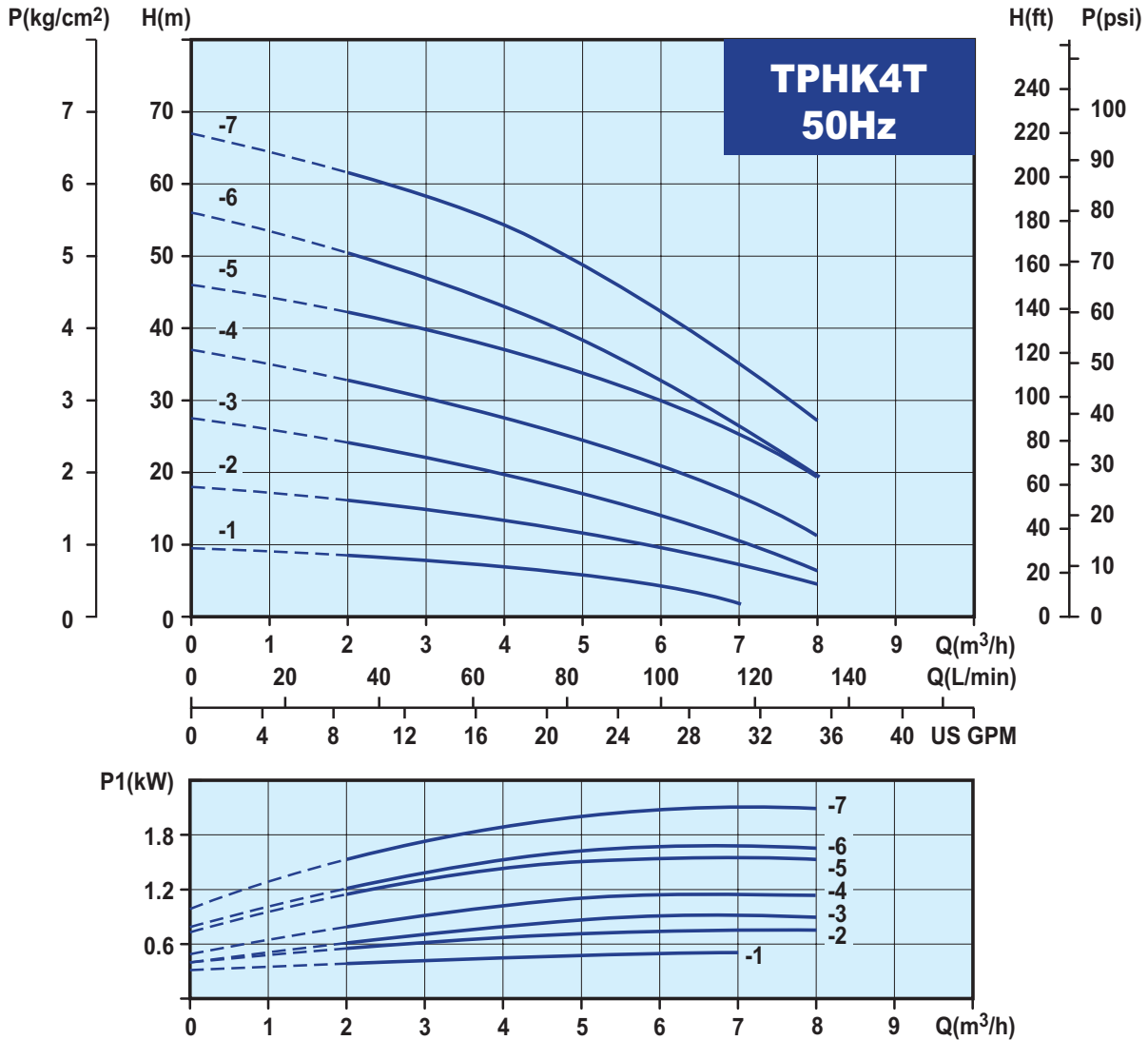
Electrical data, 3Ø 60Hz , 3500rpm

Model	Volts (V)	Input Power (W)	Input Ampere (A)
TPHK 4T ** -1	200-255 / 380-480	600	2.3-2.3 / 1.4-1.4
TPHK 4T ** -2	200-255 / 380-480	960	3.0-2.9 / 1.7-1.7
TPHK 4T ** -3	200-255 / 380-480	1270	4.0 / 2.4
TPHK 4T ** -4	220 / 380	1580	5.0 / 2.9
TPHK 4T ** -5	220 / 380	2050	6.0 / 3.5
TPHK 4T ** -7	220 / 380	2600	8.1 / 4.7

** = Number of Stages, maximum 8 stages.



Performance curves



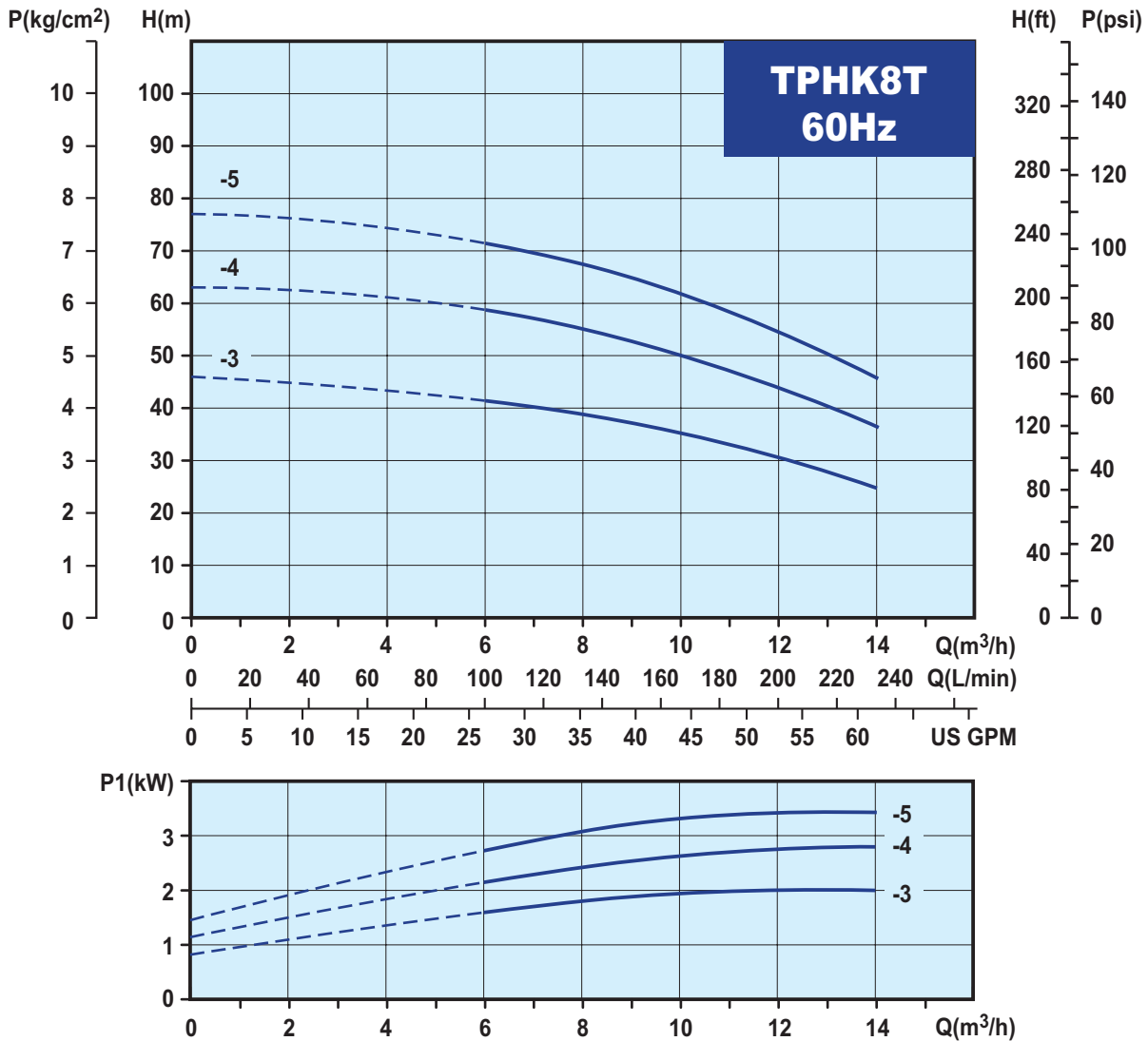
Electrical data, 3Ø 50Hz , 2900rpm

Model	Volts (V)	Input Power (W)	Input Ampere (A)
TPHK 4T ** -1	200-255 / 380-440	570	1.9-2.8 / 1.2-1.7
TPHK 4T ** -2	200-255 / 380-440	650	2.2-2.8 / 1.4-1.7
TPHK 4T ** -3	200-255 / 380-440	850	3.6 / 2.1
TPHK 4T ** -4	220 / 380	1080	3.5 / 2.0
TPHK 4T ** -5	220 / 380	1400	6.4 / 3.6
TPHK 4T ** -6	200-255 / 380-480	1640	5.5 / 3.5
TPHK 4T ** -7	220 / 380	1800	8.1 / 4.7

** = Number of Stages, maximum 8 stages.



Performance curves



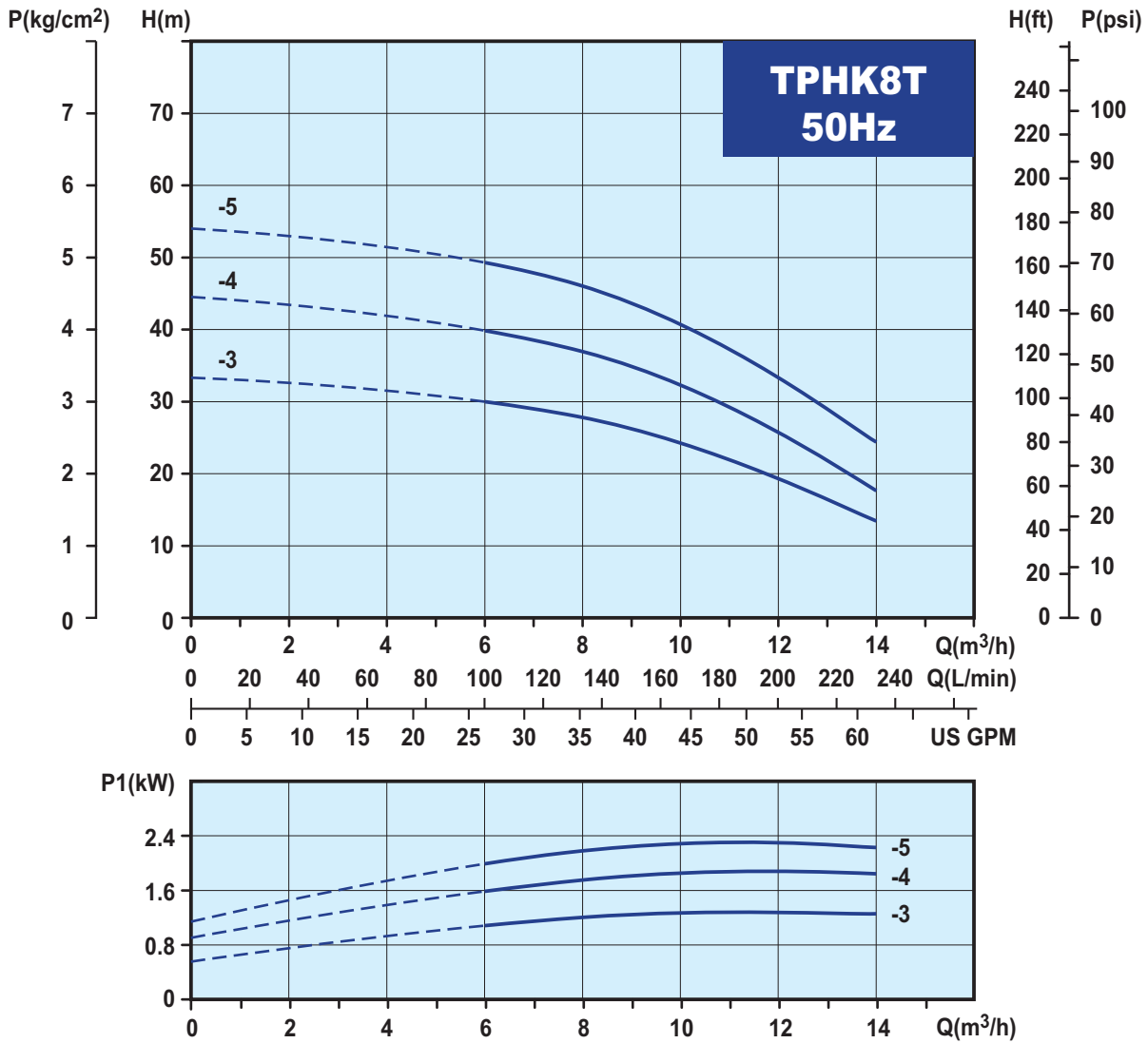
Electrical data, 3Ø 60Hz , 3500rpm

Model	Volts (V)	Input Power (W)	Input Ampere (A)
TPHK 8T ** -3	200-255 / 380-480	2350	7.1-6.4 / 4.0-3.7
TPHK 8T ** -4	200-255 / 380-440	3000	9.4 / 5.5
TPHK 8T ** -5	200-255 / 380-440	3900	12.3 / 6.5

** = Number of Stages, maximum 6 stages.



Performance curves



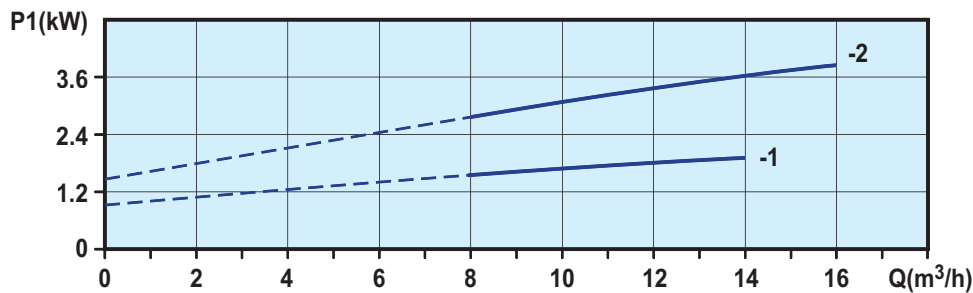
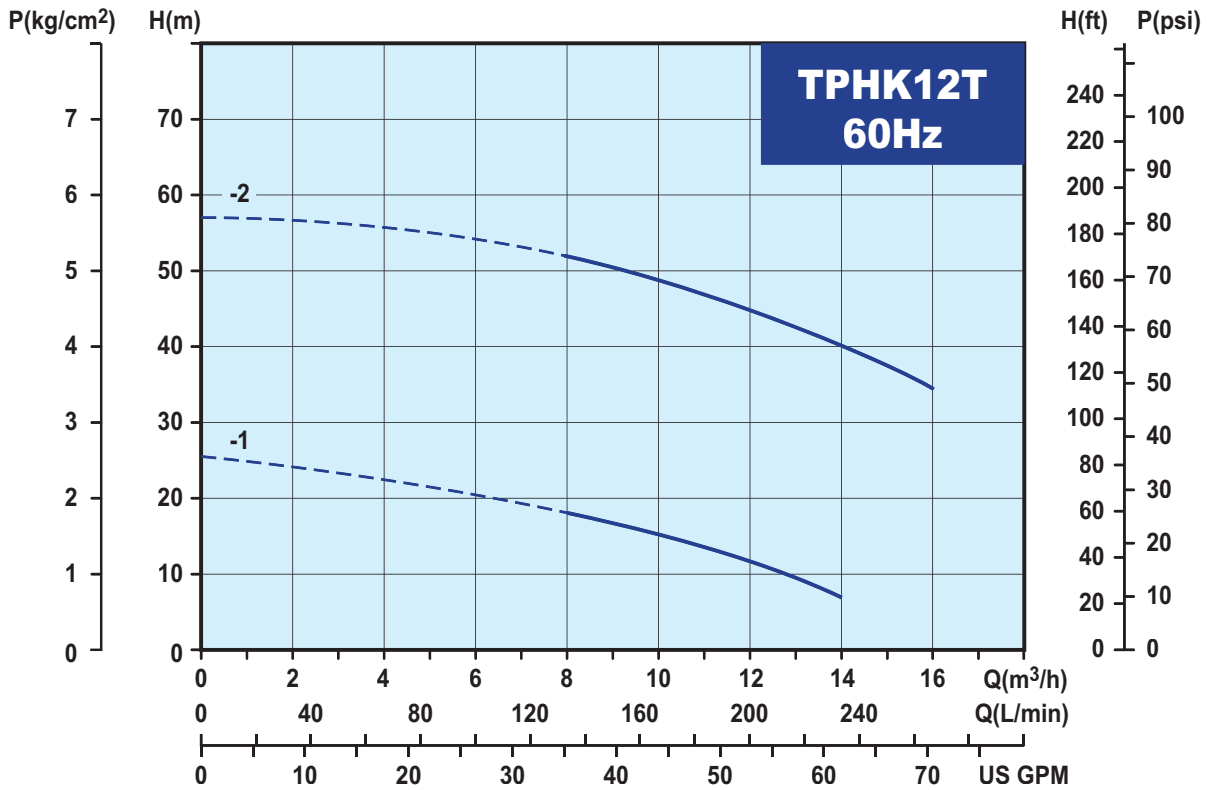
Electrical data, 3Ø 50Hz , 2900rpm

Model	Volts (V)	Input Power (W)	Input Ampere (A)
TPHK 8T ** -3	200-255 / 380-440	1550	4.9-6.3 / 2.9-3.6
TPHK 8T ** -4	200-240 / 380-415	2200	8.7-13.1 / 6.1-7.9
TPHK 8T ** -5	200-240 / 380-415	2600	10.5-12.9 / 5.9-7.9

** = Number of Stages, maximum 6 stages.



Performance curves

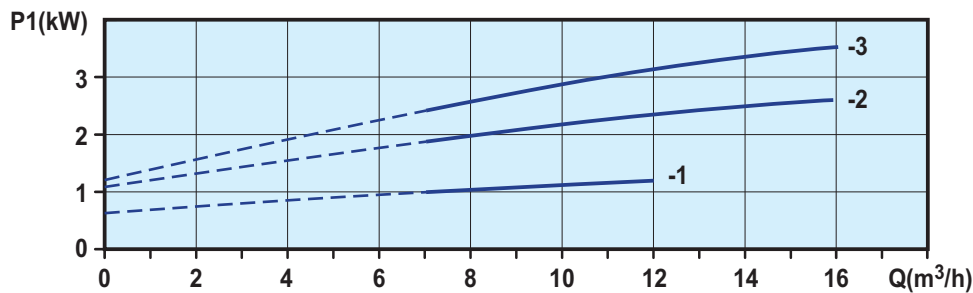
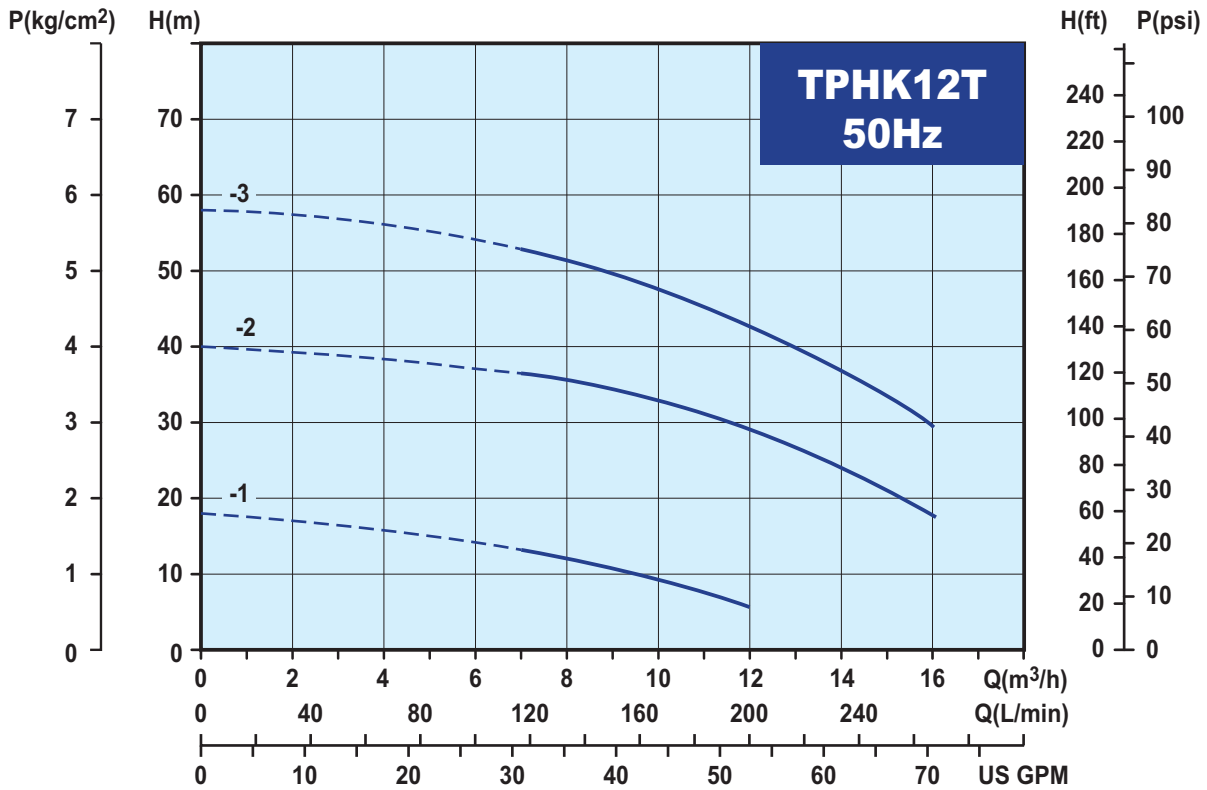


Electrical data, 3Ø 60Hz , 3500rpm

Model	Volts (V)	Input Power (W)	Input Ampere (A)
TPHK 12T 6 -1	200-255 / 380-480	2000	6.6-5.8 / 3.6-2.9
TPHK 12T 6 -2	200-255 / 380-440	4150	12.3 / 7.1



Performance curves



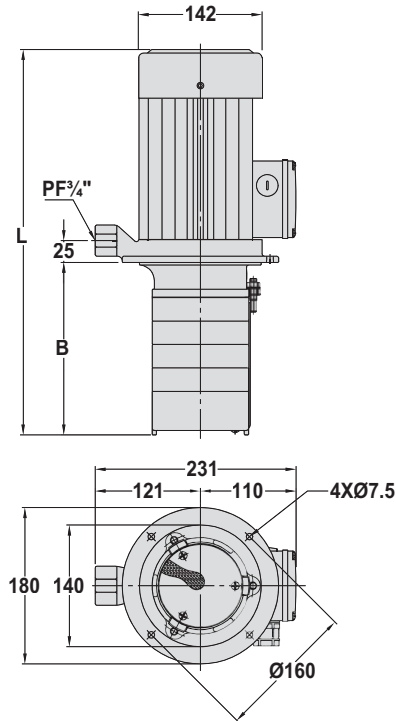
Electrical data, 3Ø 50Hz , 2900rpm

Model	Volts (V)	Input Power (W)	Input Ampere (A)
TPHK 12T 6 -1	200-255 / 380-440	1400	4.5-6.3 / 2.7-3.4
TPHK 12T 6 -2	200-240 / 380-415	3120	10.7-13.1 / 6.1-7.9
TPHK 12T 6 -3	200-240 / 380-440	3830	11.6 / 7.2

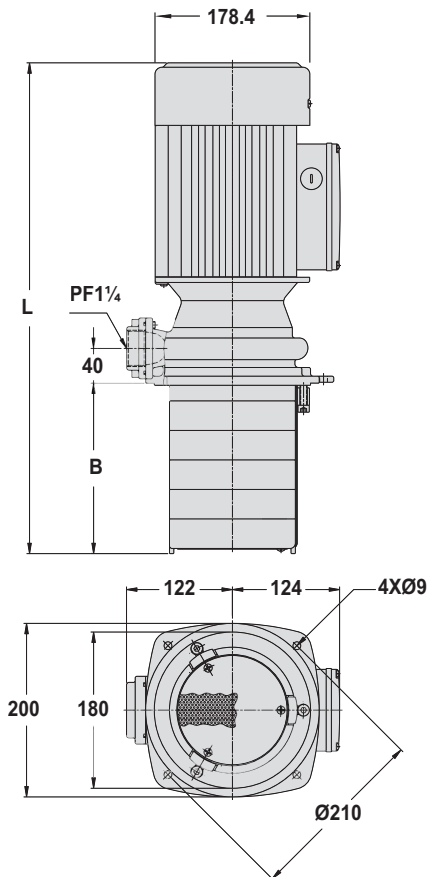


WALRUS

TPHK 2T/4T



TPHK 8T/12T



Dimensions

Model	B (mm)	L (mm)	N.W.(kg)
TPHK 2T 3 -1	145	350	10.9
TPHK 2T 8 -1	235	440	11.9
TPHK 2T 3 -2	145	350	11.1
TPHK 2T 5 -2	181	386	11.5
TPHK 2T 9 -2	253	458	12.3
TPHK 2T 3 -3	145	350	11.2
TPHK 2T 4 -3	163	368	11.4
TPHK 2T 5 -3	181	386	11.6
TPHK 2T 6 -3	199	404	11.8
TPHK 2T 8 -3	235	440	12.2
TPHK 2T11-3	289	494	12.6
TPHK 2T 4 -4	163	368	11.5
TPHK 2T 6 -4	199	404	11.9
TPHK 2T 5 -5	181	426	12.7
TPHK 2T 6 -6	199	444	13.5
TPHK 2T 8 -6	235	480	13.9
TPHK 2T 9 -6	253	498	14.1
TPHK 2T10-6	271	516	14.2
TPHK 2T11-6	289	534	14.4
TPHK 2T 7 -7	217	462	13.0
TPHK 4T 2 -1	145	350	10.8
TPHK 4T 2 -2	145	350	11.0
TPHK 4T 3 -2	172	377	11.2
TPHK 4T 4 -2	199	404	11.4
TPHK 4T 6 -2	253	458	11.6
TPHK 4T 3 -3	172	417	11.7
TPHK 4T 4 -3	199	444	11.9
TPHK 4T 5 -3	226	471	12.1
TPHK 4T 6 -3	253	498	12.3
TPHK 4T 8 -3	307	552	12.7
TPHK 4T 4 -4	199	444	13.3
TPHK 4T 5 -4	226	471	13.5
TPHK 4T 6 -4	253	498	13.7
TPHK 4T 5 -5	226	471	13.9
TPHK 4T 8 -5	307	552	14.5
TPHK 4T 6 -6	253	498	14.1
TPHK 4T 8 -6	307	552	14.6
TPHK 4T 7 -7	280	525	14.6
TPHK 4T 8 -7	307	552	14.8
TPHK 8T 3 -3	95.5	464.5	23.0
TPHK 8T 6 -3	199	568	24.3
TPHK 8T 4 -4	130	499	27.0
TPHK 8T 6 -4	199	568	28.0
TPHK 8T 5 -5	164.5	533.5	28.0
TPHK12T 6 -1	199	568	27.0
TPHK12T 6 -2	199	568	29.0
TPHK12T 6 -3	199	568	30.0



WALRUS

WALRUS PUMP CO., LTD.

All specifications are subject to change without notice. 004