



WALRUS

MULTISTAGE CENTRIFUGAL PUMP

Immersible Pumps

TPK 2T/4T 50Hz/60Hz



WALRUS PUMP CO., LTD.

ISO 9001 Certified





Applications

The WALRUS TPK Series is vertical multistage centrifugal pump, designed for industrial use, specially for machine tools, to carry fluids such as water, coolant, light oil and other clean, non aggressive matters.

- Industrial circulation system
- Washing/cleaning system
- Filtration system

Motor

Nominal speed : 3500 / 2900 rpm (CCW, on fan side)
 Frequency range : 60 / 50 Hz
 Standard voltages : 3Ø 220 / 380V
 Enclosure class : IP54
 Insulation class : F.

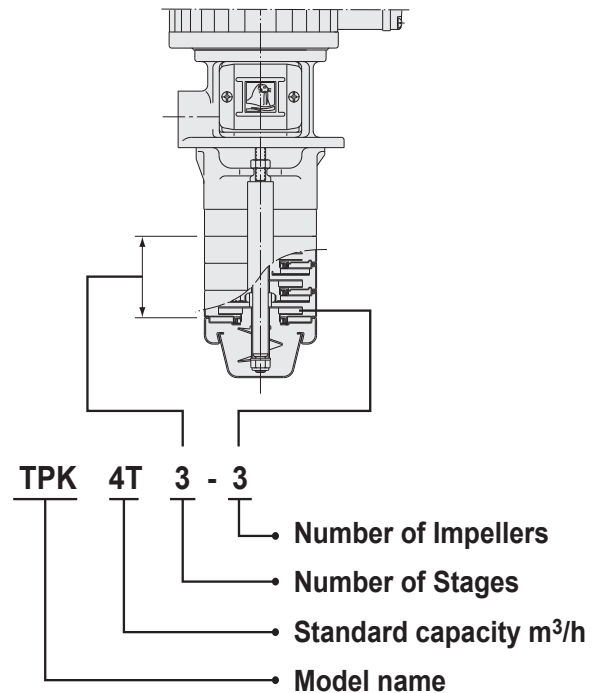
Operation conditions

Ambient temperature : Max. +50°C
 Liquid temperature range : +0°C~+90°C
 Operating pressure : Max. 10 kg/cm²
 Submerged depth : Min. 60mm

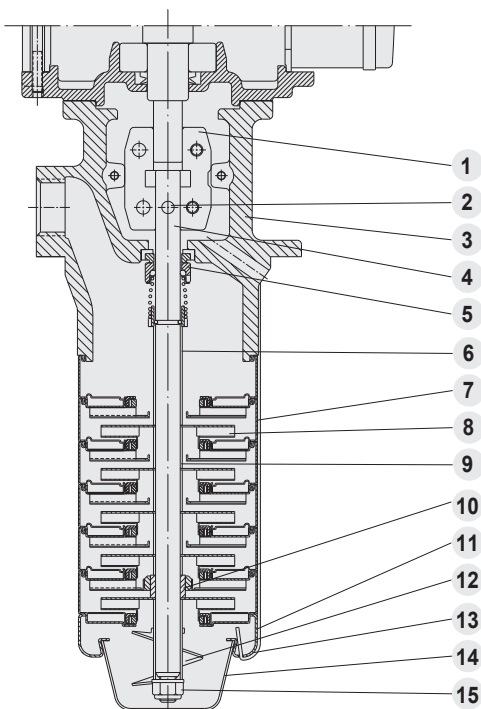
Pump construction

Submersible vertical multistage centrifugal pump, self-priming, stub pump shaft per coupling connect with motor. Main working parts made by stainless steel.

Model code



Sectional drawing

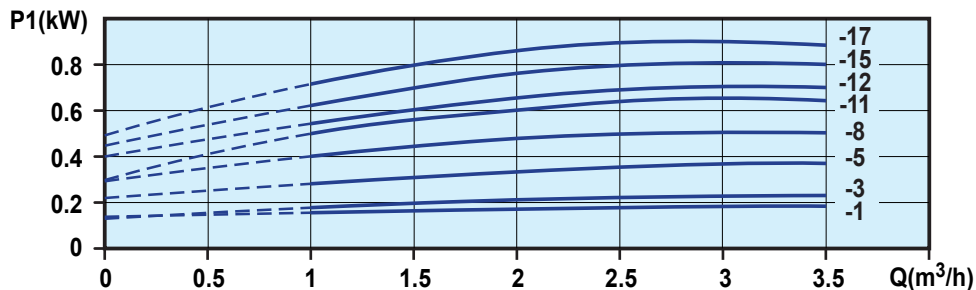
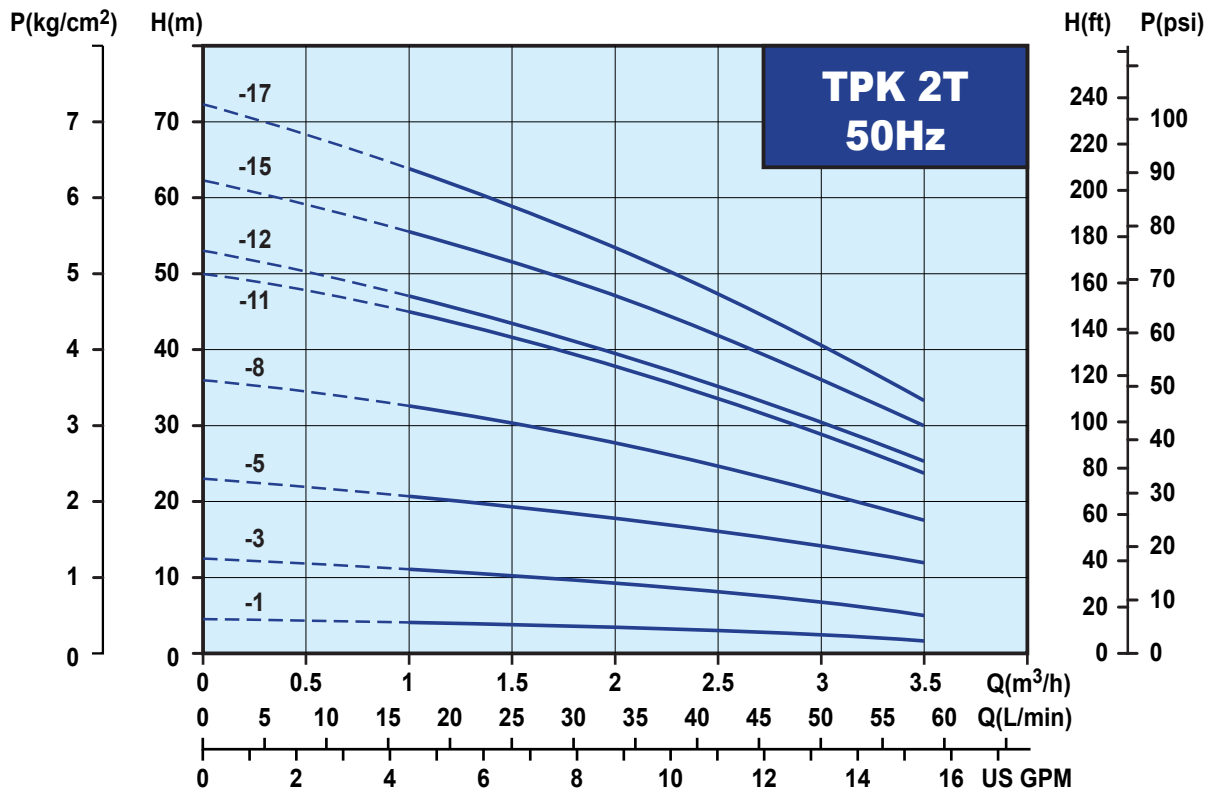


Materials

No.	Part name	Material
1	Coupling	SUS 304
2	Shaft pin	SUS 304
3	Pump head	FCD 45
4	Shaft	SUS 304
5	Mechanical Seal	SiC+RNBR
6	Sleeve	SUS 304
7	Intermediate chamber	SUS 304
8	Impeller	SUS 304
9	Sleeve (impeller)	SUS 304
10	Bearing ring	WC
11	Suction intercon-necter	SUS 304
12	Priming screw	SUS 304
13	Strap	SUS 304
14	Filter	SUS 304
15	Anti-loose Nut	SUS 304



Performance curves



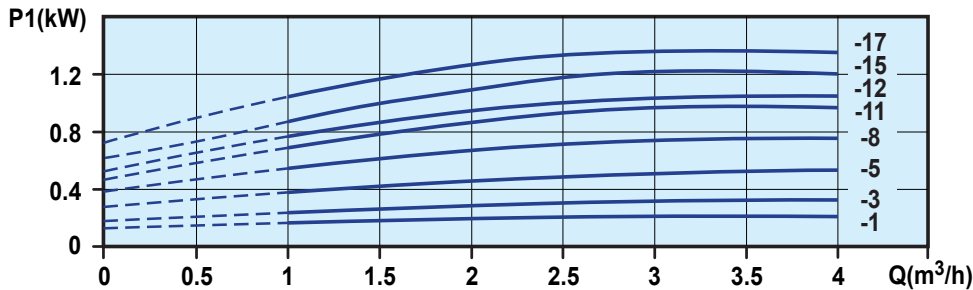
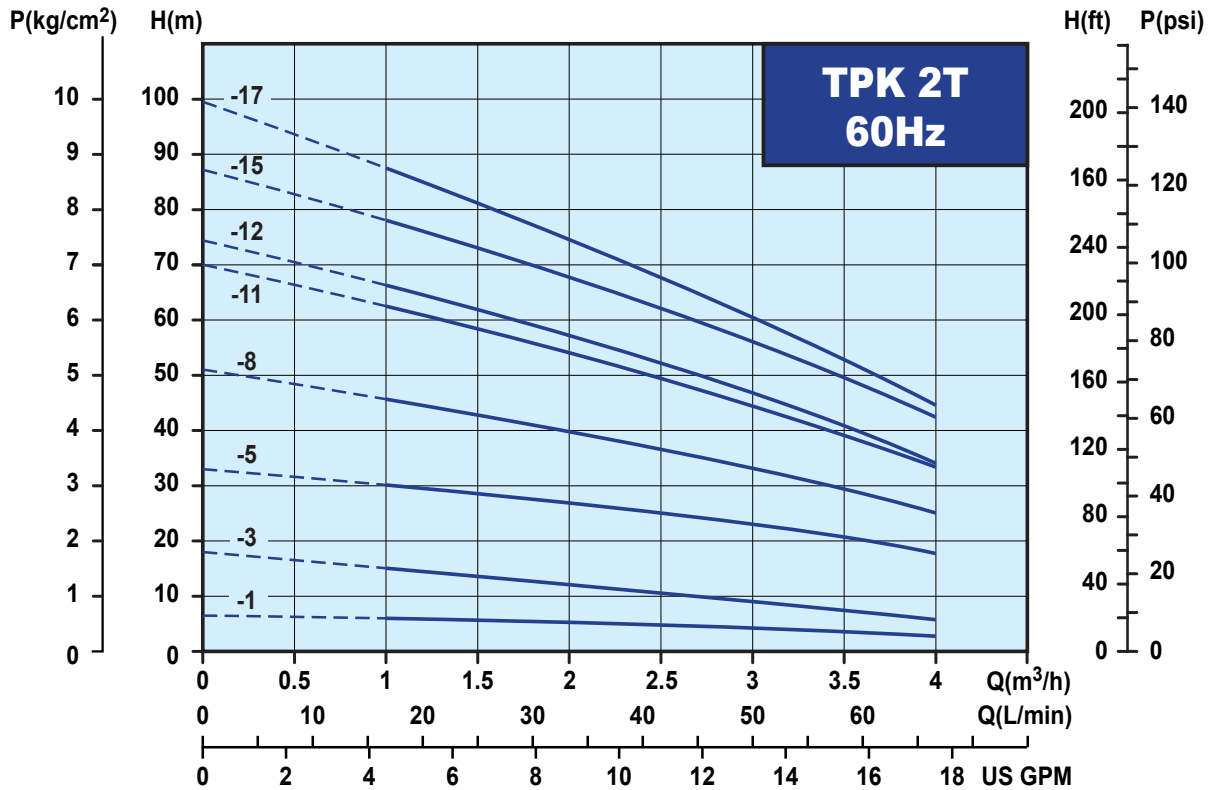
Electrical data, 3Ø 50Hz, 2900rpm

Model	Volts (V)	Input Power (W)	Input Ampere (A)
TPK 2T ** - 1	200-255 / 380-440	220	0.9 / 0.6
TPK 2T ** - 3	200-255 / 380-440	470	0.9 / 0.7-0.6
TPK 2T ** - 5	200-255 / 380-440	450	1.9-2.9 / 1.2-1.5
TPK 2T ** - 8	200-255 / 380-440	580	2.2-2.9 / 1.3-1.7
TPK 2T ** -11	200-255 / 380-440	700	3.2 / 1.8
TPK 2T ** -12	200-255 / 380-440	780	3.5 / 1.9
TPK 2T ** -15	200-255 / 380-440	850	3.4 / 2.1
TPK 2T ** -17	220 / 380	950	3.3 / 1.9

** = Number of Stages, maximum 19 stages.



Performance curves



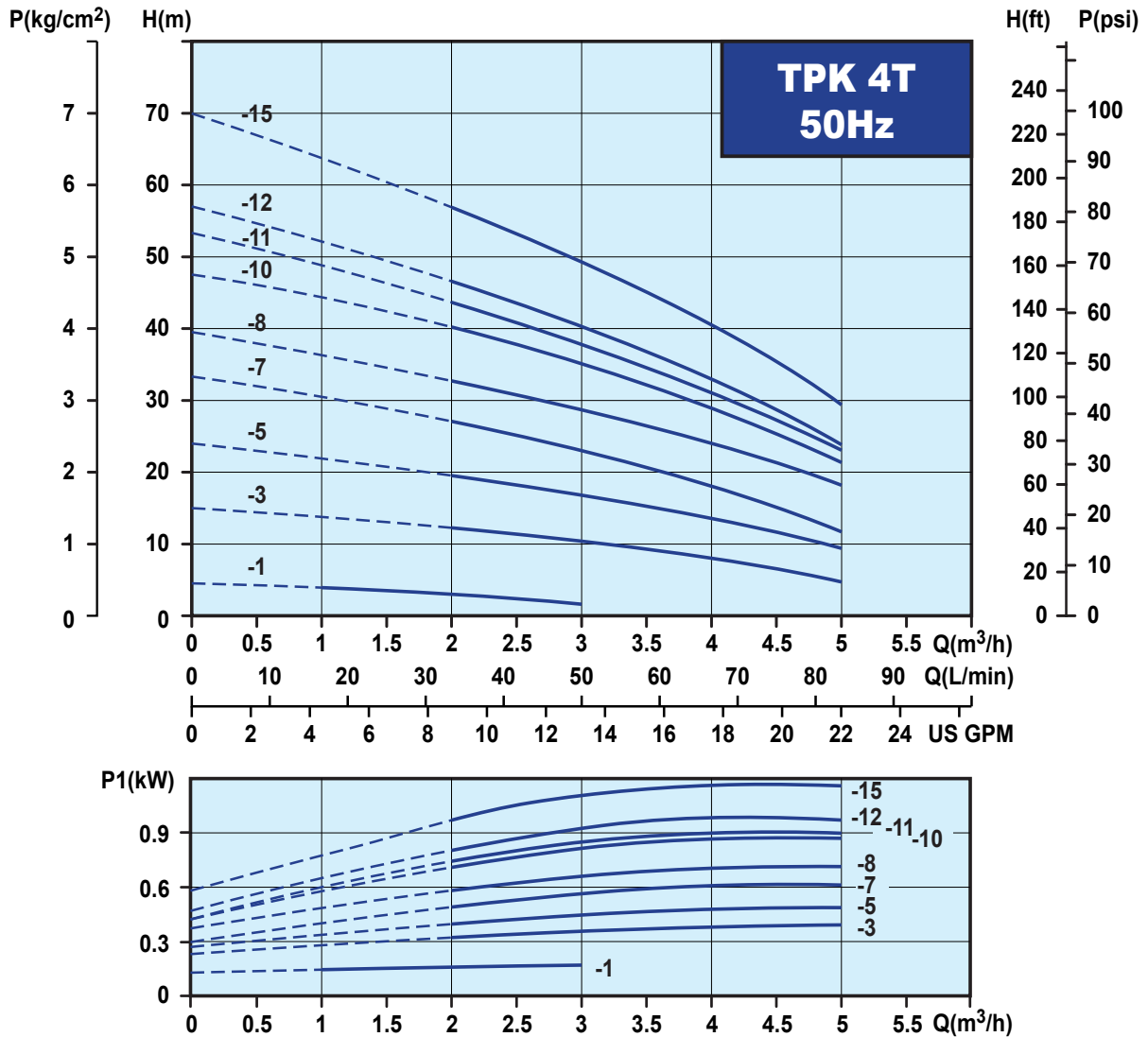
Electrical data, 3Ø 60Hz , 3500rpm

Model	Volts (V)	Input Power (W)	Input Ampere (A)
TPK 2T ** - 1	200-255 / 380-480	280	0.9 / 0.6
TPK 2T ** - 3	200-255 / 380-480	340	1.1 / 0.7-0.6
TPK 2T ** - 5	200-255 / 380-480	600	2.2-2.2 / 1.5-1.5
TPK 2T ** - 8	200-255 / 380-480	820	2.7-2.7 / 1.6-1.6
TPK 2T ** -11	200-255 / 380-480	1050	3.5 / 1.9
TPK 2T ** -12	200-255 / 380-480	1160	3.6 / 2.0
TPK 2T ** -15	200-255 / 380-480	1220	3.9 / 2.3
TPK 2T ** -17	220 / 380	1400	4.4 / 2.6

** = Number of Stages, maximum 19 stages.



Performance curves



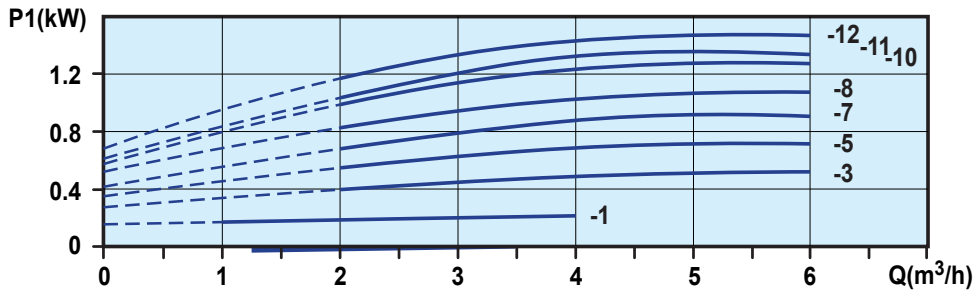
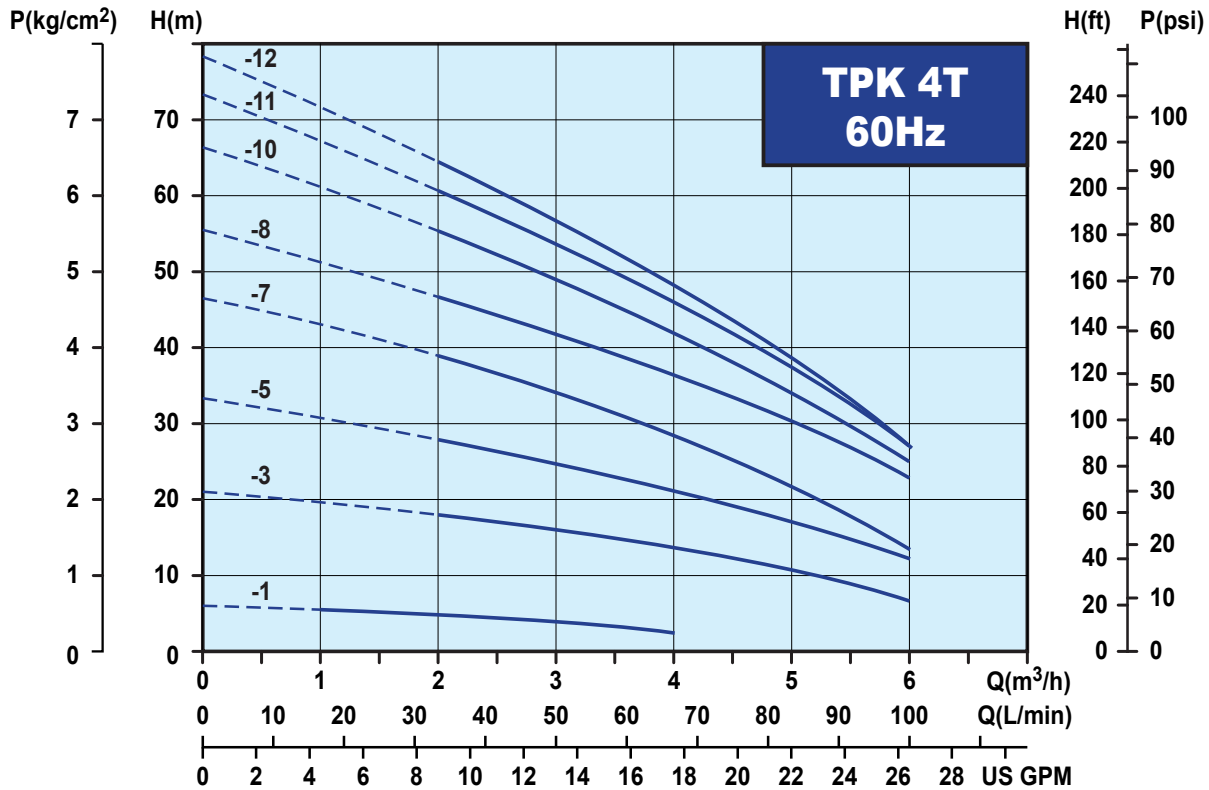
Electrical data, 3Ø 50Hz , 2900rpm

Model	Volts (V)	Input Power (W)	Input Ampere (A)
TPK 4T ** - 1	200-255 / 380-440	180	0.9 / 0.65
TPK 4T ** - 3	200-255 / 380-440	410	1.8-2.8 / 1.2-1.4
TPK 4T ** - 5	200-255 / 380-440	580	2.2-2.9 / 1.3-1.7
TPK 4T ** - 7	200-255 / 380-440	680	3.2 / 1.8
TPK 4T ** - 8	200-255 / 380-440	750	3.5 / 1.9
TPK 4T ** -10	200-255 / 380-440	900	4.7 / 2.6
TPK 4T ** -11	220 / 380	950	3.6 / 2.1
TPK 4T ** -12	220 / 380	1050	3.6 / 2.1
TPK 4T ** -15	200-240 / 380-440	1300	4.4 / 2.8

** = Number of Stages, maximum 19 stages.



Performance curves



Electrical data, 3Ø 60Hz , 3500rpm

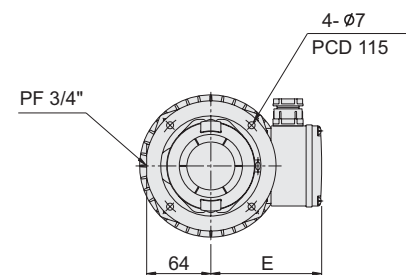
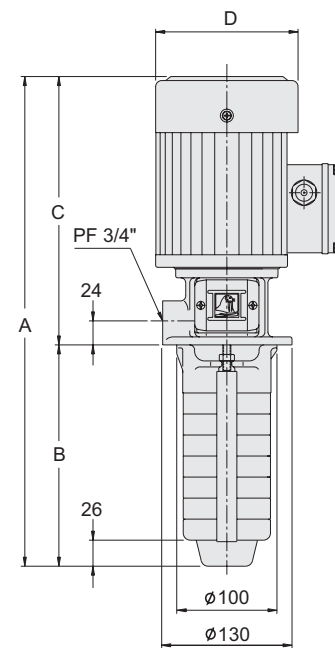
Model	Volts (V)	Input Power (W)	Input Ampere (A)
TPK 4T ** - 1	200-255 / 380-480	260	0.8 / 0.5
TPK 4T ** - 3	200-255 / 380-480	540	2.0-2.2 / 1.2-1.2
TPK 4T ** - 5	200-255 / 380-480	820	2.7-2.7 / 1.6-1.6
TPK 4T ** - 7	200-255 / 380-480	1000	3.4 / 1.9
TPK 4T ** - 8	200-255 / 380-480	1110	3.6 / 2.0
TPK 4T ** -10	200-255 / 380-480	1350	4.7 / 2.6
TPK 4T ** -11	220 / 380	1400	4.4 / 2.6
TPK 4T ** -12	220 / 380	1580	5.0 / 2.9

** = Number of Stages, maximum 19 stages.



Dimensions and weights

Model	A (mm)	B (mm)	C (mm)	D (mm)	E (mm)	N.W.(kg)
TPK2T 5 - 1	480	222	258	123	99	8.7
TPK2T 3 - 3	438	180	258	123	99	8.7
TPK2T 5 - 3	480	222	258	123	99	8.9
TPK2T 8 - 3	543	285	258	123	99	9.2
TPK2T 5 - 5	490	222	268	142	111	12.1
TPK2T 8 - 5	553	285	268	142	111	12.4
TPK2T 10- 5	595	327	268	142	111	12.6
TPK2T 11- 5	616	348	268	142	111	12.7
TPK2T 8 - 8	553	285	268	142	111	13.8
TPK2T 11-11	656	348	308	142	111	14.3
TPK2T 15-12	740	432	308	142	111	14.5
TPK2T 15-15	740	432	308	142	111	15.0
TPK2T 19-15	824	516	308	142	111	15.4
TPK2T 19-17	824	516	308	142	111	15.8
TPK4T 3 - 1	438	180	258	123	99	8.4
TPK4T 3 - 3	448	180	268	142	111	11.8
TPK4T 5 - 3	490	222	268	142	111	12.0
TPK4T 8 - 3	553	285	268	142	111	12.3
TPK4T 19- 3	784	516	268	142	111	13.4
TPK4T 5 - 5	490	222	268	142	111	12.1
TPK4T 8 - 5	553	285	268	142	111	12.4
TPK4T 11- 5	616	348	268	142	111	12.7
TPK4T 15- 5	700	432	268	142	111	13.0
TPK4T 19- 7	824	516	308	142	111	14.8
TPK4T 8 - 8	593	285	308	142	111	13.8
TPK4T 15- 8	740	432	308	142	111	14.4
TPK4T 19- 8	824	516	308	142	111	14.8
TPK4T 15-10	740	432	308	142	111	14.5
TPK4T 19-10	824	516	308	142	111	14.9
TPK4T 11-11	656	348	308	142	111	14.3
TPK4T 15-12	740	432	308	142	111	14.6
TPK4T 15-15	740	432	308	142	111	15.0
TPK4T 19-15	824	516	308	142	111	15.4



TPH Series



TPHK Series



TPH-S Series



TPV Series



VLR Series



WALRUS PUMP CO., LTD.

All specifications are subject to change without notice. 004