

WWW.WZ-YUFENG.COM



温州市亚特阀门管件有限公司
(温州市宇星机电有限公司)
WENZHOU YATE VALVE PIPE-FITTING CO., LTD.

宇星·企业概述

温州市宇星轻工机械有限公司(现温州市亚特阀门管件有限公司), 该公司创建于1980年, 位于阀门之乡-温州滨海工业园区, 公司拥有40余亩标准厂房。是集研发、生产、销售阀门管件于一体的中型企业, 按照DIN、SMS、3A、ISO、IDF、RJT、AS、BS、BPE等标准专业生产卫生管件、卫生阀门、气动阀门、流体配件、等四大类产品。

我们的不锈钢蝶阀、球阀、闸阀、止回阀、管件, 弯头、三通、异径管、管帽、流体设备等, 被广泛应用于化工、石油、电力、制药、啤酒、食品、乳品饮料、化妆品及工程配套工业管路等领域。产品远销欧美、东南亚、中东等国家和地区。

专业的技术, 先进的生产设备, 高素质的员工, 是宇星产品纯正品质的基础。

公司以“不断创新、诚心服务”的企业精神, 创造出优良的产品质量、合理的价格定位、完善的客户服务, 来打造企业的核心竞争力。

先进的管理体系, 一流的质量服务, 不断提升企业自身的品质。为了适应不断拓展的市场需求, 满足客户对产品“高质量、低价位”的要求, 坚持把高质量的材料, 先进的设计, 严格的制造标准及质量保证体系紧密结合在一起, 不断完善业务的各方面及售后服务。

宇星公司愿与新老客户携手共进, 再创辉煌!



INTRODUCTION

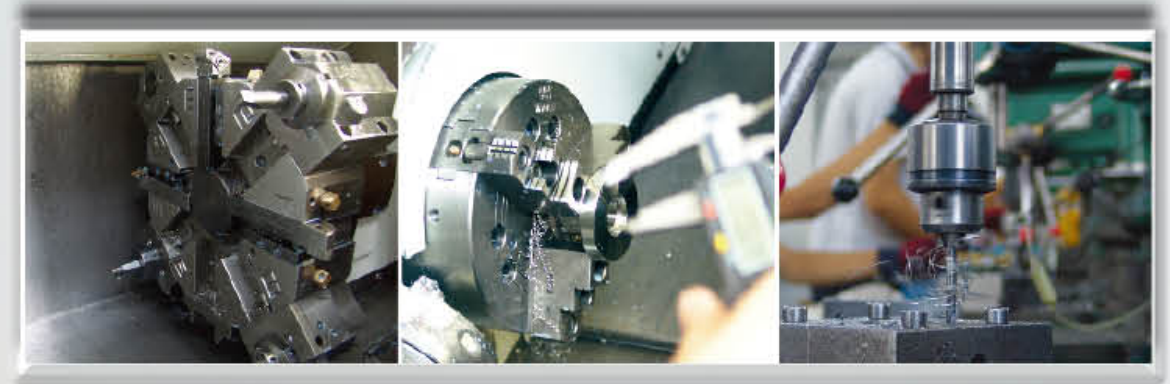
Wenzhou Yuxing Light Machinery Co.,Ltd(Wenzhou Yate Valve Pipe-Fitting Co.,Ltd) ,was established in 1980. Our company is located in the native place of valves - Wenzhou Binhai Industrial Park, occupied more than 26680 m2 standard workshop.We are a medium-sized enterprise integrating research,development, manufacture and sales of valves and pipe-fittings.We mainly produce four series of products including sanitary valves,pneumatic valves, sanitary pipe-fittings and fluid fittings according to the DIN、SMS、3A、ISO、IDF、RJT、AS、BS and BPE standards.

Our products include stainless steel butterfly valves, ball valves, gate valves, check valves, pipe-fittings, elbows, tees, reducers, caps and fluid facilities etc, are widely used in pharmacy, beer, food, petroleum, dairy beverage, cosmetic and engineering supporting industrial pipeline fields.

Professional skills, advanced production equipments and high-quality personnel are the foundations of sterling quality of Yuxing products. Adhering to the enterprise spirit of "Innovate endlessly and serve sincerely", we are working to supply excellent products with reasonable prices and complete customer services to create the kernel competition force for our enterprise.

Our company keeps improving the quality ceaselessly with advanced management systems and first-class quality services. To meet the expanding market demands, satisfy the customers' requirements of "high-quality, low-price", we insist on integrating with high-quality materials, advanced designs, strict manufacturing standards and quality assurance systems, as well as improve all aspects of the business and after-sale services continuously.

YUXING would like to be hand in hand with all our customers to build a bright future!





YUXING LIGHT MACHINERY SPECIAL-USE PRESSER

宇星·专用压机

现代化的生产设备为宇星高品质的产品奠定了基础，为了以高技术含量的产品服务客户，宇星以巨资引进更新和改良先进的生产设备及工艺。

成熟的工艺、严谨的作风和完善的质量管理体系，全面保证了宇星产品高质量。

The modernized production equipments has established the foundation for the Yuxing high-quality products, to provide the high-tech products for customers, Yuxing introduced the updated, improved and advanced production equipments and crafts by substantive capital.

Mature crafts, rigorous styles and completed quality management systems, ensure the high quality products produced by Yuxing roundly.



YUXING LIGHT MACHINERY PRODUCTS INSPECTION & TEST

宇星·产品检测

宇星配备有完善的检测试验设施，并有专业的各类技术人员。从产品开发、原料供应、生产过程管理、营销管理均严格按照国际质量管理体系标准进行规范，严格把关，以确保每一件产品都让客户满意。

Yuxing has completed inspection & test facilities and all kinds of professional technical staff. From product development, raw material supply, production process management to marketing management all standardized by the international quality management system standard, check on strictly, so as to ensure every product satisfied the customers .



YUXING LIGHT MACHINERY STORAGE

宇星·仓储

企业综合实力的体现

Embodiment of the comprehensive strength of enterprise



YUXING LIGHT MACHINERY APPLIED FIELD OF PRODUCT

宇星·产品应用领域

我们致力于啤酒、饮料、乳品、制药、化工等卫生流体配件的生产与开发。

We are devoting to production and development of the beer, beverage, dairy products and pharmacy etc. Sanitary fluid fittings.





316L
上海固卫卫生球阀
ON 1FE
OFF 200
WOG 4500PSI/310bar
1 1/4"

ON 1FE
OFF 200
WOG 4500PSI/310bar
1 1/4"

50.8

YUXING 裕兴

YUXING 裕兴
SUS304
SIS 438.1X1.5
1.65SSIS



**YUXING
SANITARY
PIPE-FITTINGS**

宇星·卫生级管件

www.wz-yuxing.com
www.wz-yufeng.com
www.wzyuxing.com.cn





**YUXING
SANITARY
PIPE-FITTINGS**
宇星·卫生级管件

www.wz-yuxing.com
www.wz-yufeng.com
www.wzyuxing.com.cn

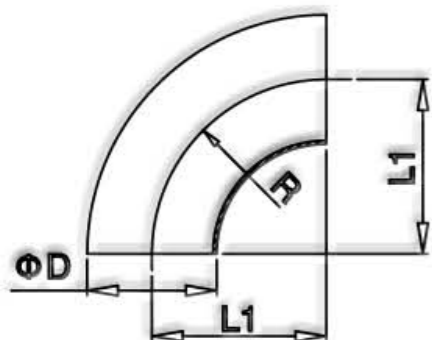


Sanitary Valve (Manual/Pneumatic)
Sanitary Pipe Fittings
Fluid Facility

DIN

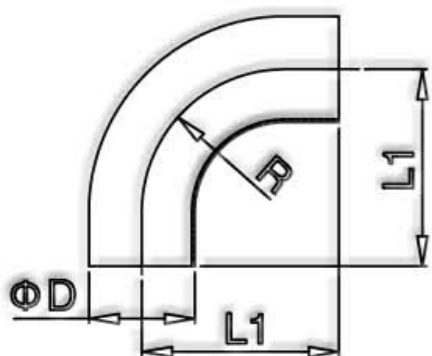
Material:304/316L

YX1011001 DIN — 90° 焊接式弯头 / 90° Welding Elbow



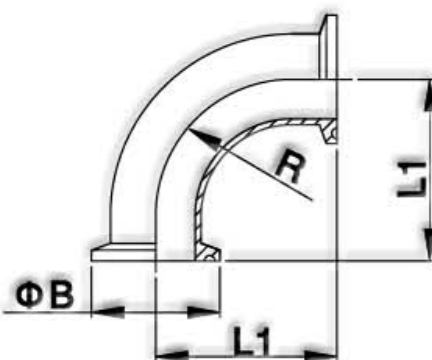
DIN	L1	D	R			Kg
10	26.0	12.0	26.0			
15	35.0	18.0	35.0			
20	40.0	22.0	40.0			
25	50.0	28.0	50.0			
32	55.0	34.0	55.0			
40	60.0	40.0	60.0			
50	70.0	52.0	70.0			
65	80.0	70.0	80.0			
80	90.0	85.0	90.0			
100	100.0	104.0	100.0			
125	187.0	129.0	187.0			
150	225.0	154.0	225.0			

YX1011002 DIN — 90° 焊接式加长弯头 / 90° Welding Long Elbow



DIN	L1	D	R			Kg
10	38.0	12.0	26.0			
15	47.0	18.0	35.0			
20	52.0	22.0	40.0			
25	70.0	28.0	50.0			
32	78.0	34.0	55.0			
40	85.0	40.0	60.0			
50	97.0	52.0	70.0			
65	110.0	70.0	80.0			
80	118.0	85.0	90.0			
100	140.0	104.0	100.0			

YX1012003 DIN — 90° 卡箍式弯头 / 90° Clamp Elbow



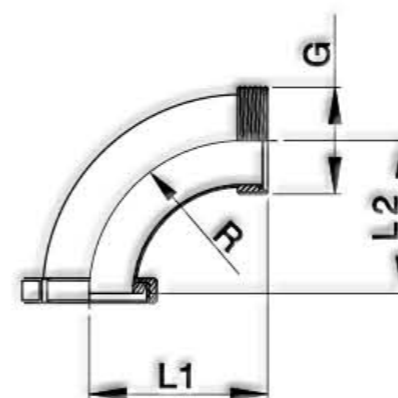
DIN	L1	B	R			Kg
15	53.0	34.0	35.0			
20	58.0	34.0	40.0			
25	71.0	50.5	50.0			
32	76.0	50.5	55.0			
40	81.5	50.5	60.0			
50	91.5	64.0	70.0			
65	108.0	91.0	80.0			
80	118.0	106.0	90.0			
100	128.0	119.0	100.0			

Sanitary Valve (Manual/Pneumatic)
Sanitary Pipe Fittings
Fluid Facility

DIN

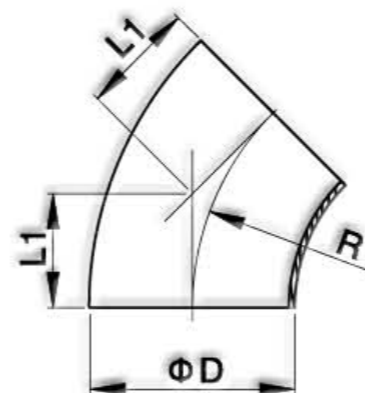
Material:304/316L

YX1013004 DIN — 90° 活接式弯头 / 90° Union-type Elbow



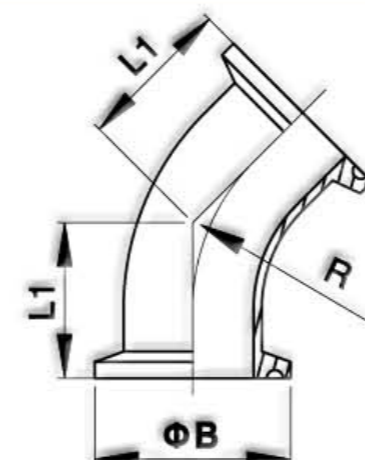
Size	L1	L2	G	R		Kg
DN20	59.0	55.0	RD44 × 1/6	40.0		
DN25	70.0	67.0	RD52 × 1/6	50.0		
DN32	75.0	72.0	RD58 × 1/6	55.0		
DN40	80.0	79.0	RD65 × 1/6	60.0		
DN50	91.0	90.0	RD78 × 1/6	70.0		
DN65	103.0	100.0	RD95 × 1/6	80.0		
DN80	115.0	113.0	RD110 × 1/4	90.0		
DN100	128.0	126.0	RD130 × 1/4	100.0		

YX1011005 DIN — 45° 焊接式弯头 / 45° Welding Elbow



DIN	L1	D	R			Kg
10	10.7	12.0	26.0			
15	14.5	18.0	35.0			
20	16.5	22.0	40.0			
25	20.7	28.0	50.0			
32	22.8	34.0	55.0			
40	24.8	40.0	60.0			
50	29.0	52.0	70.0			
65	33.2	70.0	80.0			
80	37.3	85.0	90.0			
100	41.5	104.0	100.0			
125	77.5	129.0	187.0			
150	93.2	154.0	225.0			

YX1012006 DIN — 45° 卡箍式弯头 / 45° Clamp Elbow



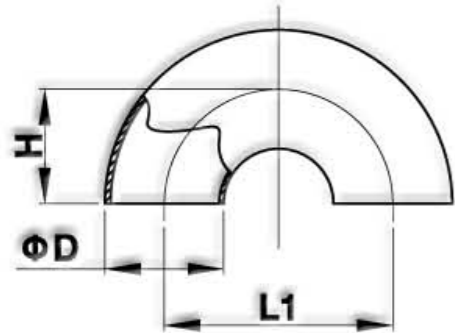
DIN	L1	B	R			Kg
20	34.5	34.0	40.0			
25	42.2	50.5	50.0			
32	44.3	50.5	55.0			
40	46.3	50.5	60.0			
50	50.5	64.0	70.0			
65	61.2	91.0	80.0			
80	65.3	106.0	90.0			
100	69.5	119.0	100.0			

Sanitary Valve (Manual/Pneumatic)
Sanitary Pipe Fittings
Fluid Facility

DIN

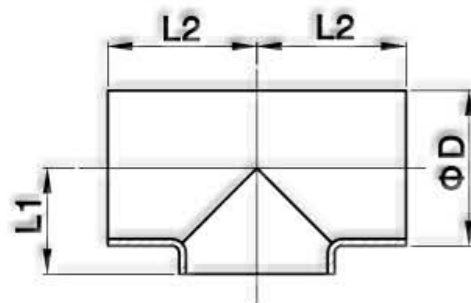
Material:304/316L

YX1011007 DIN — 180° 焊接式弯头 / 180° Welding Elbow



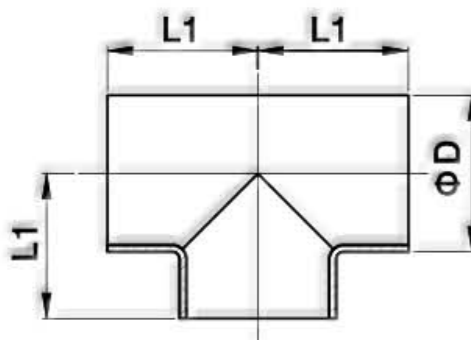
DIN	L1	D	H			Kg
10	52.0	12.0	26.0			
15	70.0	18.0	35.0			
20	80.0	22.0	40.0			
25	100.0	28.0	50.0			
32	110.0	34.0	55.0			
40	120.0	40.0	60.0			
50	140.0	52.0	70.0			
65	160.0	70.0	80.0			
80	180.0	85.0	90.0			
100	200.0	104.0	100.0			
125	375.0	129.0	187.0			
150	450.0	154.0	225.0			

YX1011008 DIN — 短型焊接式三通 / Short Welding Tee



DIN	L1	L2	D			Kg
10	7.5	26.0	12.0			
15	10.5	35.0	18.0			
20	12.5	40.0	22.0			
25	16.0	50.0	28.0			
32	19.5	55.0	34.0			
40	22.5	60.0	40.0			
50	30.0	70.0	52.0			
65	39.5	80.0	70.0			
80	47.5	90.0	85.0			
100	58.0	100.0	104.0			
125	70.5	187.0	129.0			
150	83.0	225.0	154.0			

YX1011009 DIN — 焊接式长三通 / Welding Long Tee



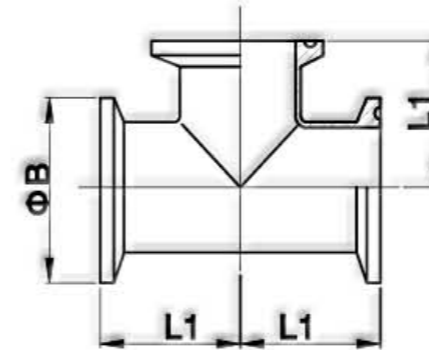
DIN	L1	D				Kg
10	26.0	12.0				
15	35.0	18.0				
20	40.0	22.0				
25	50.0	28.0				
32	55.0	34.0				
40	60.0	40.0				
50	70.0	52.0				
65	80.0	70.0				
80	90.0	85.0				
100	100.0	104.0				
125	187.0	129.0				
150	225.0	154.0				

Sanitary Valve (Manual/Pneumatic)
Sanitary Pipe Fittings
Fluid Facility

DIN

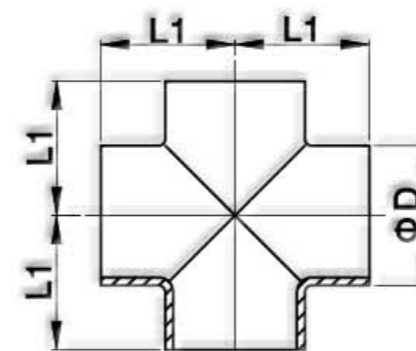
Material:304/316L

YX1012010 DIN — 卡箍式三通 / Clamp Tee



DIN	L1	B				Kg
15	53.0	34.0				
20	58.0	34.0				
25	71.5	50.5				
32	76.5	50.5				
40	81.5	50.5				
50	91.5	64.0				
65	108.0	91.0				
80	118.0	106.0				
100	128.0	119.0				

YX1011011 DIN — 焊接式四通 / Welding Cross



DIN	L1	D				Kg
25	50.0	28.0				
32	55.0	34.0				
40	60.0	40.0				
50	70.0	52.0				
65	80.0	70.0				
80	90.0	85.0				
100	100.0	104.0				

温州市宇星轻工机械有限公司

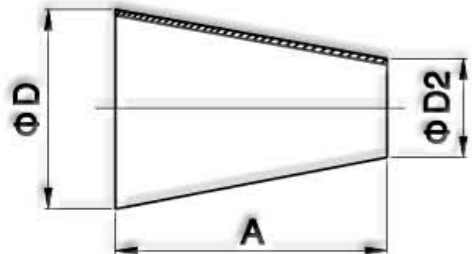
Sanitary Valve (Manual/Pneumatic)
Sanitary Pipe Fittings
Fluid Facility

DIN

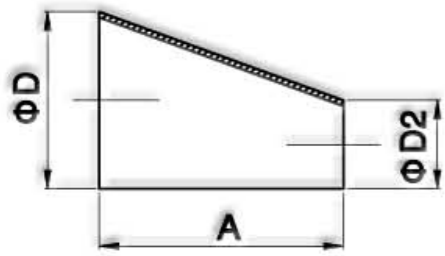
Material:304/316L

YX1011012

DIN — 焊接式大小头 / Welding Reducer



(同心 Concentric)

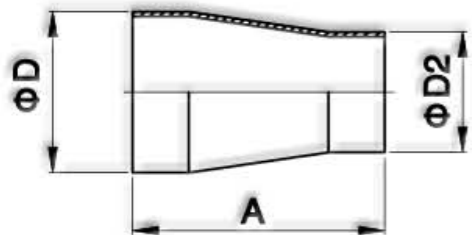


(偏心 Eccentric)

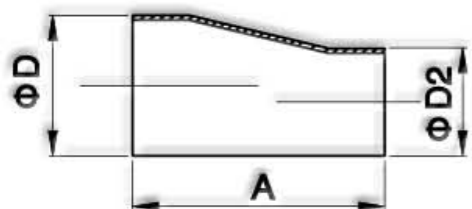
DN	A	D	D2			Kg
20/15	7.0	22.0	18.0			
25/20	11.0	28.0	22.0			
32/20	22.0	34.0	22.0			
32/25	11.0	34.0	28.0			
40/20	33.0	40.0	22.0			
40/25	22.0	40.0	28.0			
40/32	11.0	40.0	34.0			
50/25	44.0	52.0	28.0			
50/32	33.0	52.0	34.0			
50/40	22.0	52.0	40.0			
65/25	73.0	70.0	28.0			
65/32	62.0	70.0	34.0			
65/40	51.0	70.0	40.0			
65/50	29.0	70.0	52.0			
80/40	78.0	85.0	40.0			
80/50	56.0	85.0	52.0			
80/65	27.0	85.0	70.0			
100/50	90.0	104.0	52.0			
100/65	61.0	104.0	70.0			
100/80	34.0	104.0	85.0			

YX1011013

DIN — 焊接式大小头 / Welding Reducer



(同心 Concentric)



(偏心 Eccentric)

DN	A	D	D2			Kg
20/15	60.0	22.0	18.0			
25/20	60.0	28.0	22.0			
32/20	80.0	34.0	22.0			
32/25	80.0	34.0	28.0			
40/20	102.0	40.0	22.0			
40/25	102.0	40.0	28.0			
40/32	88.0	40.0	34.0			
50/25	115.0	52.0	28.0			
50/32	129.0	52.0	34.0			
50/40	113.0	52.0	40.0			
65/25	125.0	70.0	28.0			
65/32	125.0	70.0	34.0			
65/40	120.0	70.0	40.0			
65/50	130.0	70.0	52.0			
80/40	140.0	85.0	40.0			
80/50	125.0	85.0	52.0			
80/65	120.0	85.0	70.0			
100/50	160.0	104.0	52.0			
100/65	127.0	104.0	70.0			
100/80	120.0	104.0	85.0			

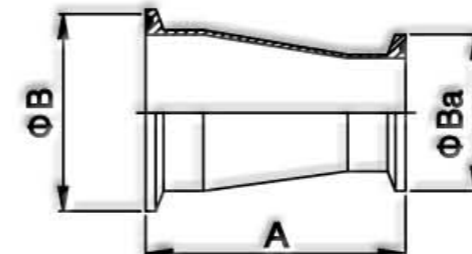
Sanitary Valve (Manual/Pneumatic)
Sanitary Pipe Fittings
Fluid Facility

DIN

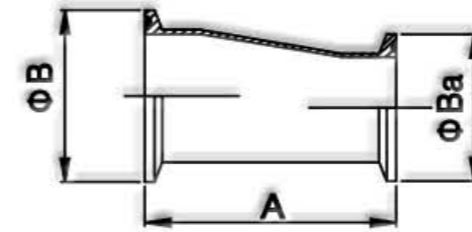
Material:304/316L

YX1012014

DIN — 卡箍式大小头 / Clamp Reducer



(同心 Concentric)

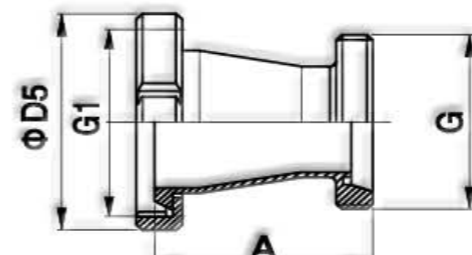


(偏心 Eccentric)

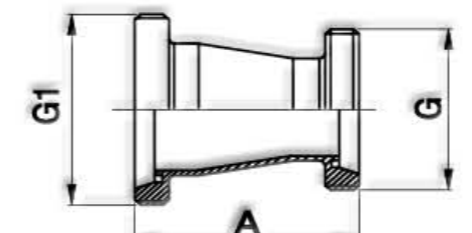
DN	A	B	B2			Kg
20/15	86.0	34.0	34.0			
25/20	86.0	50.5	34.0			
32/20	106.0	50.5	34.0			
32/25	106.0	50.5	50.5			
40/20	128.0	50.5	34.0			
40/25	128.0	50.5	50.5			
40/32	128.0	50.5	50.5			
50/25	141.0	64.0	50.5			
50/32	140.0	64.0	50.5			
50/40	141.0	64.0	50.5			
65/25	151.0	91.0	50.5			
65/32	151.0	91.0	50.5			
65/40	146.0	91.0	50.5			
65/50	146.0	91.0	64.0			
80/40	166.0	106.0	50.5			
80/50	151.0	106.0	64.0			
80/65	146.0	106.0	91.0			
100/50	192.0	119.0	64.0			
100/65	159.0	119.0	91.0			
100/80	152.0	119.0	106.0			

YX1013015

DIN — 由任式大小头 / Bevel Seat Reducer



(单螺纹单螺母 Threaded/nut)



(螺纹式 Threaded)

DN	A	G	D5	A	G1
20/15	97.0	RD34 x 1/6	54.0	96.0	RD44 x 1/6
25/20	97.0	RD44 x 1/6	63.0	96.0	RD52 x 1/6
32/20	117.0	RD44 x 1/6	70.0	119.0	RD58 x 1/6
32/25	117.0	RD52 x 1/6	70.0	120.0	RD58 x 1/6
40/20	137.0	RD44 x 1/6	78.0	141.0	RD65 x 1/6
40/25	137.0	RD52 x 1/6	78.0	142.0	RD65 x 1/6
40/32	137.0	RD58 x 1/6	78.0	128.0	RD65 x 1/6
50/25	153.0	RD52 x 1/6	92.0	156.0	RD78 x 1/6
50/32	153.0	RD58 x 1/6	92.0	170.0	RD78 x 1/6
50/40	153.0	RD65 x 1/6	92.0	154.0	RD78 x 1/6
65/25	165.0	RD52 x 1/6	110.0	168.0	RD95 x 1/6
65/32	165.0	RD58 x 1/6	110.0	168.0	RD95 x 1/6
65/40	160.0	RD65 x 1/6	110.0	163.0	RD95 x 1/6
65/50	160.0	RD78 x 1/6	110.0	174.0	RD95 x 1/6
80/40	184.0	RD65 x 1/6	125.0	185.0	RD110 x 1/4
80/50	170.0	RD78 x 1/6	125.0	171.0	RD110 x 1/4
80/65	165.0	RD95 x 1/6	125.0	168.0	RD110 x 1/4
100/50	208.0	RD78 x 1/6	146.0	209.0	RD130 x 1/4
100/65	175.0	RD95 x 1/6	146.0	178.0	RD130 x 1/4
100/80	171.0	RD110 x 1/4	146.0	173.0	RD130 x 1/4

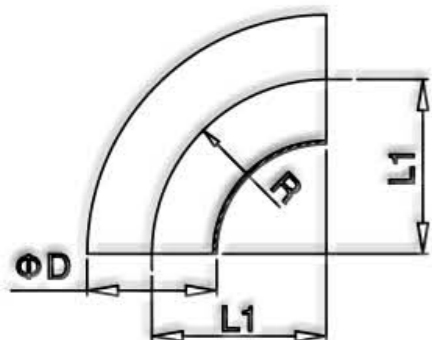
Yuxing Light Industrial Machinery

Sanitary Valve (Manual/Pneumatic)
Sanitary Pipe Fittings
Fluid Facility

SMS

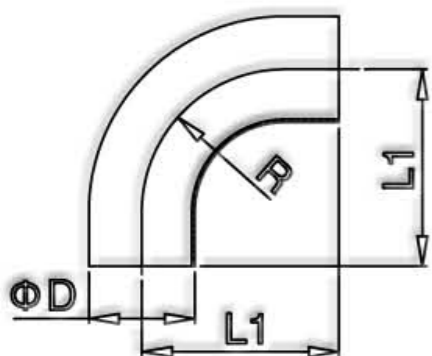
Material:304/316L

YX1021001 SMS — 90° 焊接式弯头 / 90° Welding Elbow



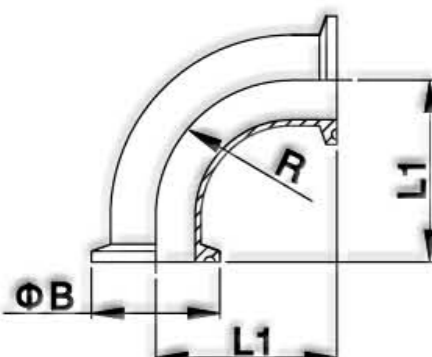
SIZE	L1	D	R			Kg
25	37.5	25.0	38.1			
38	57.0	38.0	57.2			
51	76.5	51.0	76.2			
63	95.25	63.5	95.3			
76	114.15	76.1	114.3			
104	152.1	104.0	152.4			

YX1021002 SMS — 90° 焊接式加长弯头 / 90° Welding Long Elbow



SIZE	L1	D	R			Kg
25	55.0	25.0	32.0			
38	70.0	38.0	45.0			
51	82.0	51.0	58.0			
63	105.0	63.5	70.0			
76	110.0	76.1	76.0			
104	150.0	104.0	110.0			

YX1021003 SMS — 90° 卡箍式弯头 / 90° Clamp Elbow



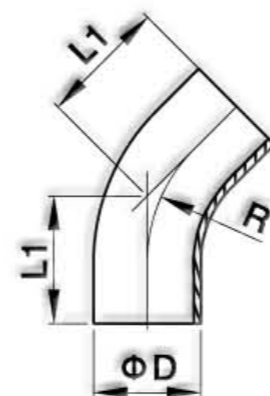
SIZE	L1	D	R			Kg
25	15.53	25.0	38.1			
38	23.61	38.0	57.2			
51	31.69	51.0	76.2			
63	39.45	63.5	95.3			
76	47.28	76.1	114.3			
104	63.0	104.0	152.4			

Sanitary Valve (Manual/Pneumatic)
Sanitary Pipe Fittings
Fluid Facility

SMS

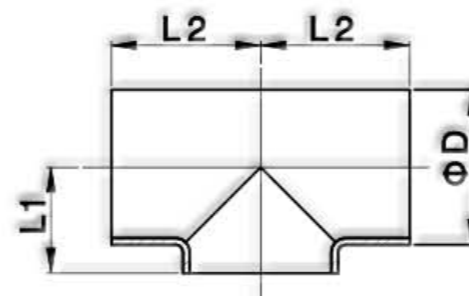
Material:304/316L

YX1021004 SMS — 45° 焊接式加长弯头 / 45° Welding Long Elbow



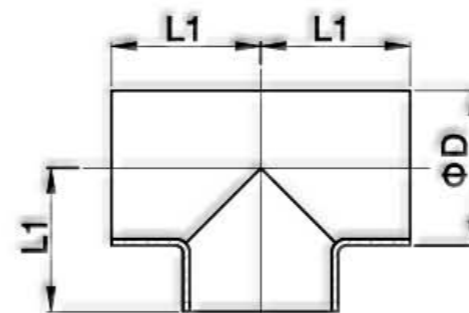
SIZE	L1	D	R			Kg
25	42.53	25.0	38.1			
38	56.61	38.0	57.2			
51	68.69	51.0	76.2			
63	78.45	63.5	95.3			
76	85.28	76.1	114.3			
104	103.0	104.0	152.4			

YX1021005 SMS — 短型焊接式三通 / Short Welding Tee



SIZE	L1	L2	D			Kg
25	14.5	55.0	25.0			
38	21.5	70.0	38.0			
51	29.5	82.0	51.0			
63	36.0	105.0	63.5			
76	43.0	110.0	76.1			
104	57.0	150.0	104.0			

YX1021006 SMS — 焊接式长三通 / Welding Long Tee



SIZE	L1	D	R			Kg
25	55.0	25				
38	70.0	38				
51	82.0	51				
63	105.0	63				
76	110.0	76				
104	150.0	104				

Tel: 0086-577-86810811 86801811

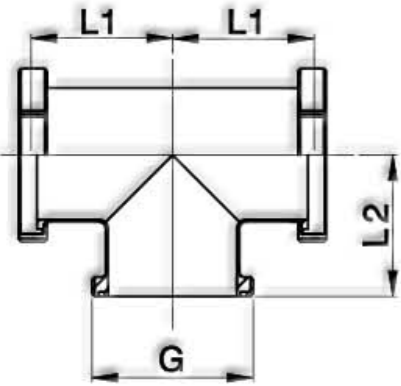
Sanitary Valve (Manual/Pneumatic)
Sanitary Pipe Fittings
Fluid Facility

SMS

Material:304/316L

YX1023007

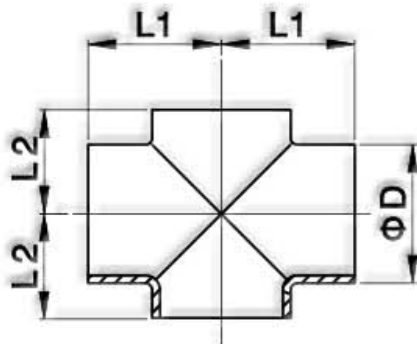
SMS — 螺纹式三通 / Threaded Tee



SIZE	L1	L2	G			Kg
25	67.0	73.0	RD40 × 1/6			
38	83.0	90.0	RD60 × 1/6			
51	95.0	102.0	RD70 × 1/6			
63	119.0	128.5	RD85 × 1/6			
76	124.0	134.5	RD98 × 1/6			
102小	167.0	177.0	RD125 × 1/6			
102大	167.0	177.0	RD132 × 1/6			

YX1021008

SMS — 焊接式四通 / Welding Cross



SIZE	L1	L2	D			Kg
25	55.0	15.0	25.4			
38	70.0	21.0	38.1			
51	82.0	29.0	50.8			
63	105.0	36.0	63.5			
76	110.0	44.0	76.2			
104	150.0	58.0	104.0			

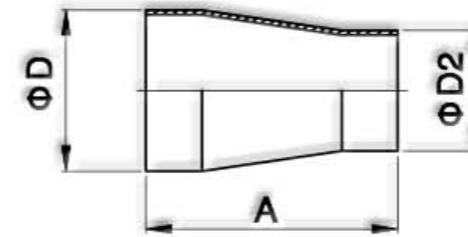
Sanitary Valve (Manual/Pneumatic)
Sanitary Pipe Fittings
Fluid Facility

SMS

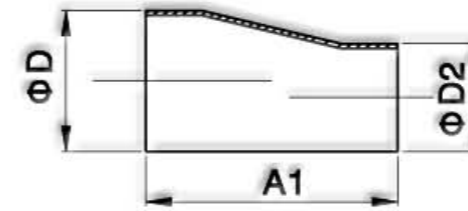
Material:304/316L

YX1021009

SMS — 焊接式大小头 / Welding Reducer



(同心 Concentric)

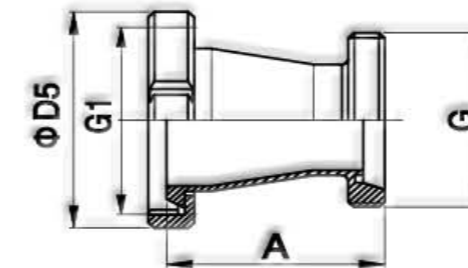


(偏心 Eccentric)

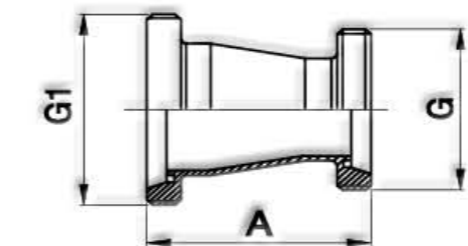
SIZE	A	A1	D	D2		Kg
1.5"/1.0"	39.0	46.0	38.1	25.4		
2.0"/1.0"	57.0	68.0	50.8	25.4		
2.0"/1.5"	39.0	47.0	50.8	38.1		
2.5"/1.5"	57.0	70.0	63.5	38.1		
2.5"/2.0"	39.0	44.0	63.5	50.8		
3.0"/1.5"	74.0	92.0	76.2	38.1		
3.0"/2.0"	57.0	68.0	76.2	20.8		
3.0"/2.5"	39.0	47.0	76.2	63.5		
4.0"/2.0"	95.0	117.0	101.6	50.8		
4.0"/2.5"	78.0	94.0	101.6	63.5		
4.0"/3.0"	60.0	74.0	101.6	76.2		

YX1023010

SMS — 由任式大小头 / Bevel Seat Reducer



(单螺纹单螺母 Threaded/nut)



(螺纹式 Threaded)

SIZE	A	G	G1	D5	Kg
1.5"/1.0"	83.0	RD40 × 1/6	RD60 × 1/6	72.0	
2.0"/1.5"	100.0	RD60 × 1/6	RD70 × 1/6	82.0	
2.0"/1.0"	100.0	RD40 × 1/6	RD70 × 1/6	82.0	
2.5"/2.0"	105.0	RD70 × 1/6	RD85 × 1/6	97.0	
2.5"/1.5"	105.0	RD60 × 1/6	RD85 × 1/6	97.0	
3.0"/2.5"	105.0	RD85 × 1/6	RD98 × 1/6	111.0	
3.0"/2.0"	105.0	RD70 × 1/6	RD98 × 1/6	111.0	
3.0"/1.5"	105.0	RD60 × 1/6	RD98 × 1/6	111.0	
4.0"/3.0"	131.0	RD98 × 1/6	RD132 × 1/6	146.0	
4.0"/2.5"	131.0	RD85 × 1/6	RD132 × 1/6	146.0	
4.0"/2.0"	131.0	RD70 × 1/6	RD132 × 1/6	146.0	

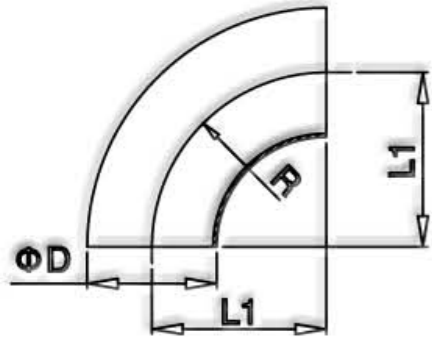
E-mail: wzyuxing@yahoo.cn

Sanitary Valve (Manual/Pneumatic)
Sanitary Pipe Fittings
Fluid Facility

3A

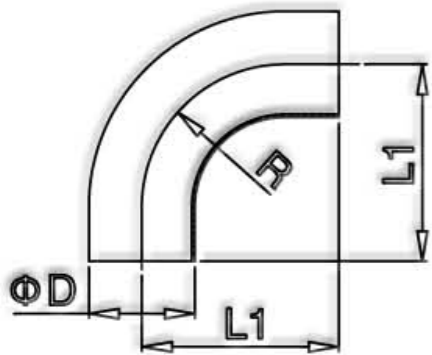
Material:304/316L

YX1031001 2WC 3A - 90° 焊接式弯头 / 90° Welding Elbow



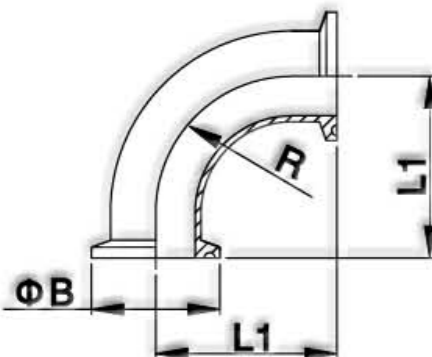
SIZE	L1	D	R		Kg
1/2"	19.05	12.7	19.05		
3/4"	28.57	19.05	28.57		
1"	38.1	25.4	38.1		
1 1/2"	57.2	38.1	57.2		
2"	76.2	50.8	76.2		
2 1/2"	95.3	63.5	95.3		
3"	114.3	76.2	114.3		
4"	152.4	101.6	152.4		
6"	228.6	152.4	228.6		

YX1031002 2S 3A - 90° 焊接式长弯头 / 90° Welding Long Elbow



SIZE	L1	D	R		Kg
1/2"	76.2	12.7	19.05		
3/4"	76.2	19.05	28.57		
1"	52.4	25.4	38.1		
1 1/2"	74.6	38.1	57.2		
2"	103.2	50.8	76.2		
2 1/2"	131.8	63.5	95.3		
3"	160.3	76.2	114.3		
4"	211.1	101.6	152.4		

YX1032003 2CMP 3A - 90° 卡箍式弯头 / 90° Clamp Elbow



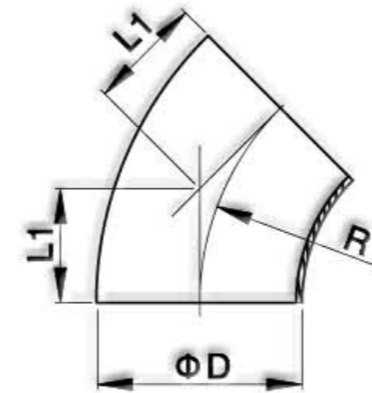
SIZE	L1	B	R		Kg
1"	50.8	50.5	38.1		
1 1/2"	69.9	50.5	57.2		
2"	88.9	64.0	76.2		
2 1/2"	107.95	71.5	95.3		
3"	127.0	91.0	114.3		
4"	168.2	119.0	152.4		

Sanitary Valve (Manual/Pneumatic)
Sanitary Pipe Fittings
Fluid Facility

3A

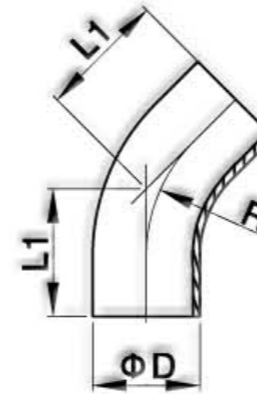
Material:304/316L

YX1031004 2KW 3A - 45° 焊接式弯头 / 45° Welding Elbow



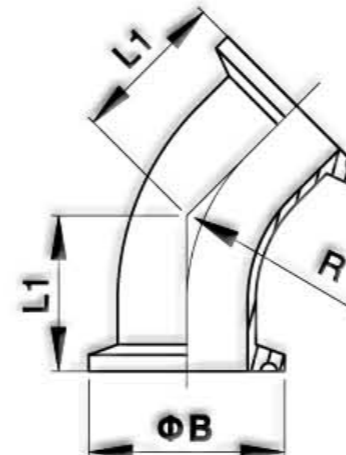
SIZE	L1	D	R		Kg
1"	15.8	25.4	38.1		
1 1/2"	23.8	38.1	57.2		
2"	31.75	50.8	76.2		
2 1/2"	39.6	63.5	95.3		
3"	47.6	76.2	114.3		
4"	63.5	101.6	152.4		
6"	94.7	152.4	228.6		

YX1031005 2KS 3A - 45° 焊接式长弯头 / 45° Welding Long



SIZE	L1	D	R		Kg
1"	30.2	25.4	38.1		
1 1/2"	41.3	38.1	57.2		
2"	58.7	50.8	76.2		
2 1/2"	76.2	63.5	95.3		
3"	93.7	76.2	114.3		
4"	122.2	101.6	152.4		

YX1032006 2KMP 3A - 45° 卡箍式弯头 / 45° Clamp Elbow



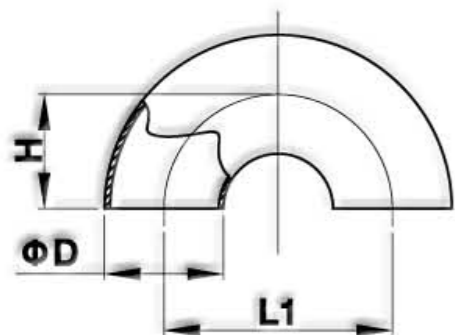
SIZE	L1	B	R		Kg
1"	28.5	50.5	38.1		
1 1/2"	36.5	50.5	57.2		
2"	44.45	64.0	76.2		
2 1/2"	52.3	77.5	95.3		
3"	60.3	91.0	114.3		
4"	76.2	119.0	152.4		

Http://www.wz-yufeng.com

Sanitary Valve (Manual/Pneumatic)
Sanitary Pipe Fittings
Fluid Facility

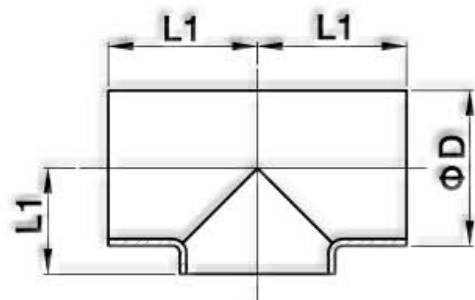
3A
Material:304/316L

YX1031007 3A - 180° 焊接式弯头 / 180° Welding Elbow



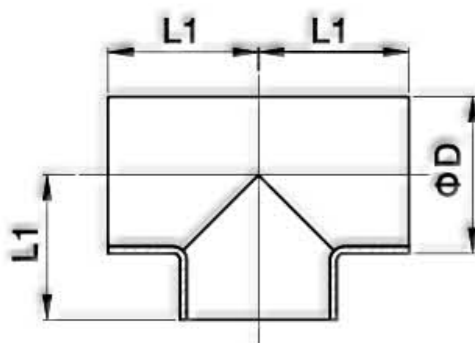
SIZE	L1	D	H			Kg
1"	76.2	25.4	38.1			
1 1/2"	114.3	38.1	57.2			
2"	152.4	50.8	76.2			
2 1/2"	190.5	63.5	95.3			
3"	228.6	76.2	114.3			
4"	304.8	101.6	152.4			

YX1031008 7W 3A — 短型焊接式三通 / Short Welding Tee



SIZE	L1	D				Kg
1"	28.6	25.4				
1 1/2"	42.05	38.1				
2"	52.35	50.8				
2 1/2"	59.55	63.5				
3"	65.9	76.2				
4"	87.35	101.6				

YX1032009 7WWW 3A — 焊接式长三通 / Welding Long Tee

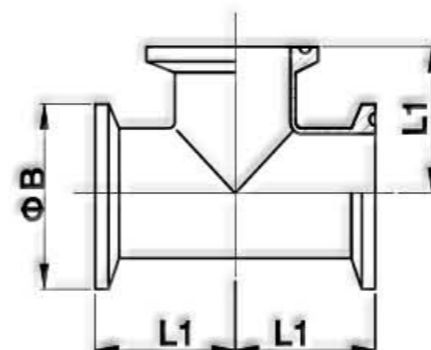


SIZE	L1	D				Kg
1"	47.6	25.4				
1 1/2"	57.2	38.1				
2"	76.2	50.8				
2 1/2"	76.2	63.5				
3"	82.6	76.2				
4"	98.4	101.6				

Sanitary Valve (Manual/Pneumatic)
Sanitary Pipe Fittings
Fluid Facility

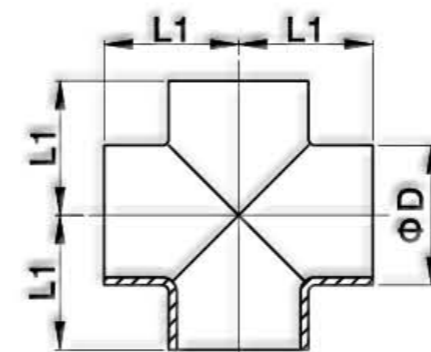
3A
Material:304/316L

YX1032010 7MPS 3A — 卡箍式长三通 / Clamp Long Tee



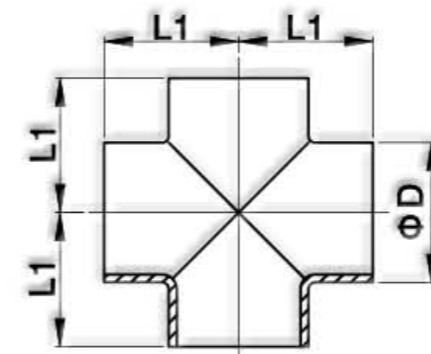
SIZE	L1	B				Kg
1"	60.3	50.5				
1 1/2"	69.9	50.5				
2"	88.9	64.0				
2 1/2"	88.9	77.5				
3"	95.3	91.0				
4"	114.2	119.0				

YX1031011 9W 3A — 焊接式短型四通 / Welding Short Cross



SIZE	L1	D				Kg
1"	47.6	25.4				
1 1/2"	57.2	38.1				
2"	76.2	50.8				
2 1/2"	76.2	63.5				
3"	82.6	76.2				
4"	98.4	101.6				

YX1031012 9WWW 3A — 焊接式长型四通 / Welding Long Cross



SIZE	L1	D				Kg
1"	28.6	25.4				
1 1/2"	42.1	38.1				
2"	52.4	50.8				
2 1/2"	54.5	63.5				
3"	65.9	76.2				
4"	87.3	101.6				

温州市宇星轻工机械有限公司

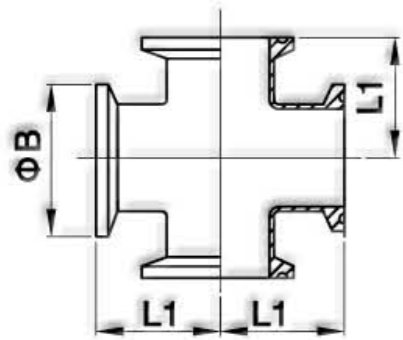
Sanitary Valve (Manual/Pneumatic)
Sanitary Pipe Fittings
Fluid Facility

3A

Material:304/316L

YX1032013

9MP 3A - 卡箍式四通 / Clamp Cross



SIZE	L1	B				Kg
1"	60.3	50.5				
1 1/2"	69.9	50.5				
2"	89.9	64.0				
2 1/2"	89.9	91.0				
3"	95.3	106.0				
4"	114.3	119.0				

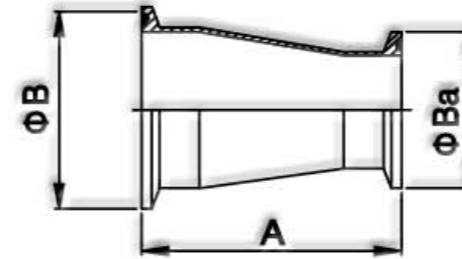
Sanitary Valve (Manual/Pneumatic)
Sanitary Pipe Fittings
Fluid Facility

3A

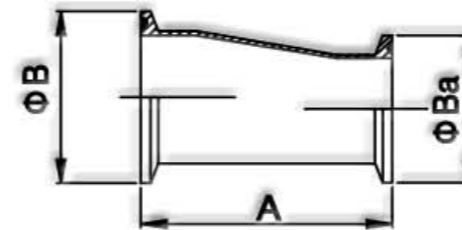
Material:304/316L

YX1031015

3A - 卡箍式大小头 / Clamp Reducer



31-14MP (同心 Concentric)

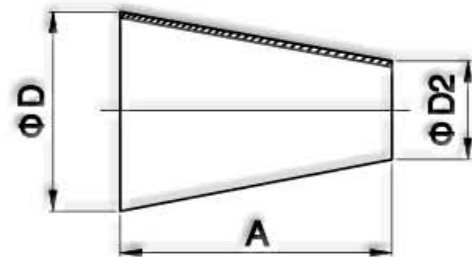


32-14MP (偏心 Eccentric)

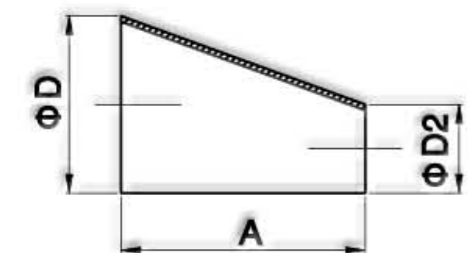
SIZE	A	B	Ba			Kg
1.1/2" / 1"	76.2	50.5	50.5			
2" / 1"	127.0	64.0	50.5			
2" / 1.1/2"	76.2	64.0	50.5			
2.1/2" / 1.1/2"	127.0	77.5	50.5			
2.1/2" / 2"	76.2	77.5	64.0			
3" / 1.1/2"	177.8	91.0	50.5			
3" / 2"	127.0	91.0	64.0			
3" / 2.1/2"	76.2	91.0	77.5			
4" / 2"	231.8	119.0	64.0			
4" / 2.1/2"	181.0	119.0	77.5			
4" / 3"	130.2	119.0	91.0			
6" / 4"	189.8	167.0	119.0			

YX1031014

3A - 焊接式大小头 / Welding Reducer



31W (同心 Concentric)



32W (偏心 Eccentric)

SIZE	A	D	D2			Kg
1.1/2" / 1"	50.8	38.1	25.4			
2" / 1"	101.6	50.8	25.4			
2" / 1.1/2"	50.8	50.8	38.1			
2.1/2" / 1.1/2"	101.6	63.5	38.1			
2.1/2" / 2"	50.8	76.2	50.8			
3" / 1.1/2"	152.4	76.2	38.1			
3" / 2"	101.6	76.2	50.8			
3" / 2.1/2"	50.8	101.6	63.5			
4" / 2"	203.2	101.6	50.8			
4" / 2.1/2"	152.4	101.6	63.5			
4" / 3"	101.6	152.4	76.2			
6" / 3"	140.0	152.4	76.2			
6" / 4"	140.0	152.4	101.6			

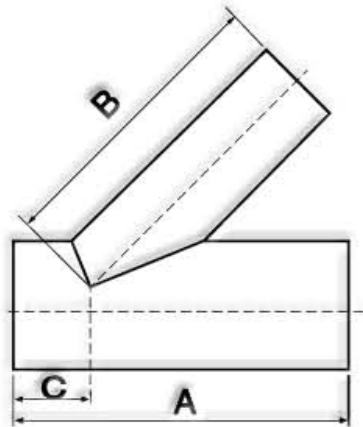
Sanitary Valve (Manual/Pneumatic)
Sanitary Pipe Fittings
Fluid Facility

3A

Material:304/316L

YX1031016

28WA 3A — 焊接式横向Y型三通 / LATERAL Y



Size	A	B	C			Kg
1/2"	152.4	127.0	25.4			
3/4"	152.4	127.0	25.4			
1"	152.4	127.0	25.4			
1.5"	187.3	173.1	30.2			
2"	222.2	180.9	41.3			
2.5"	254.0	215.9	38.1			
3"	273.1	225.4	47.6			
4"	325.5	273.1	52.4			
6"	419.1	317.5	101.6			

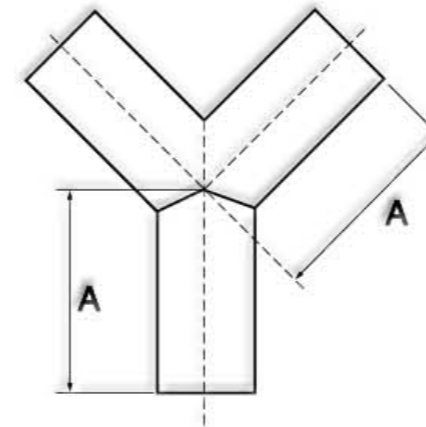
Sanitary Valve (Manual/Pneumatic)
Sanitary Pipe Fittings
Fluid Facility

3A

Material:304/316L

YX1031018

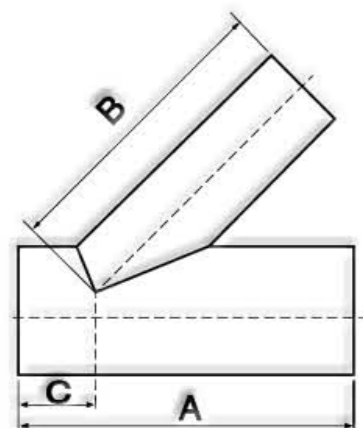
28BW 3A – 焊接式“Y”型三通 / Weld True Y



Size	A					Kg
1/2"	50.8					
3/4"	50.8					
1"	76.2					
1.5"	76.2					
2"	101.6					
2.5"	127.0					
3"	152.4					
4"	203.2					
6"	203.2					

YX1031017

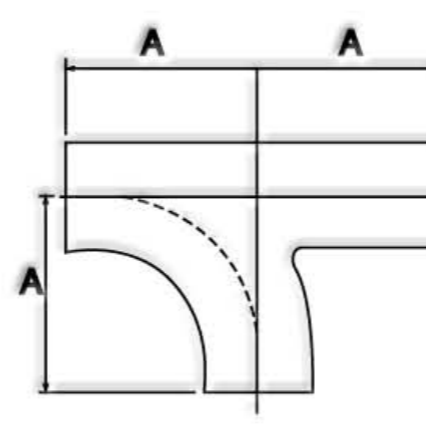
28BA 3A – 焊接式横向Y型异径三通 / Reducing Lateral Y



Size	A	B	C			Kg
1.5" x 1"	187.3	157.2	30.2			
2" x 1"	222.2	181.0	41.3			
2" x 1.5"	222.2	181.0	38.1			
2.5" x 1"	254.0	215.9	38.1			
2.5" x 1.5"	254.0	215.9	38.1			
2.5" x 2"	254.0	215.9	38.1			
3" x 1"	273.1	225.4	47.6			
3" x 1.5"	273.1	225.4	47.6			
3" x 2"	273.1	225.4	47.6			
3" x 2.5"	273.1	225.4	47.6			
4" x 1"	325.5	273.1	52.4			
4" x 1.5"	325.5	273.1	52.4			
4" x 2"	274.7	273.1	52.4			
4" x 2.5"	325.5	273.1	52.4			
4" x 3"	325.5	273.1	52.4			

YX1031019

对焊“Y”型三通 Butt weld Y-type Tee — 3A



Size	A					Kg
1"	65.0					
1.5"	85.0					
2"	110.0					
2.5"	135.0					
3"	155.0					
4"	195.0					

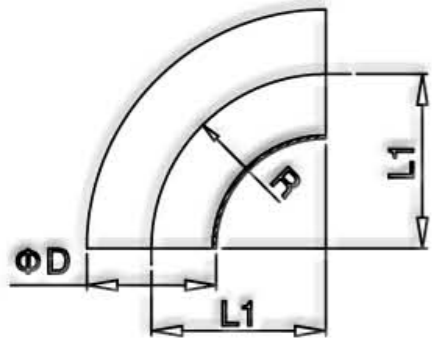
Tel: 0086-577-86810811 86801811

Sanitary Valve (Manual/Pneumatic)
Sanitary Pipe Fittings
Fluid Facility

ISO/IDF

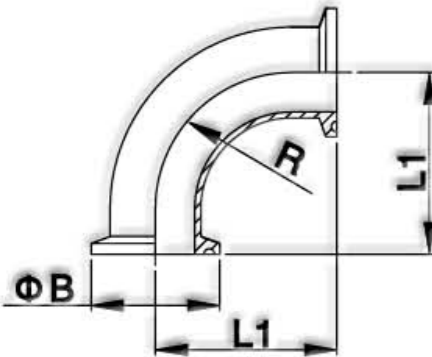
Material:304/316L

YX1041001 焊接式弯头(90°) Welded Elbow — ISO/IDF



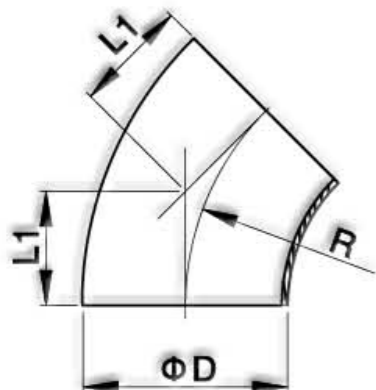
Size	L1	D	R			Kg
1"	33.5	25.4	33.5			
1 1/4"	38.0	32.0	38.0			
1 1/2"	48.5	38.1	48.0			
2"	60.5	50.8	60.5			
2 1/2"	83.5	63.5	83.5			
3"	88.5	76.2	88.5			
3 1/2"	103.5	89.0	103.5			
4"	127.0	101.6	127.0			
4 1/2"	152.4	114.3	152.4			
5"	190.5	127.0	190.5			
6"	228.6	152.4	228.6			

YX1042002 卡箍式弯头(90°) Clamped Elbow — ISO/IDF



Size	L1	B	R			Kg
Φ25	55.0	50.5	33.5			
Φ32	59.5	50.5	38.0			
Φ38	70.0	50.5	48.5			
Φ51	82.0	64.0	60.5			
Φ63	105.0	77.5	83.5			
Φ76	110.0	91.0	88.5			
Φ89	125.0	106.0	103.5			
Φ102	148.5	119.0	127.0			

YX1041003 焊接式弯头(45°) Welded Elbow — ISO/IDF



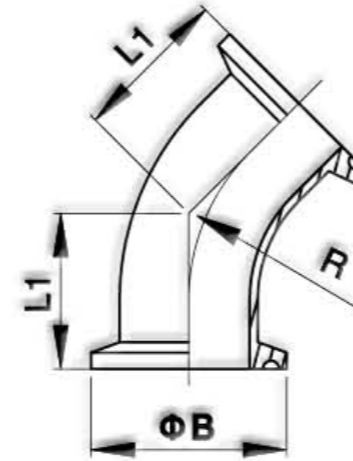
Size	L1	D	R			Kg
1"	13.9	25.4	33.5			
1 1/4"	15.7	32.0	38.0			
1 1/2"	20.1	38.1	48.5			
2"	25.1	50.8	60.5			
2 1/2"	34.6	63.5	83.5			
3"	36.7	76.2	88.5			
3 1/2"	42.9	89.0	103.5			
4"	52.6	101.6	127.0			

Sanitary Valve (Manual/Pneumatic)
Sanitary Pipe Fittings
Fluid Facility

ISO/IDF

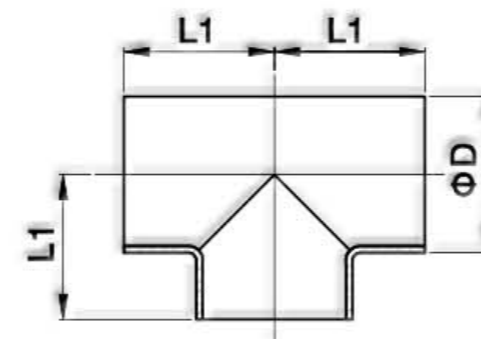
Material:304/316L

YX1042004 卡箍式弯头(45°) Clamped Elbow — ISO/IDF



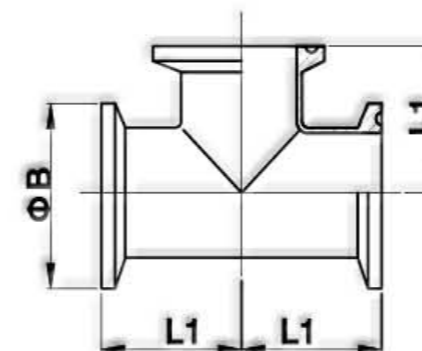
Size	L1	B	R			Kg
Φ25	35.4	50.5	33.5			
Φ32	37.2	50.5	38.0			
Φ38	41.6	50.5	48.5			
Φ51	46.6	64.0	60.5			
Φ63	56.1	77.5	83.5			
Φ76	58.2	91.0	88.5			
Φ89	64.4	106.0	103.5			
Φ102	80.5	119.0	127.0			

YX1041005 焊接式三通 Welded Tee — ISO/IDF



Size	L1	D				Kg
1"	33.5	25.4				
1 1/4"	38.0	32.0				
1 1/2"	48.5	38.1				
2"	60.5	50.8				
2 1/2"	83.5	63.5				
3"	88.5	76.2				
3 1/2"	103.5	89.0				
4"	127.0	101.6				
4 1/2"	152.4	114.3				
5"	190.5	127.0				
6"	228.6	152.4				

YX1042006 卡箍式三通 Clamped Tee — ISO/IDF



Size	L1	B				Kg
1"	55.0	55.0				
1 1/4"	59.5	59.5				
1 1/2"	70.0	70.0				
2"	82.0	82.0				
2 1/2"	105.0	105.0				
3"	110.0	110.0				
3 1/2"	125.0	125.0				
4"	148.5	148.5				

E-mail: wzyyuxing@yahoo.cn

Sanitary Valve (Manual/Pneumatic)
Sanitary Pipe Fittings
Fluid Facility

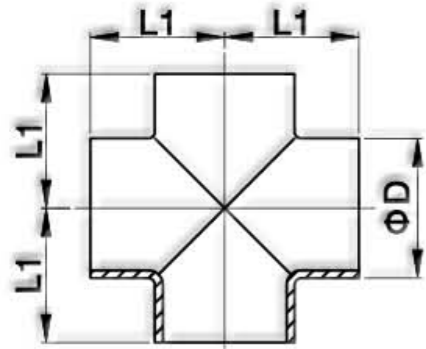
ISO/IDF
Material:304/316L

Sanitary Valve (Manual/Pneumatic)
Sanitary Pipe Fittings
Fluid Facility

ISO/IDF
Material:304/316L

YX1041007

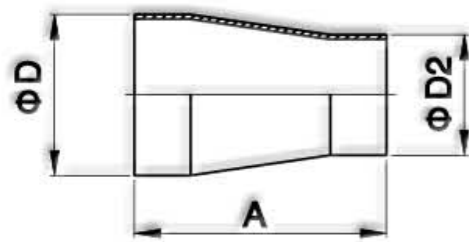
焊接式四通 Welded Cross — ISO/IDF



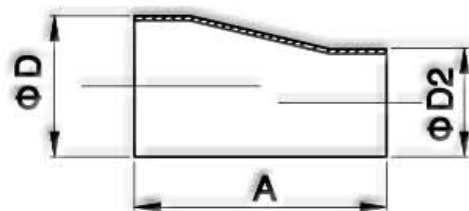
Size	L1	D				Kg
1"	33.5	25.4				
1 1/4"	38.0	32.0				
1 1/2"	48.5	38.1				
2"	60.5	50.8				
2 1/2"	83.5	63.5				
3"	88.5	76.2				
3 1/2"	103.5	89.0				
4"	127.0	101.6				

YX1041008

焊接式大小头 Welded Reducer — ISO/IDF



(同心 Concentric)

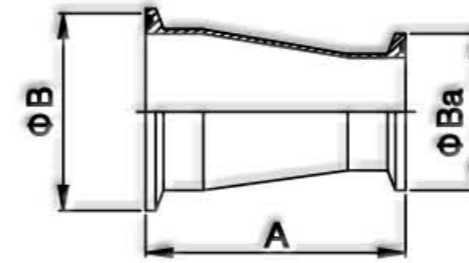


(偏心 Eccentric)

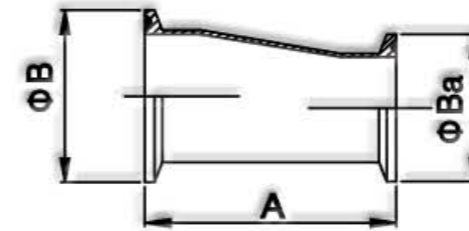
Size	A	D	D2			Kg
1.0"/0.75"	38.0	25.4	9.05			
1.25"/1.0"	50.0	31.8	25.4			
1.5"/1.25"	50.0	38.1	31.8			
1.5"/1.0"	50.0	38.1	25.4			
2.0"/1.5"	67.0	50.8	38.1			
2.0"/1.25"	67.0	50.8	31.8			
2.0"/1.0"	67.0	50.8	25.4			
2.5"/2.0"	67.0	63.5	50.8			
2.5"/1.5"	67.0	63.5	38.1			
2.5"/1.0"	67.0	63.5	25.4			
3.0"/2.5"	67.0	76.2	63.5			
3.0"/2.0"	67.0	76.2	50.8			
3.0"/1.5"	67.0	76.2	38.1			
3.5"/3.0"	67.0	88.9	76.2			
3.5"/2.5"	67.0	88.9	63.5			
3.5"/2.0"	67.0	88.9	50.8			
4.0"/3.5"	87.0	101.6	88.9			
4.0"/3.0"	87.0	101.6	76.2			
4.0"/2.5"	87.0	101.6	63.5			
4.0"/2.0"	87.0	101.6	50.8			

YX1042009

卡箍式大小头 Clamped Reducer — ISO/IDF



(同心 Concentric)



(偏心 Eccentric)

Size	A	B	Ba			Kg
1.0"/0.75"	64.0	50.5	34.0			
1.25"/1.0"	76.0	50.5	50.5			
1.5"/1.25"	76.0	50.5	50.5			
1.5"/1.0"	76.0	50.5	50.5			
2.0"/1.5"	93.0	64.0	50.5			
2.0"/1.25"	93.0	64.0	50.5			
2.0"/1.0"	93.0	64.0	50.5			
2.5"/2.0"	93.0	77.5	64.0			
2.5"/1.5"	93.0	77.5	50.5			
2.5"/1.0"	93.0	77.5	50.5			
3.0"/2.5"	93.0	91.0	77.5			
3.0"/2.0"	93.0	91.0	64.0			
3.0"/1.5"	93.0	91.0	50.5			
3.5"/3.0"	93.0	106.0	91.0			
3.5"/2.5"	93.0	106.0	77.5			
3.5"/2.0"	93.0	106.0	64.0			
4.0"/3.5"	118.0	119.0	106.0			
4.0"/3.0"	118.0	119.0	91.0			
4.0"/2.5"	118.0	119.0	77.5			
4.0"/2.0"	118.0	119.0	64.0			

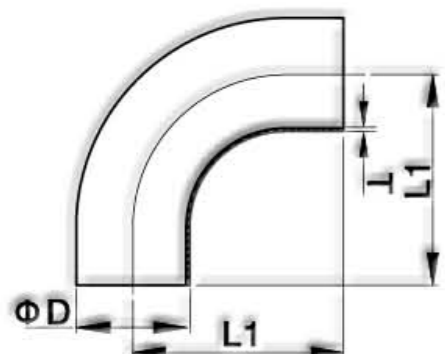
Http://www.wz-yufeng.com

Sanitary Valve (Manual/Pneumatic)
Sanitary Pipe Fittings
Fluid Facility

AS

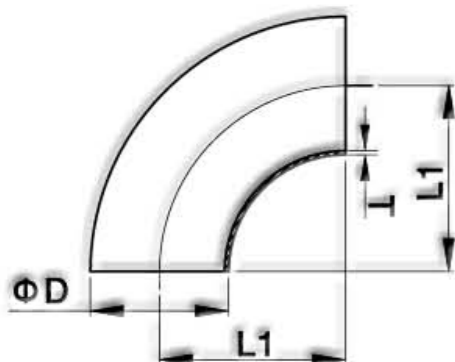
Material:304/316L

YX1061001 加直端焊接式弯头(90°) Welded Elbow with straight ends — AS



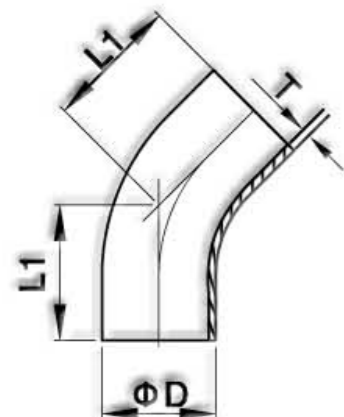
Size	L1	D	T			Kg
1/2"	49.1	12.7	1.6			
3/4"	58.6	19.1	1.6			
1"	68.1	25.4	1.6			
1 1/4"	77.7	31.8	1.6			
1 1/2"	87.0	38.1	1.6			
2"	106.2	50.8	1.6			
2 1/2"	125.0	63.5	1.6			
3"	144.2	76.2	1.6			
4"	182.4	101.6	2.0			

YX1061002 焊接式弯头(90°) Welded Elbow — AS



Size	L1	D	T			Kg
1/2"	19.1	12.7	1.6			
3/4"	28.6	19.1	1.6			
1"	38.1	25.4	1.6			
1 1/4"	47.7	31.8	1.6			
1 1/2"	57.0	38.1	1.6			
2"	76.2	50.8	1.6			
2 1/2"	95.0	63.5	1.6			
3"	114.2	76.2	1.6			
4"	152.4	101.6	2.0			

YX1061003 长型焊接式弯头(45°) Long-type welded Elbow — AS



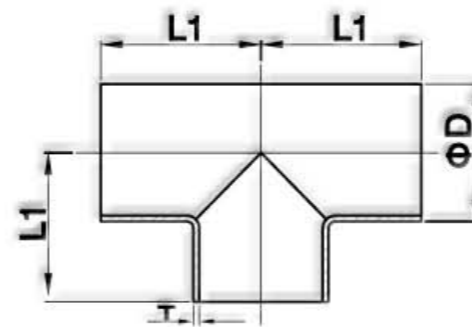
Size	L1	D	T			Kg
1/2"	30	12.7	1.6			
3/4"	30	19.1	1.6			
1"	30	25.4	1.6			
1 1/4"	30	31.8	1.6			
1 1/2"	30	38.1	1.6			
2"	30	50.8	1.6			
2 1/2"	30	63.5	1.6			
3"	30	76.2	1.6			
4"	30	101.6	2.0			

Sanitary Valve (Manual/Pneumatic)
Sanitary Pipe Fittings
Fluid Facility

AS

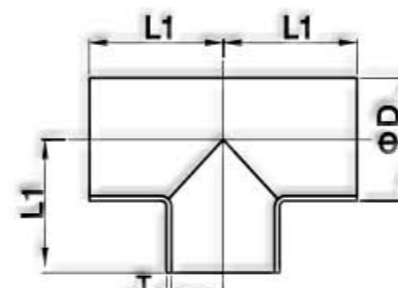
Material:304/316L

YX1061004 长型焊接三通 Long-type welded Tee — AS



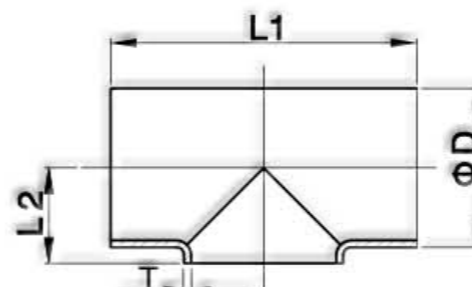
Size	L1	D	T			Kg
1/2"	49.1	12.7	1.6			
3/4"	58.6	19.1	1.6			
1"	68.1	25.4	1.6			
1 1/4"	77.7	31.8	1.6			
1 1/2"	87.0	38.1	1.6			
2"	106.2	50.8	1.6			
2 1/2"	125.0	63.5	1.6			
3"	144.2	76.2	1.6			
4"	182.4	101.6	2.0			

YX1061005 短型焊接式三通 Short-type welded Tee — AS



Size	L1	D	T			Kg
1/2"	19.1	12.7	1.6			
3/4"	28.6	19.1	1.6			
1"	38.1	25.4	1.6			
1 1/4"	47.7	31.8	1.6			
1 1/2"	57.0	38.1	1.6			
2"	76.2	50.8	1.6			
2 1/2"	95.0	63.5	1.6			
3"	114.2	76.2	1.6			
4"	152.4	101.6	2.0			

YX1061006 平口焊接式三通 Equal welded Tee — AS



Size	L1	L2	D	T		Kg
1/2"	38.2	9.35	12.7	1.6		
3/4"	57.2	12.55	19.1	1.6		
1"	76.2	15.7	25.4	1.6		
1 1/4"	95.4	18.9	31.8	1.6		
1 1/2"	114.0	22.05	38.1	1.6		
2"	152.4	28.4	50.8	1.6		
2 1/2"	190.0	34.75	63.5	1.6		
3"	228.4	41.1	76.2	1.6		
4"	304.8	53.8	101.6	2.0		

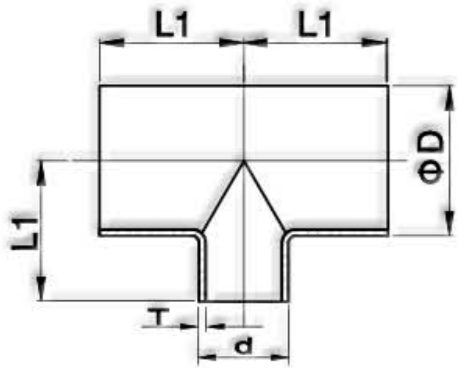
温州市宇星轻工机械有限公司

Sanitary Valve (Manual/Pneumatic)
Sanitary Pipe Fittings
Fluid Facility

AS

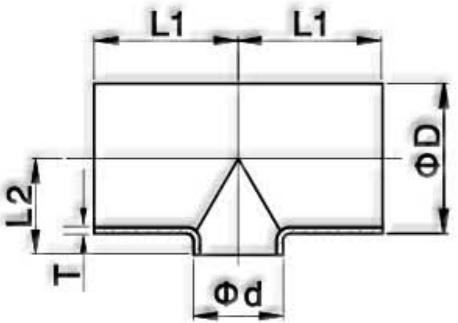
Material:304/316L

YX1061007 变径焊接式三通 Reducing welded Tee — AS



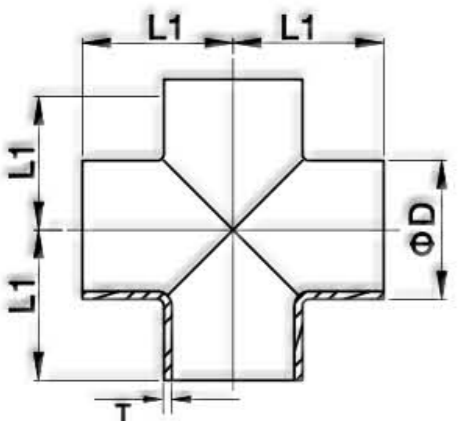
Size	L1	D	d	T	Kg
1.5" x 1"	80	38.1	25.4	1.6	
2" x 1"	80	50.8	25.4	1.6	
2" x 1.5"	80	50.8	38.1	1.6	
2.5" x 1.5"	80	63.5	38.1	1.6	
2.5" x 2"	80	63.5	50.8	1.6	
3" x 1.5"	80	76.2	38.1	1.6	
3" x 2"	80	76.2	50.8	1.6	
3" x 2.5"	80	76.2	63.5	1.6	
4" x 2"	80	101.6	50.8	2.0	
4" x 2.5"	80	101.6	63.5	2.0	
4" x 3"	80	101.6	76.2	2.0	

YX1061008 平口变径焊接式三通 Equal reducing welded Tee — AS



Size	L1	L2	D	d	T	Kg
1.5" x 1"	80	22.05	38.1	25.4	1.6	
2" x 1"	80	28.4	50.8	25.4	1.6	
2" x 1.5"	80	28.4	50.8	38.1	1.6	
2.5" x 1.5"	80	34.75	63.5	38.1	1.6	
2.5" x 2"	80	34.75	63.5	50.8	1.6	
3" x 1.5"	80	41.1	76.2	38.1	1.6	
3" x 2"	80	41.1	76.2	50.8	1.6	
3" x 2.5"	80	41.1	76.2	63.5	1.6	
4" x 2"	80	53.8	101.6	50.8	2.0	
4" x 2.5"	80	53.8	101.6	63.5	2.0	
4" x 3"	80	53.8	101.6	76.2	2.0	

YX1061009 长型焊接式四通 Long-type welded Cross — AS



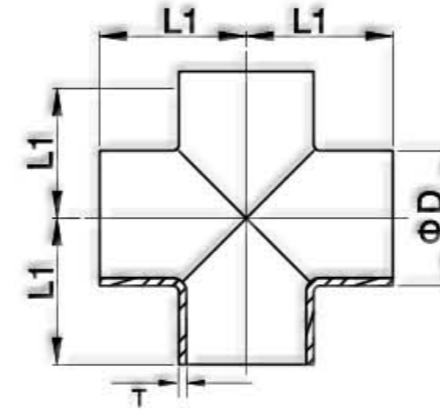
Size	L1	D	T	Kg
1/2"	49.1	12.7	1.6	
3/4"	58.6	19.1	1.6	
1"	68.1	25.4	1.6	
1 1/4"	77.7	31.8	1.6	
1 1/2"	87.0	38.1	1.6	
2"	106.2	50.8	1.6	
2 1/2"	125.0	63.5	1.6	
3"	144.2	76.2	1.6	
4"	182.4	101.6	2.0	

Sanitary Valve (Manual/Pneumatic)
Sanitary Pipe Fittings
Fluid Facility

AS

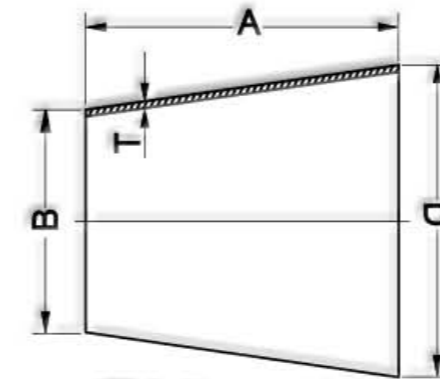
Material:304/316L

YX1061010 短型焊接式四通 Short-type welded Cross — AS

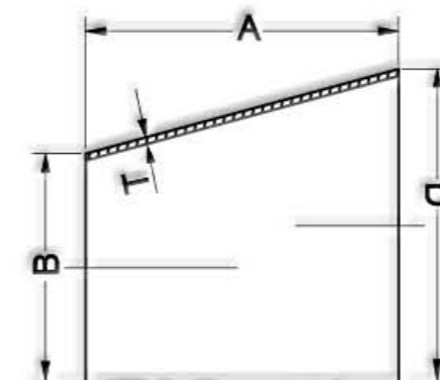


Size	L1	D	T	Kg
1/2"	19.1	12.7	1.6	
3/4"	28.6	19.1	1.6	
1"	38.1	25.4	1.6	
1 1/4"	47.7	31.8	1.6	
1 1/2"	57.0	38.1	1.6	
2"	76.2	50.8	1.6	
2 1/2"	95.0	63.5	1.6	
3"	114.2	76.2	1.6	
4"	152.4	101.6	2.0	

YX1061011 焊接式大小头 Welded Reducer — AS



(同心 Concentric)



(偏心 Eccentric)

Size	A	B	D	T	Kg
3/4" x 1/2"	19.1	12.7	19.1	1.6	
1.0" x 1/2"	25.4	12.7	25.4	1.6	
1.0" x 3/4"	25.4	19.1	25.4	1.6	
1.25" x 3/4"	31.8	19.1	31.8	1.6	
1.25" x 1.0"	31.8	25.4	31.8	1.6	
1.5" x 3/4"	38.1	19.1	38.1	1.6	
1.5" x 1.0"	38.1	25.4	38.1	1.6	
2.0" x 1/2"	50.8	12.7	50.8	1.6	
2.0" x 3/4"	50.8	19.1	50.8	1.6	
2.0" x 1.0"	50.8	25.4	50.8	1.6	
2" x 1 1/4"	50.8	31.8	50.8	1.6	
2.0" x 1.5"	50.8	38.1	50.8	1.6	
2.5" x 1.0"	63.5	25.4	63.5	1.6	
2.5" x 1.25"	63.5	31.8	63.5	1.6	
2.5" x 1.5"	63.5	38.1	63.5	1.6	
2.5" x 2.0"	63.5	50.8	63.5	1.6	
3.0" x 1.0"	76.2	25.4	76.2	1.6	
3" x 1.25"	76.2	31.8	76.2	1.6	
3.0" x 1.5"	76.2	38.1	76.2	1.6	
3.0" x 2.0"	76.2	50.8	76.2	1.6	
3.0" x 2.5"	76.2	63.5	76.2	1.6	
4.0" x 1.0"	101.6	25.4	101.6	2.0	
4" x 1.25"	101.6	31.8	101.6	2.0	
4.0" x 1.5"	101.6	38.1	101.6	2.0	
4.0" x 2.0"	101.6	50.8	101.6	2.0	
4.0" x 2.5"	101.6	63.5	101.6	2.0	
4.0" x 3.0"	101.6	76.2	101.6	2.0	

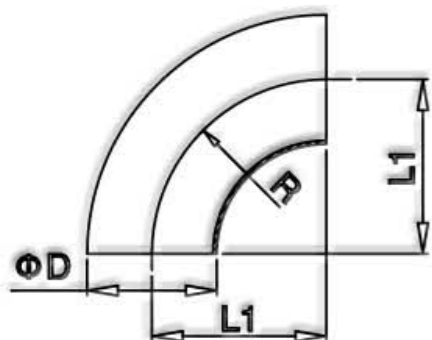
Yuxing Light Industrial Machinery

Sanitary Valve (Manual/Pneumatic)
Sanitary Pipe Fittings
Fluid Facility

BS

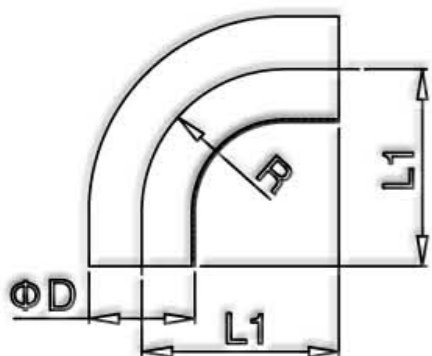
Material:304/316L

YX1071001 焊接式弯头(90°) Welded Elbow — BS4825



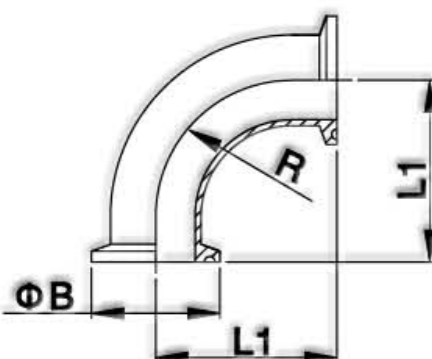
Size	L1	D	R		Kg
1"	43.5	25.4	38.1		
1 1/2"	63.5	38.1	57.2		
2"	88.5	50.8	76.2		
2 1/2"	113.5	63.5	95.3		
3"	133.5	76.2	114.3		
4"	173.5	101.6	152.4		

YX1071002 加直端焊接式弯头(90°) Welded Elbow with straight ends — BS



Size	L1	D	R		Kg
1"	65.0	25.4	38.1		
1 1/2"	85.0	38.1	57.2		
2"	110.0	50.8	76.2		
2 1/2"	135.0	63.5	95.3		
3"	155.0	76.2	114.3		
4"	195.0	101.6	152.4		

YX1072003 卡箍式弯头(90°) Clamped Elbow — BS4825



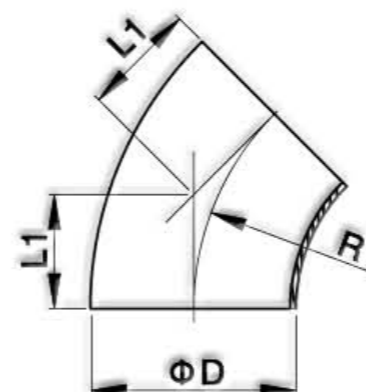
Size	L1	G	R		Kg
1"	65.0	50.5	38.1		
1 1/2"	85.0	50.5	57.2		
2"	110.0	64.0	76.2		
2 1/2"	135.0	71.5	95.3		
3"	155.0	91.0	114.3		
4"	195.0	119.0	152.4		

Sanitary Valve (Manual/Pneumatic)
Sanitary Pipe Fittings
Fluid Facility

BS

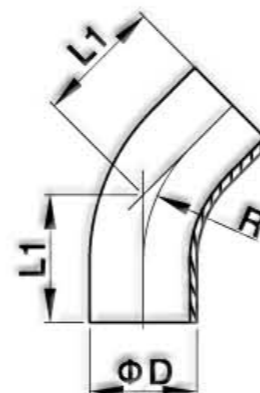
Material:304/316L

YX1071004 焊接式弯头(45°) Welded Elbow — BS4825



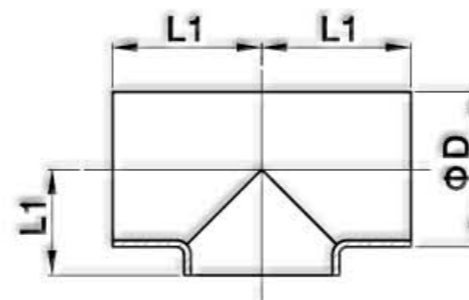
Size	L1	D	R		Kg
1"	15.8	25.4	38.1		
1 1/2"	23.8	38.1	57.2		
2"	31.75	50.8	76.2		
2 1/2"	39.6	63.5	95.3		
3"	47.6	76.2	114.3		
4"	63.5	101.6	152.4		

YX1071005 长型焊接式弯头(45°) Long-type welded Elbow — BS4825



Size	L1	D	R		Kg
1"	30.2	25.4	38.1		
1 1/2"	41.3	38.1	57.2		
2"	58.7	50.8	76.2		
2 1/2"	76.2	63.5	95.3		
3"	93.7	76.2	114.3		
4"	122.2	101.6	152.4		

YX1071006 短型焊接式三通 Short-type welded Tee — BS4825



Size	L1	D			Kg
1"	43.5	25.4			
1 1/2"	63.5	38.1			
2"	88.5	50.8			
2 1/2"	113.5	63.5			
3"	133.5	76.2			
4"	173.5	101.6			

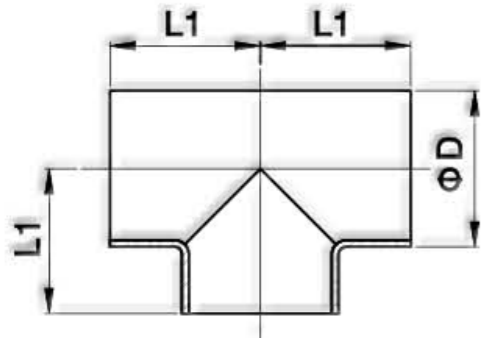
Tel: 0086-577-86810811 86801811

Sanitary Valve (Manual/Pneumatic)
Sanitary Pipe Fittings
Fluid Facility

BS

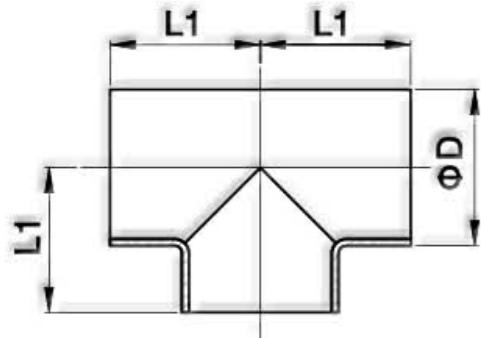
Material:304/316L

YX1071007 长型焊接式三通 Long-type Welded Tee — BS4825



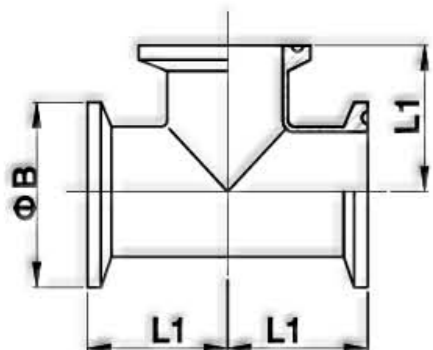
Size	L1	D				Kg
1"	76.2	25.4				
1 1/2"	114.3	38.1				
2"	152.4	50.8				
2 1/2"	190.5	63.5				
3"	228.6	76.2				
4"	304.8	101.6				

YX1071008 长型焊接式三通 Long-type Welded Tee — BS4825



Size	L1	D				Kg
1/2"	47.6	12.7				
3/4"	50.8	19.05				
1"	54.0	25.4				
1 1/2"	60.3	38.1				
2"	73.0	50.8				
2 1/2"	79.4	63.5				
3"	85.7	76.2				
4"	104.8	101.6				

YX1072009 卡箍式三通 Clamped Tee — BS4825



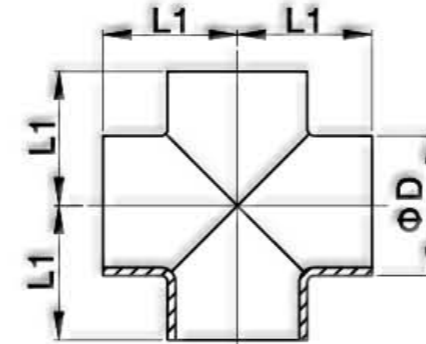
Size	L1	B				Kg
1/2"	57.2	34.0				
3/4"	60.3	34.0				
1"	66.7	50.5				
1 1/2"	73.0	50.5				
2"	85.7	64.0				
2 1/2"	92.1	77.5				
3"	98.4	91.0				
4"	120.7	119.0				

Sanitary Valve (Manual/Pneumatic)
Sanitary Pipe Fittings
Fluid Facility

BS

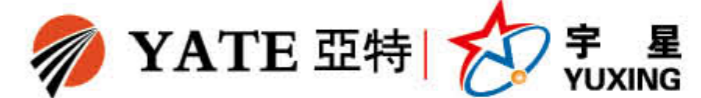
Material:304/316L

YX1071010 焊接式四通 Welded Cross — BS



Size	L1	D				Kg
1"	65.0	25.4				
1 1/2"	85.0	38.1				
2"	110.0	50.8				
2 1/2"	135.0	63.5				
3"	155.0	76.2				
4"	195.0	101.6				

E-mail:wzyuxing@yahoo.cn



温州市亚特阀门管件有限公司
温州市宇星轻工机械有限公司

地址:温州市经济技术开发区滨海园区B505小区
丁香路611号 (邮编:325025)
电话:(0577)86810811 86801811 86837889
商务电话:13676770111
传真:(0577)-86837889
Http://www.wz-yuxing.cn
Http://www.wz-yufeng.com
Http://www.wzyuxing.com.cn
E-mail:wzyuxing@yahoo.cn

阿里巴巴网址:Http://wzyuxing.cn.alibaba.com

项光锋

销售部 经理

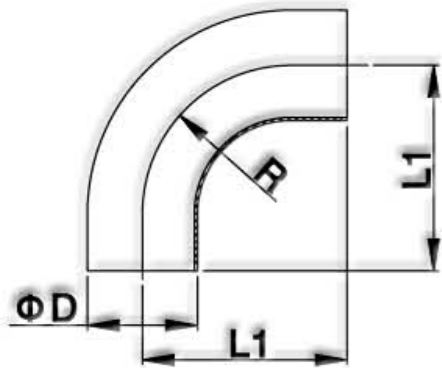
手机:13587878857

Sanitary Valve (Manual/Pneumatic)
Sanitary Pipe Fittings
Fluid Facility

BPE

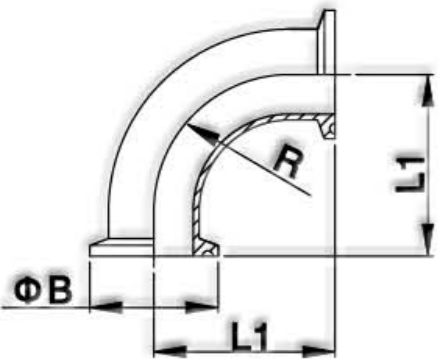
Material:304/316L

YX1081001 焊接式弯头(90°) Welded Elbow — BPE



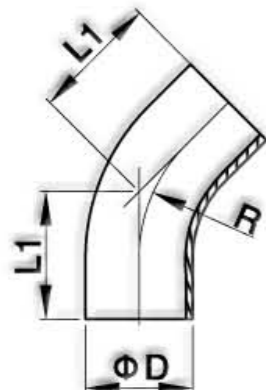
Size	L1	D	R			Kg
1/2"	76.2	12.7	19.05			
3/4"	76.2	19.05	28.57			
1"	76.2	25.4	38.1			
1 1/2"	95.3	38.1	57.2			
2"	120.7	50.8	76.2			
2 1/2"	139.7	63.5	95.3			
3"	158.8	76.2	114.3			
4"	203.2	101.6	152.4			

YX1082002 卡箍式弯头(90°) Clamped Elbow — BPE



Size	L1	B	R			Kg
1/2"	41.3	34.0	19.05			
3/4"	41.3	50.5	28.57			
1"	50.8	50.5	38.1			
1 1/2"	69.9	50.5	57.2			
2"	88.9	64.0	76.2			
2 1/2"	108.0	77.5	95.3			
3"	127.0	91.0	114.3			
4"	168.3	119.0	152.4			

YX1081003 加直端焊接式弯头(45°) Welded Elbow with straight ends — BPE



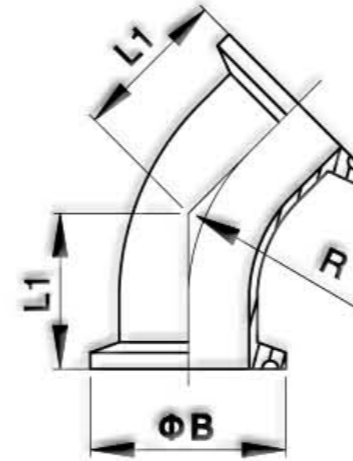
Size	L1	D	R			Kg
1/2"	57.2	12.7	19.05			
3/4"	57.2	19.05	28.57			
1"	57.2	25.4	38.1			
1 1/2"	63.5	38.1	57.2			
2"	76.2	50.8	76.2			
2 1/2"	85.7	63.5	95.3			
3"	92.1	76.2	114.3			
4"	114.3	101.6	152.4			

Sanitary Valve (Manual/Pneumatic)
Sanitary Pipe Fittings
Fluid Facility

BPE

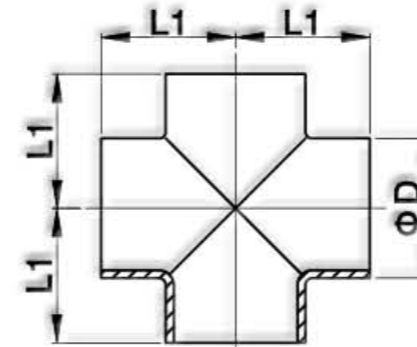
Material:304/316L

YX1082004 卡箍式弯头(45°) Clamped Elbow — BPE



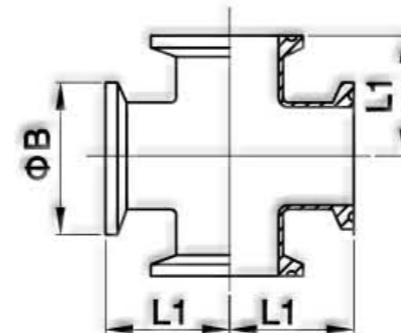
Size	L1	B	R			Kg
1"	28.5	50.5	38.1			
1 1/2"	36.5	50.5	57.2			
2"	44.45	64.0	76.2			
2 1/2"	52.3	77.5	95.3			
3"	60.3	91.0	114.3			
4"	79.4	119.0	152.4			

YX1081005 焊接式四通 Welded Cross — BPE



Size	L1	D				Kg
1/2"	47.6	12.7				
3/4"	50.8	19.05				
1"	54.0	25.4				
1 1/2"	60.3	38.1				
2"	73.0	50.8				
2 1/2"	79.4	63.5				
3"	85.7	76.2				
4"	104.8	101.6				

YX1082006 卡箍式四通 Clamped Cross — BPE



Size	L1	B	R			Kg
1"	66.7	50.5				
1 1/2"	73.0	50.5				
2"	85.7	64.0				
2 1/2"	92.1	77.5				
3"	98.4	91.0				
4"	120.7	119.0				

Http://www.wz-yufeng.com

Sanitary Valve (Manual/Pneumatic)
Sanitary Pipe Fittings
Fluid Facility

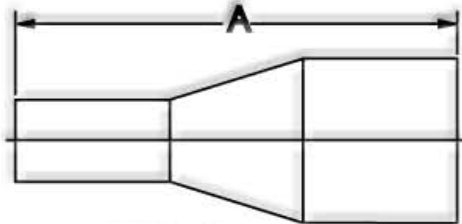
BPE

Material:304/316L

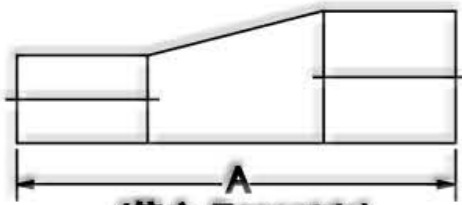
Sanitary Valve (Manual/Pneumatic)
Sanitary Pipe Fittings
Fluid Facility

YX1081007

焊接式大小头 Welded Reducer — BPE



(同心 Concentric)



(偏心 Eccentric)

Size	A					Kg
1" x 3/4"	101.6					
1 1/2" x 3/4"	127.0					
1 1/2" x 1"	127.0					
2" x 1"	184.2					
2" x 1 1/2"	133.4					
2 1/2" x 1 1/2"	184.6					
2 1/2" x 2"	139.7					
3" x 1 1/2"	235.0					
3" x 2"	190.5					
3" x 2 1/5"	139.7					
4" x 2"	298.5					
4" x 2 1/5"	247.7					
4" x 3"	196.9					
6" x 4"	254.0					

温州市宇星轻工机械有限公司

项光锋 销售部 经理
手机:13587878857

温州市亚特阀门管件有限公司
温州市宇星轻工机械有限公司

地址:温州市经济技术开发区滨海园区B505小区
丁香路611号 (邮编:325025)
电话:(0577)86810811 86801811
商务电话:13676770111
传真:(0577)-86837889
Http://www.wz-yuxing.com
Http://www.wz-yufeng.com
Http://www.wzyuxing.com.cn
E-mail:wzyuxing@yahoo.cn
阿里巴巴网址:Http://wzyuxing.cn.alibaba.com





90° 焊接式弯头
90° Welded Elbow



90° 加直端焊接式弯头
90° Welded Elbow with straight ends



90° 卡箍式弯头
90° Clamped elbow



“U”型三通
“U”-type tee



焊接式45°斜三通
45° weld tee



“Y”型焊接式三通
“Y”-type welded tee



90° 活接式弯头
90° Union-type Elbow



45° 焊接式弯头
45° Welded Elbow



45° 卡箍式弯头
45° Clamped elbow



“Y”型卡箍式三通
“Y”-type clamped tee



“Y”型卡箍式三通
“Y”-type clamped tee



焊接式四通
Welded cross



45° 长型焊接弯头
45° Long-type welded elbow



180° 焊接式弯头
180° Welded Elbow



180° 卡箍式弯头
180° Clamped elbow



卡箍式四通
Clamped cross



同心大小头
Concentric Reducer



偏心大小头
Eccentric Reducer



焊接式三通
Welded tee



卡箍式三通
Clamped Tee



活接式三通
Union-type tee



取样弯头
Sample Elbow