

# Mechanical Hygrostat KFR 012 (65% or 50%)



## Default relative humidity settings

### Small size

### High switching capacity

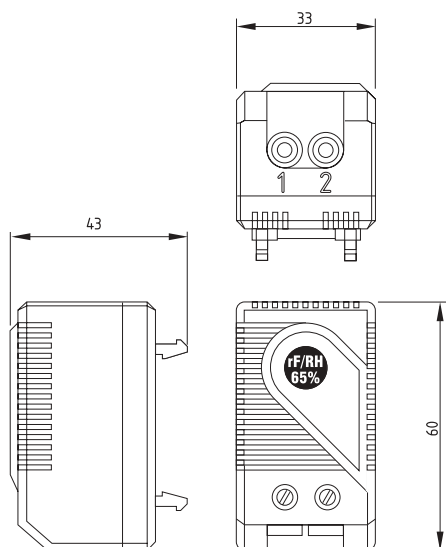
### Clip fixing

The mechanical hygrostat senses the relative humidity in an enclosure with electric/electronic components, and turns on a heater at the fixed factory-set relative humidity setting, helping prevent the formation of condensation in the enclosure.

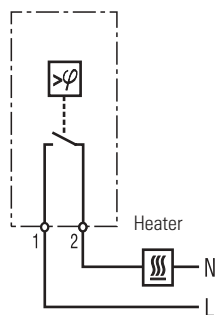


## Technical Data

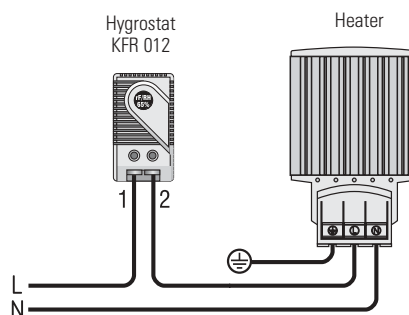
<b>Switch tolerance</b>	± 5% RH
<b>Switch difference (humidity)</b>	4% RH (± 3% tolerance)
<b>Permissible air velocity</b>	15m/s
<b>Contact type</b>	contact maker (NO)
<b>Contact resistance</b>	< 10mOhm
<b>Service life</b>	50,000 cycles
<b>Min. Switching capacity</b>	20V AC/DC 100mA
<b>Max. Switching capacity</b>	250VAC, 5 (0.2) A
	DC 20W
<b>EMC</b>	acc. to EN 55014-1-2, EN 61000-3-2, EN 61000-3-3
<b>Connection</b>	2-pole terminal 2.5 mm <sup>2</sup> , clamping torque 0.8Nm
<b>Mounting</b>	clip for 35mm DIN rail, EN 50022
<b>Casing</b>	plastic according to UL94 V-0, light grey
<b>Dimensions</b>	60 x 43 x 33mm
<b>Weight</b>	approx. 40g
<b>Fitting position</b>	variable
<b>Operating/Storage temperature</b>	0 to +60°C (+32 to +140°F) / -20 to +80°C (-4 to +176°F)
<b>Prot. type</b>	IP20
<b>Approvals</b>	VDE and UL submitted



Connection diagram



Example of connection



Art. No.	Setting
01240.0-00	65% RH factory-set
01241.0-00	50% RH factory-set