

SYB12864L1 v1.0

12864C2 REV.L1

ShenZhen TCC LCD Hi-Tech CO.,Ltd

TEL:13430801109 075529644106 FAX:27897479

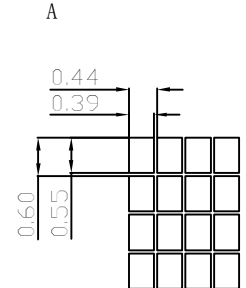
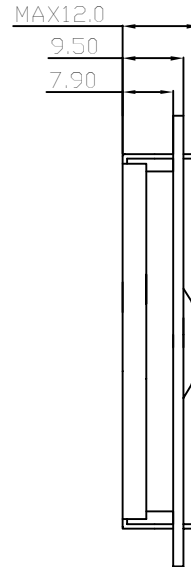
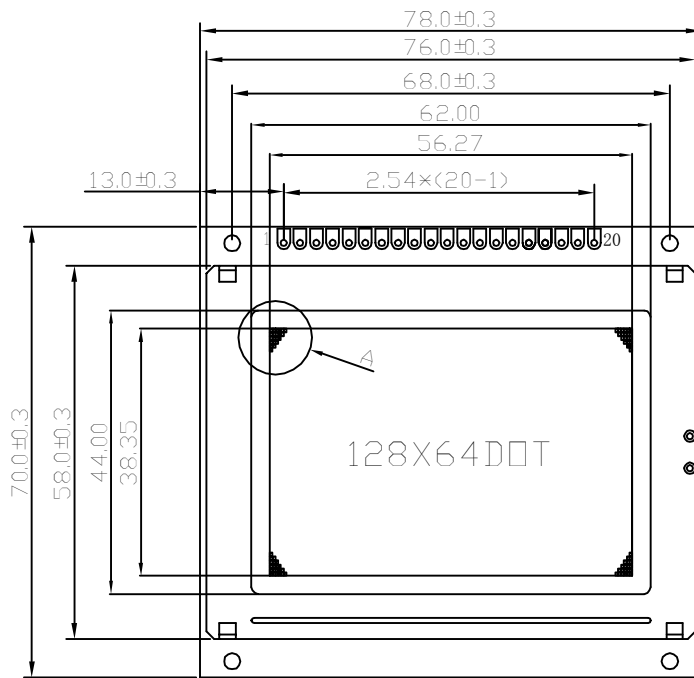
http://www.lcdlcm.net

Email:tccsz@163.com

地址: 深圳市宝安区39区4号厂房2楼



① PHYSICAL DIMENSION/外型尺寸



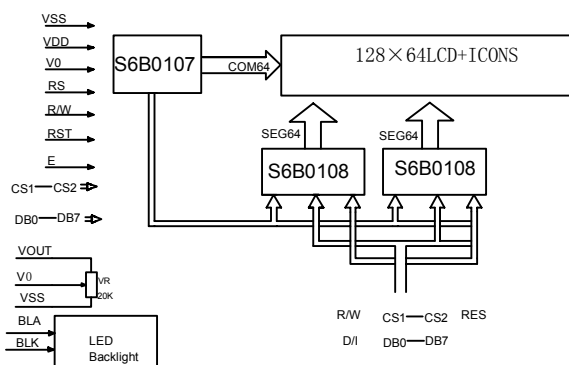
Display Format
128×64DOTS
Driving Method
1/64 Duty
1/9 Bias

② FEATURES/特征

Feature(特征)	UNIT(单位)
LCD type & Colour(类型及颜色)	STN Yellow-green ;STN Blue
View Angle(视角)	6 0°clock
Operating temperature(工作温度)	-20℃ ---- 70℃
Storage Temperature(贮存温度)	-30℃ ---- 80℃
Control IC & Package(控制芯片及封装)	S6B0107 , COB
Weight(重量)	73 (With B/L) g
Backlight(背光类型)	LED

	Ta=25℃	MIN(最小)	TYP(典型)	MAX(最大)	UNIT(单位)
Supply current don't contain backlight(无背光时电流)	0		12.0		mA
VDD(电源)	-0.3		5.0	5.5	V
VLCD-V0(LCD驱动电压)	0		-4.7		V
Backlight LED (背光电电压,电流)	侧背光	0	5.0	5.0	V
	底背光	0	75		mA
		0	5.0	5.5	V
		0	180		mA

④ BLOCK DIAGRAM/原理电路



③ PIN CONFIGURATION/管脚说明

PIN	SYMBOL	DESCRIPTION(定义描述)	
1	CS1	Chip select signal (片选1)	
2	CS2	Chip select signal (片选2)	
3	VSS	Power ground (地)	
4	VDD	Power positive (逻辑电压)	
5	V0	Operating voltage for LCD Driver (对比度调节)	
6	RS	H:Data L:Instruction Code (指令 数据信号)	
7	R/W	Read or Write. (写数据)	
8	E	Enable trigger. (使能信号)	
9	DB0	Data bus [0~7]. There state I/O common terminal. (数据线0-7)	
16	DB7		
17	RST		Reset Signal (复位)
18	VOUT		Negative voltage output (负压输出)
19	BLA		Power supply for backligh(+) (背光正极)
20	BLK		Power supply for backligh(+) (背光负极)

⑤ ELUCIDATION/补充备注