

SYB19264B

v1.0

ShenZhen TCC LCD Hi-Tech CO.,Ltd

TEL:13430801109 075529644102/3/4/5/6/7 6 FAX:27897479

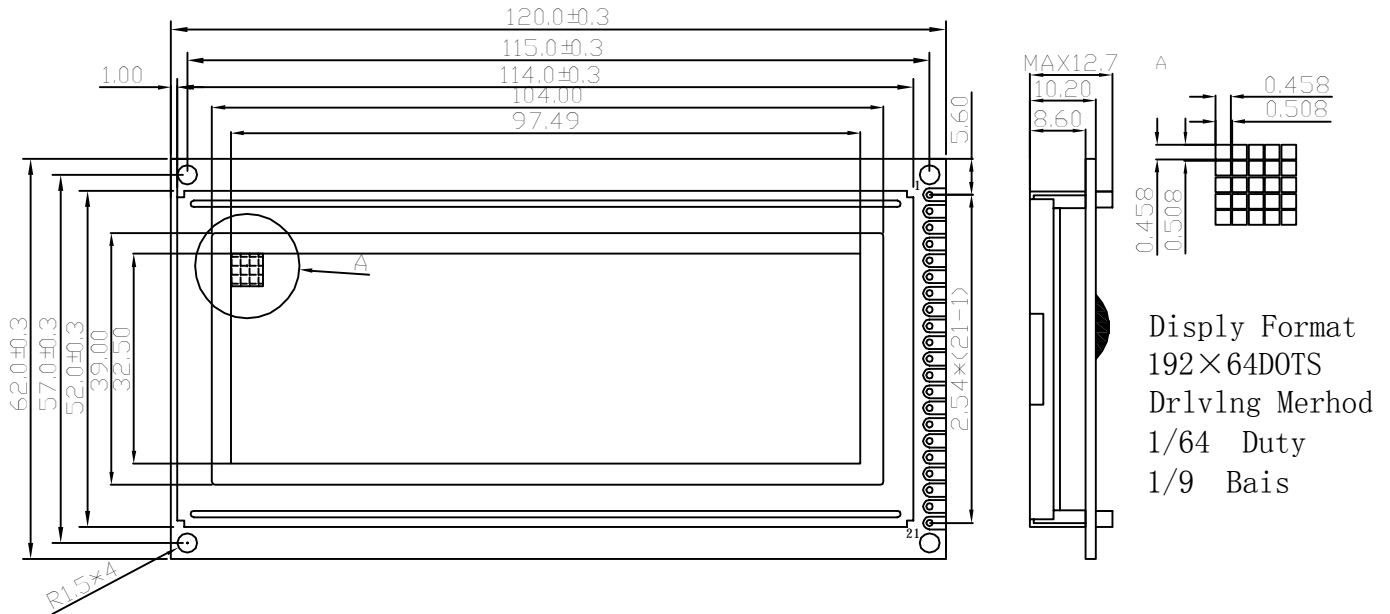
http://www.lcdlcm.net

Email:tccsz@163.com

地址: 深圳市宝安区39区4号厂房2楼



① PHYSICAL DIMENSION/外型尺寸

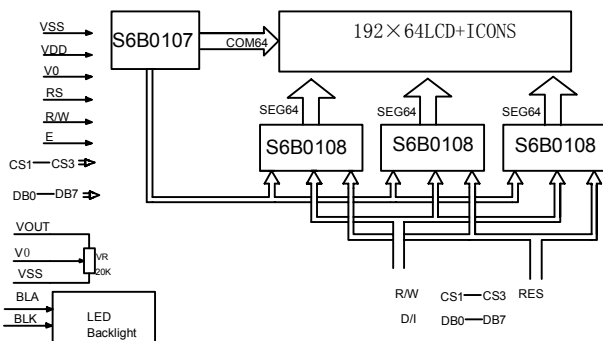


② FEATURES/特征

Feature(特征)	UNIT(单位)
LCD type & Colour(类型及颜色)	STN Yellow-green ;STN Blue
View Angle(视角)	6 0° clock
Operating temperature(工作温度)	-20°C ---- 70°C
Storage Temperature(贮存温度)	-30°C ---- 80°C
Control IC & Package(控制芯片及封装)	S6B0107 , COB
Weight(重量)	101 (With B/L) g
Backlight(背光类型)	LED

Ta=25°C	MIN(最小)	TYP(典型)	MAX(最大)	UNIT(单位)	
Supply current don't contain backlight(无背光时电流)	0	9.2		mA	
VDD(电源)	-0.3	3.0	5.0	5.5 V	
VLCD-V0(LCD驱动电压)	0	-4.7		V	
Backlight LED (背光电压,电流)	侧背光	0	3.0	5.0	5.0 V
	底背光	0	75	75	mA
	底背光	0	5.0	5.5	V
	底背光	0	180		mA

④ BLOCK DIAGRAM/原理电路



③ PIN CONFIGURATION/管脚说明

PIN	SYMBOL	DESCRIPTION(定义描述)	
1	VSS	Power ground (地)	
2	VDD	Power positive (逻辑电压)	
3	V0	Operating voltage for LCD Driver(对比度调节)	
4	VOUT	Negative voltage output (负压输出)	
5	RS	H:Data L:Instruction Code(指令 数据信号)	
6	R/W	Read or Write. (写数据)	
7	E	Enable trigger. (使能信号)	
8	DB0	Data bus [0~7]. There state I/O common terminal. (数据线0-7)	
15	DB7		
16	CS1		Chip select signal(片选1)
17	CS2		Chip select signal(片选2)
18	CS3		Chip select signal(片选3)
19	RST		Reset Signal (复位)
20	LEDA		Power supply for backlight(+)(背光正极)
21	LEDK	Power supply for backlight(+)(背光负极)	

⑤ ELUCIDATION/补充备注

--