

SYM24064B4 v1.1

ShenZhen TCC LCD Hi-Tech CO.,Ltd

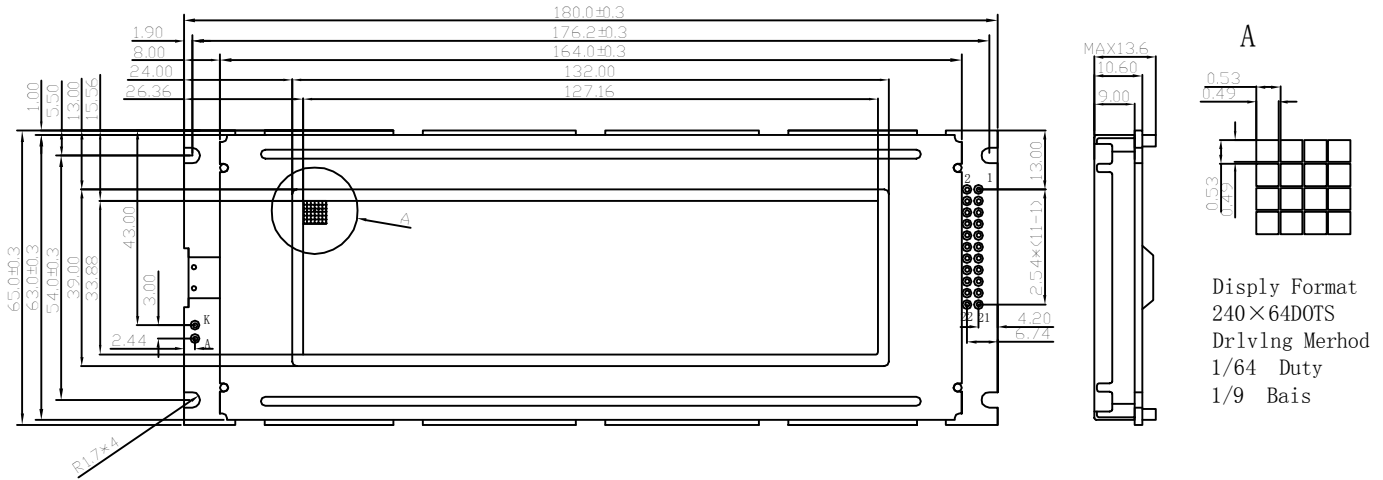
TEL:13430801109 075529644106 FAX:27897479
http://www.lcdlcm.net

Email:tccsz@163.com

地址: 深圳市宝安区39区4号厂房2楼



① PHYSICAL DIMENSION/外型尺寸

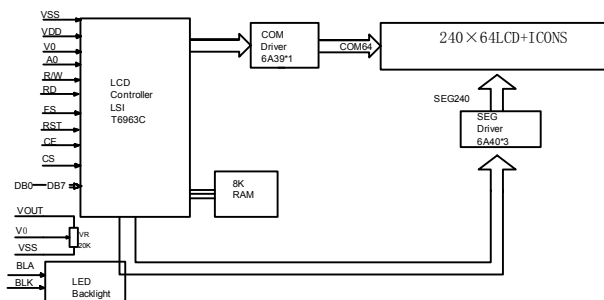


② FEATURES/特征

Feature(特征)	UNIT(单位)
LCD type & Colour(类型及颜色)	STN Yellow-green ;STN Blue ;FSTN
View Angle(视角)	6 0° clock
Operating temperature(工作温度)	-20°C ---- 70°C
Storage Temperature(贮存温度)	-30°C ---- 80°C
Control IC & Package(控制芯片及封装)	T6963C , SMT
Weight(重量)	162 (With B/L)
Backlight(背光类型)	LED

Ta=25°C	MIN(最小)	TYP(典型)	MAX(最大)	UNIT(单位)	
Supply current don't contain backlight(无背光时电流)	0	12.0		mA	
VDD(电源)	-0.3	5.0	5.5	V	
VLCD-V0(LCD驱动电压)	0	-6.8		V	
Backlight LED (背光电压,电流)	侧背光	0	5.0	5.0	V
	底背光	0	75		mA
		0	5.0	5.5	V
	0	180		mA	

④ BLOCK DIAGRAM/原理电路



③ PIN CONFIGURATION/管脚说明

PIN	SYMBOL	DESCRIPTION(定义描述)
1	VSS	Power ground (地)
2	VSS	Power ground (地)
3	VDD	Power positive (逻辑电压)
4	V0	Operating voltage for LCD Driver (对比度调节)
5	R/W	Read or Write. (写数据)
6	RD	Register select (读信号)
7	CE	Chip select (片使能信号)
8	C/D	H:Data L:Instruction Code(指令 数据信号)
9	NC/VOUT	No connection (空脚)
10	RST	Reset Signal (复位)
11	DB0	Data bus [0~7]. There state I/O common terminal. (数据线0-7)
18		
19	FS	Font Select (字体选择)
20	VOUT/NC	Negative voltage output (负压输出)
21	BLA	Power supply for backligh(+) (背光正极)
22	BLK	Power supply for backligh(+) (背光负极)

⑤ ELUCIDATION/补充备注