

SYB240128AZK

v3.0

ShenZhen TCC LCD Hi-Tech CO.,Ltd

TEL:13430801109 075529644106 FAX:27897479

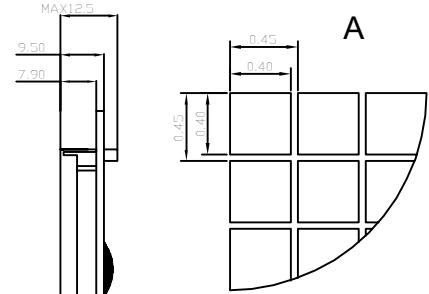
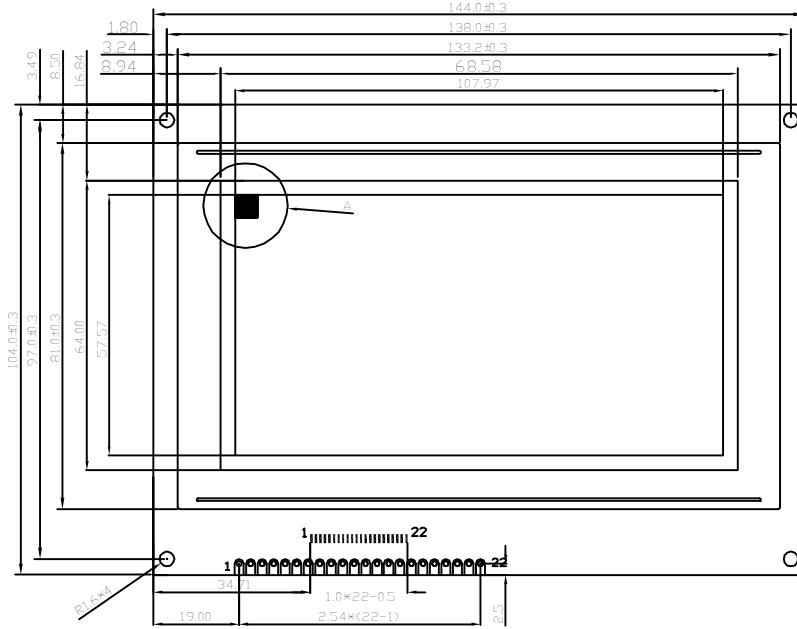
http://www.lcdlcm.net

Email:tccsz@163.com

地址: 深圳市宝安区39区4号厂房2楼



① PHYSICAL DIMENSION/外型尺寸



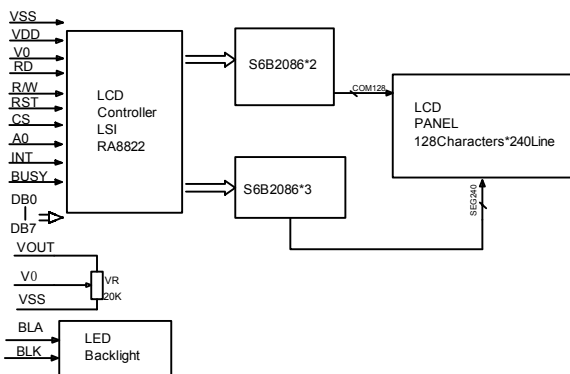
Display Format
240×128DOTS
Driving Method
1/128 Duty
1/12 Bias

② FEATURES/特征

Feature(特征)	UNIT(单位)
LCD type & Colour(类型及颜色)	STN Yellow-green ;STN Blue ;FSTN
View Angle(视角)	6 0' clock
Operating temperature(工作温度)	-20℃ ---- 70℃
Storage Temperature(贮存温度)	-30℃ ---- 80℃
Control IC & Package(控制芯片及封装)	RA8822 COB
Weight(重量)	170 (With B/L) g
Backlight(背光类型)	LED

Ta=25℃	MIN(最小)	TYP(典型)	MAX(最大)	UNIT(单位)
Supply current don't contain backlight(无背光时电流)	0	69		mA
VDD(电源)	-0.3	5.0		V
VLCD-V0(LCD驱动电压)	0	-8.6		V
Backlight LED (背光电压,电流)	侧背光	0	5.0	V
	底背光	0	120	mA
				V
				mA

④ BLOCK DIAGRAM/原理电路



③ PIN CONFIGURATION/管脚说明

PIN	SYMBOL	DESCRIPTION(定义描述)
1	FG	Frame Grokund(铁框地)
2	VSS	Power ground(地)
3	VDD	Power positive(逻辑电压)
4	V0	Operating voltage for LCD Driver(对比度调节)
5	R/W	Read or Write.(写数据)
6	RD	Register select(读信号)
7	CE	Chip select(片使能信号)
8	A0	H:Data L:Instruction Code(指令 数据信号)
9	RST	Reset Signal(复位)
10	DB0	Data bus [0~7]. There state I/O common terminal.(数据线0-7)
11	DB1	
12	DB2	
13	DB3	
14	DB4	
15	DB5	
16	DB6	
17	DB7	
18	NC	No connection(空脚)
19	VOUT	Negative voltage output(负压输出)
20	BLA	Power supply for backligh(+)(背光正极)
21	INT	Interrupt output Pin(中断)
22	BUSY	Busy Check Pin(忙信号)

⑤ ELUCIDATION/补充备注