

# SYB240128A v2.1

ShenZhen TCC LCD Hi-Tech CO.,Ltd

TEL:13430801109 075529644106 FAX:27897479

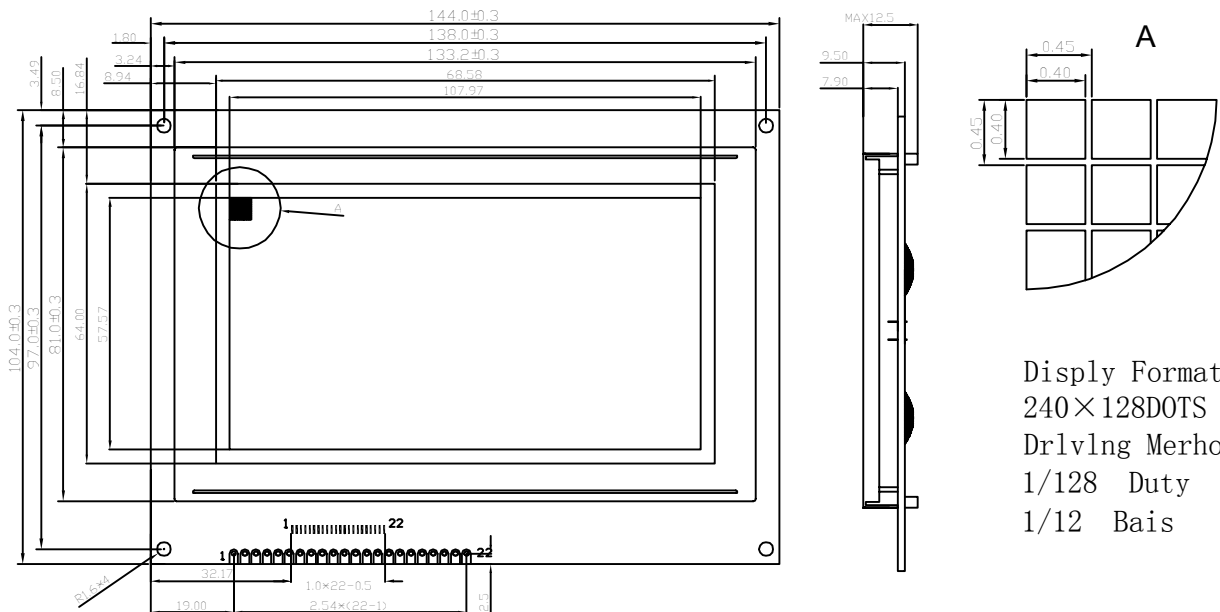
http://www.lcdlcm.net

Email:tccsz@163.com

地址:深圳市宝安区39区4号厂房2楼



## ① PHYSICAL DIMENSION/外型尺寸

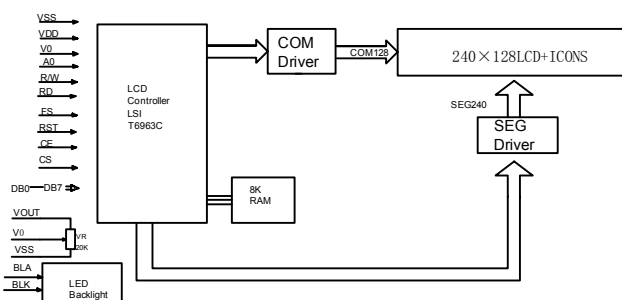


## ② FEATURES/特征

Feature(特征)	UNIT(单位)
LCD type & Colour(类型及颜色)	STN Yellow-green ;STN Blue ;FSTN
View Angle(视角)	6 0' clock
Operating temperature(工作温度)	-20℃ ---- 70℃
Storage Temperature(贮存温度)	-30℃ ---- 80℃
Control IC & Package(控制芯片及封装)	T6963C , COB
Weight(重量)	170 (With B/L) g
Backlight(背光类型)	LED

Ta=25℃	MIN(最小)	TYP(典型)	MAX(最大)	UNIT(单位)	
Supply current don't contain backlight(无背光时电流)	0	12.0		mA	
VDD(电源)	-0.3	5.0	5.5	V	
VLCD-V0(LCD驱动电压)	0	-6.8		V	
Backlight LED (背光电压,电流)	侧背光	0	5.0	5.0	V
	底背光	0	75		mA
		0	5.0	5.5	V
	0	180		mA	

## ④ BLOCK DIAGRAM/原理电路



## ③ PIN CONFIGURATION/管脚说明

PIN	SYMBOL	DESCRIPTION(定义描述)	
1	FG	Frame Grokund(铁框地)	
2	VSS	Power ground(地)	
3	VDD	Power positive(逻辑电压)	
4	V0	Operating voltage for LCD Driver(对比度调节)	
5	R/W	Read or Write.(写数据)	
6	RD	Register select(读信号)	
7	CE	Chip select(片使能信号)	
8	C/D	H:Data L:Instruction Code(指令 数据信号)	
9	RST	Reset Signal(复位)	
10	DB0	Data bus [0~7]. There state I/O common terminal.(数据线0-7)	
17	DB7		
18	FS		Font Select(字体选择)
19	VOUT		Negative voltage output(负压输出)
20	BLA		Power supply for backligh(+)(背光正极)
21	BLK		Power supply for backligh(+)(背光负极)
22	NC		No connection(空脚)

## ⑤ ELUCIDATION/补充备注