

SYM240320B

V1.0

ShenZhen TCC LCD Hi-Tech CO.,Ltd

TEL;13430801109 0755-29644106 FAX,29644104

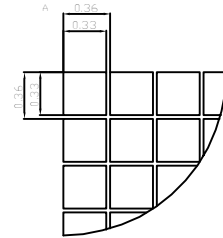
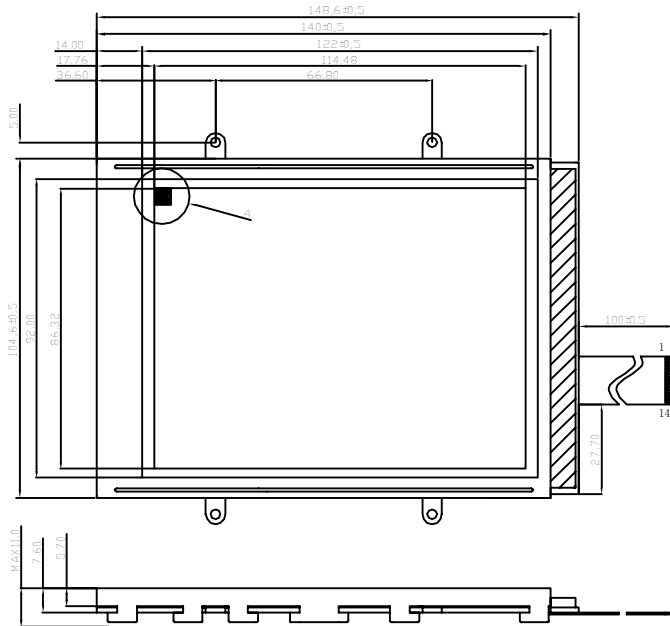
http://www. lcdlcm.net

Email:tccsz@163.com

地址: 深圳市宝安区39区4号厂房2楼



① PHYSICAL DIMENSION/外型尺寸



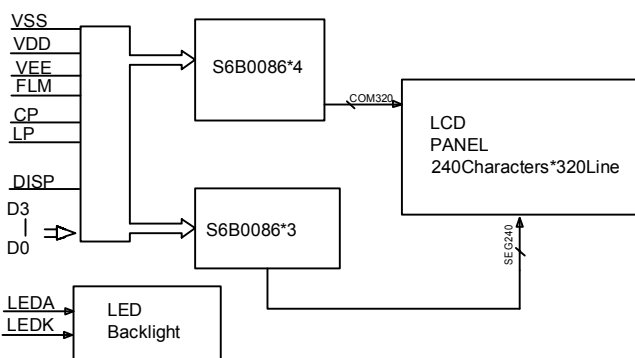
Disply Format
 240×320DOTS
 Drlving Merhody
 1/320 Duty
 1/17 Bais

② FEATURES/特征

Feature(特征)	UNIT(单位)
LCD type & Colour(类型及颜色)	STN Blue ;FSTN
View Angle(视角)	6 0' clock
Operating temperature(工作温度)	-20℃ ---- 70℃
Storage Temperature(贮存温度)	-30℃ ---- 80℃
Control IC & Package(控制芯片及封装)	---- SMT
Weight(重量)	200 (With B/L) g
Backlight(背光类型)	LED

Ta=25℃	MIN(最小)	TYP(典型)	MAX(最大)	UNIT(单位)
Supply current don't contain backlight(无背光时电流)	0	69		mA
VDD(电源)	-0.3	5.0		V
VLCD-V0(LCD驱动电压)	0	-21.0		V
Backlight LED (背光电压,电流)	侧背光	0	5.0	V
	CCFL	0	150	mA
				V
				mA

④ BLOCK DIAGRAM/原理电路



③ PIN CONFIGURATION/管脚说明

PIN	SYMBOL	DESCRIPTION/定义描述
1	VDD	Power positive(逻辑电压)
2	VSS	Power ground(地)
3	NC	No connection(空脚)
4	FLM	Frame signal(每一帧开始)
5	NC	No connection(空脚)
6	LP	Data Latch Pulse(数据锁存信号)
7	CP	Data shift Pulse(数据移位信号)
8—11	D0 — D3	Data bus [0~3]. There state I/O common terminal.(数据线0-3)
12	DISP	Display ON/OFF(显示开关)
13	BLA	Power supply for backligh(+)(背光正极)
14	BLK	Power supply for backligh(-)(背光负极)

⑤ ELUCIDATION/补充备注

--