

- ★ High Reliability by S.M.T. & TQC.
(Surface Mounting Technology)
- ★ High Isolation over than 50MΩ / 500VDC
- ★ High Dielectric over than 2.5KV
- ★ Low Enable Current less than 7.5mA / 12VDC
C MOS IC or TTL Compatible.
- ★ Low EMI / EFI & Surge by Zero Cross Trigger Method.
- ★ High Surge Current Duration Over 10 Times of Rated Current / One Cycle
- ★ High Surge Voltage Duration by Snubber Circuit.
- ★ 表面貼焊技術及全面品管，提供最可靠的 SSR
- ★ 高絕緣阻抗超過 50MΩ / 500VDC
- ★ 高耐壓超過 2.5KV
- ★ 低觸發電流小於 7.5mA / 12VDC，可與 CMOS IC 及 TTL 匹配
- ★ 零點觸發方式避免電磁 / 高頻干擾
- ★ 高耐過電流，超過 10 倍額定電流 / 一週期
- ★ 具緩衝迴路可吸收瞬間突破



Guiding of Model

Terminal Type

Ex. **SSR-40DA-H**

① ② ③ ④ ⑤

① **Product** 產品別

SSR: SINGLE PHASE SOLID STATE RELAY
單相固態繼電器
STR: THREE PHASE SOLID STATE RELAY
三相固態繼電器

② **Output Current** 輸出電流

10 : 10A 25 : 25A
40 : 40A 50 : 50A
75 : 75A

③ **Input Voltage** 輸入方式

D: DC 3W ~ 32V <ON/OFF>
A: AC 80 ~ 250V <ON/OFF>
L: 4 ~ 20mA (linear)
V: VARIABLE RESISTER

④ **Output Voltage** 輸出電壓

A: AC VOLTAGE
D: DC VOLTAGE

⑤ **Output Voltage Range** 輸出電壓範圍

H : High Voltage Type < 90 ~ 480VAC >
Non: Standard Type < 24 ~ 380VAC >

PCB Type

Ex. **SSR-P03DA**

① ② ③ ④ ⑤

① **Product** 產品別

SSR : SINGLE PHASE SOLID STATE

② **Mounting Method** 固定方式

PCB: PCB TYPE

③ **Output Current** 輸出電流

03 = 3A
05 = 5A

④ **Input Method** 輸入方式

D : DC VOLTAGE

⑤ **Output Voltage** 輸出電壓

D : DC 5 ~ 60V
A : AC 24 ~ 280V

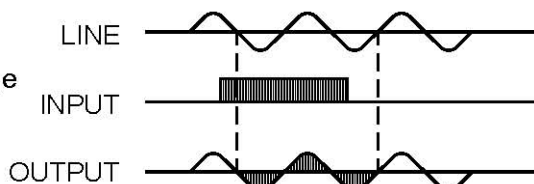
Control Method

Zero Cross Trigger Method

Output TURN ON or TURN OFF only on Zero Cross Point of sine wave , may avoid surge or EMI / RFI occurring.

Specially suited to control resistive , capacitive and Non - saturated inductive loads.

輸出只在正弦波的零點才會動作或復歸，可避免生突波或 EM / RFI，特別適於控制阻抗性，電容性和不飽和感抗性等負載。

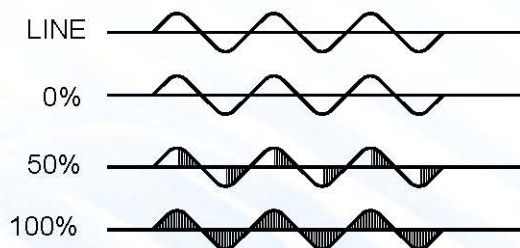


Variable Resistance Control Method

< Trimmer Control Method >

Power Output is Controlled by the Trigger Angle of Triac with Variable Resistor 250K Ω /110VAC, 500K Ω /220VAC

輸出功率以可變電阻 250K Ω /110VAC, 500K Ω /220VAC 控制 Triac 觸發角決定輸出功率。



Application Hints

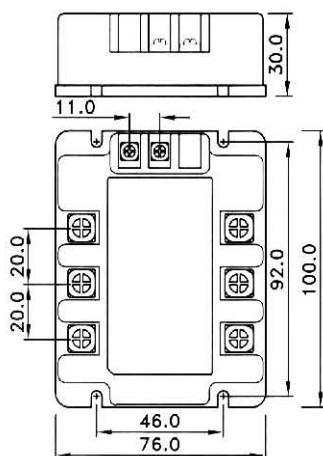
Input	NPN	Output	NO	Input	PNP	Output	NO	Input	L.S.	Output	NO
Input	NPN	Output	NC	Input	PNP	Output	NC	Latch Circuit (AC to AC)			

FOTEK TSR SERIES THREE PHASE SOLID STATE RELAY

■ Specification <Dc To Ac>

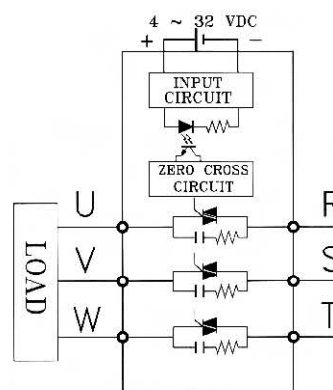
Type 型式	Standard Type 基本型			High Voltage Type 高壓型		
Model 型號	TSR-25DA	TSR-40DA	TSR-75DA	TSR-25DA-H	TSR-40DA-H	TSR-75DA-H
Rated Load Current 輸出額定電流	25A	40A	75A	25A	40A	75A
Input Voltage 輸入電壓	4~32VDC					
ON/OFF Voltage 動作/復歸電壓	ON>3.6V/OFF<2.4V					
Trigger Current 觸發電流	7.5A/12V					
Control Method 控制方式	Zero Cross Trigger 零點觸發					
Operating Voltage 工作電壓	24~380VAC			90~480VAC		
Min. Block Voltage 最低耐壓	600 VAC<Repetitive>					
Peak Voltage 耐突波	Over 1200V					
Max. One Cycle Surge 最大承受電流/一週期	275A	410A	820A	275A	410A	820A
Leakage Current 洩漏電流	12.5mA @ 380V			15.5mA @ 440V		
Response Time 動作應答時間	ON<20ms/OFF<20ms					
Dielectric Strength 耐壓強度	Over 2.5KVAC/1min.					
Isolation Strength 絕緣強度	Over 50M Ω/ 500VDC					
Circumstance 工作環境	-20°C~+80°C					
Weight 重量	Appr.390g					

■ Dimension 外型尺寸圖

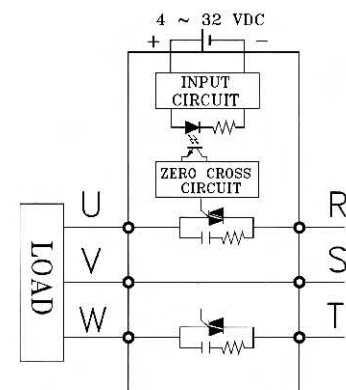


■ Connection Diagram 接線圖

TSR-25DA(H) ; TSR-40DA(H)



TSR-75DA(H)

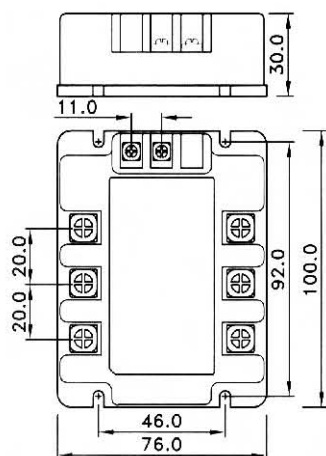


TSR SERIES THREE PHASE SOLID STATE RELAY **FOTEK**

■ Specification <Ac To Ac>

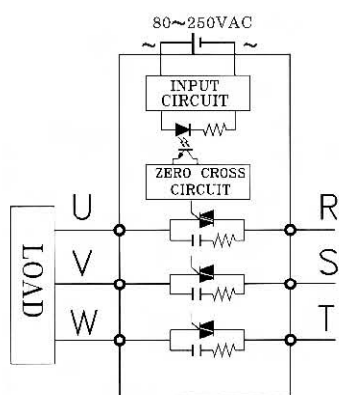
Type 型式	Standard Type 基本型			High Voltage Type 高壓型		
Model 型號	TSR-25AA	TSR-40AA	TSR-75AA	TSR-25AA-H	TSR-40AA-H	TSR-75AA-H
Rated Load Current 輸出額定電流	25A	40A	75A	25A	40A	75A
Input Voltage 輸入電壓	80~250VAC 50/60Hz					
ON/OFF Voltage 動作/復歸電壓	ON > 45V OFF < 35V					
Trigger Current 觸發電流	5.0mA/110V max					
Control Method 控制方式	Zero Cross Trigger 零點觸發					
Operating Voltage 工作電壓	24~380VAC			90~480VAC		
Min. Block Voltage 最低耐壓	600 VAC < Repetitive >					
Peak Voltage 耐突波	Over 1200V					
Max. One Cycle Surge 最大承受電流/一週期	275A	410A	820A	275A	410A	820A
Leakage Current 洩漏電流	12.5mA @ 380V			15.5mA @ 440V		
Response Time 動作應答時間	ON < 20ms/OFF < 20ms					
Dielectric Strength 耐壓強度	Over 2.5KVAC/1min.					
Isolation Strength 絕緣強度	Over 50M Ω / 500VDC					
Circumstance 工作環境	-20°C ~ +80°C					
Weight 重量	Appr. 390g					

■ Dimension 外型尺寸圖

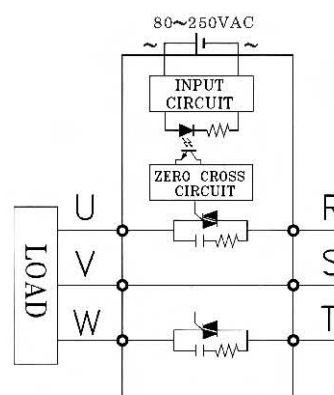


■ Connection Diagram 接線圖

TSR-25DA(H) ; TSR-40DA(H)

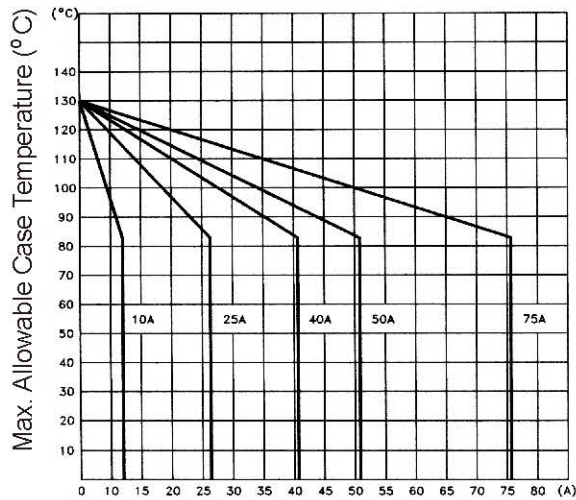


TSR-75DA(H)



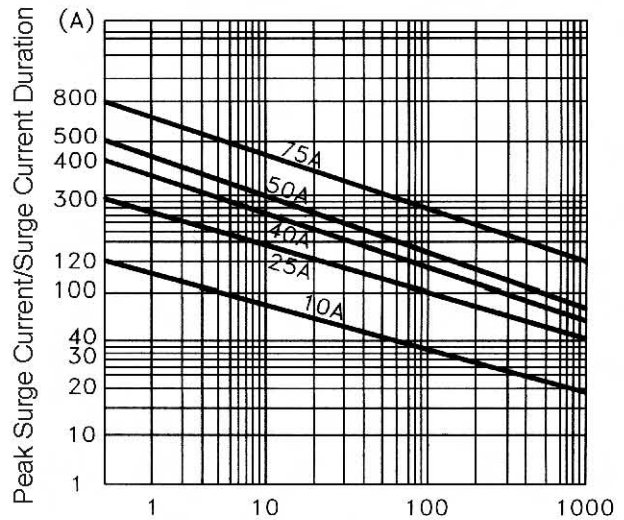
Curve of Characteristic

Max. Allowable Case Temperature
最高容許表面溫度



ON State Current (A) 動作電流

Peak Surge Current/Surge Current Duration
衝擊電流/承受次數



Surge Current Duration (Full cycles)

Dimension

Terminal Type	PCB Type

■ Dimension < Heat Sink >

