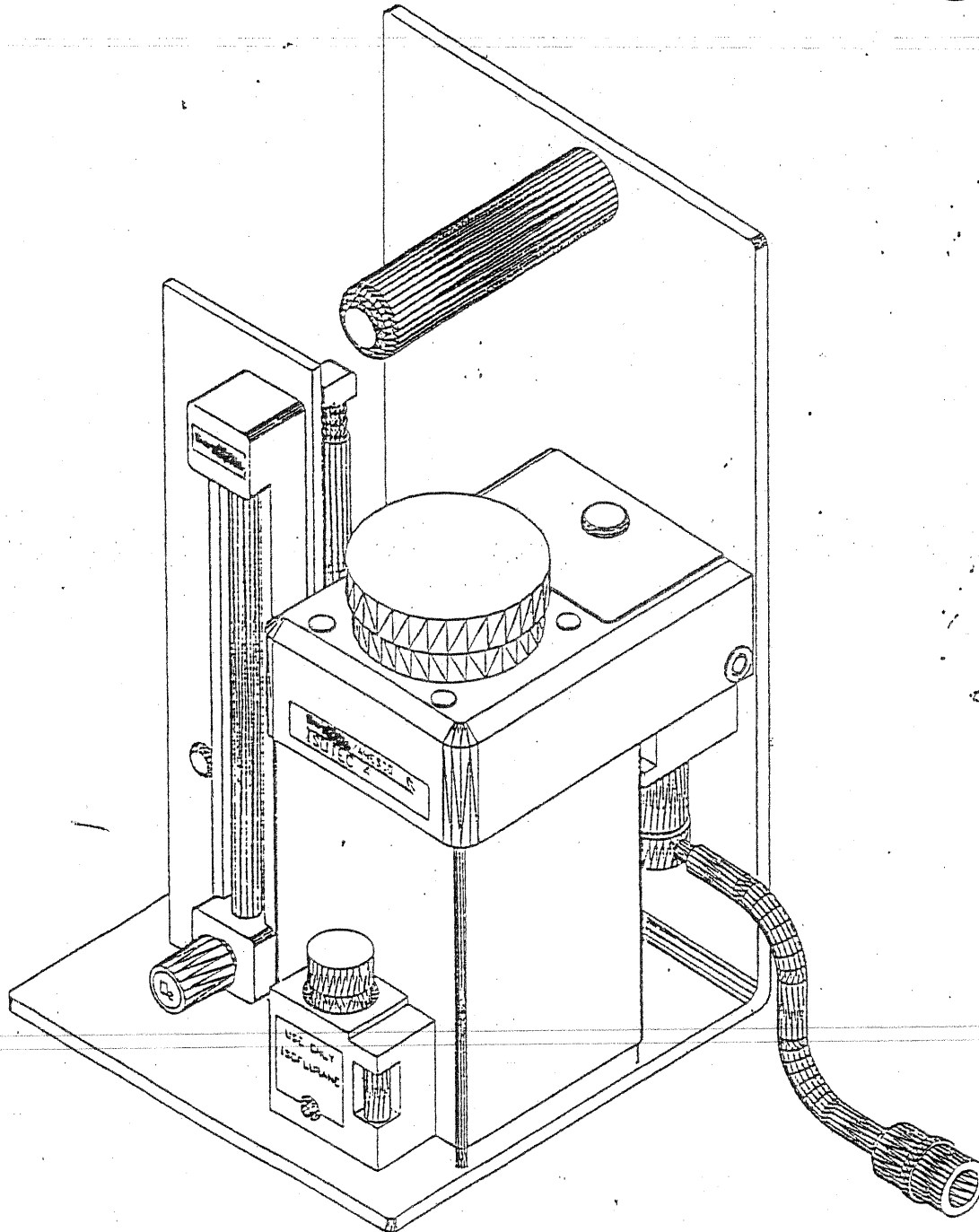


# OPERATIONS MANUAL TABLE TOP RESEARCH



N7 W22025 Johnson Road, Suite A  
Waukesha, Wisconsin 53186  
Phone: 262-513-8500 Fax: 262-513-9069  
Toll Free: 888-745-6562

The TableTop Research unit is a non-rebreathing system that requires little to no assembly. The system consists of a flowmeter, oxygen inlet connection, vaporizer mounting plate, and a carrying handle. Since this is a non-rebreathing system directions for use is very simple. Please see diagram below for general information.

## BASIC OPERATION OF THE TABLE TOP

The TableTop Research unit is a non-rebreathing system and most of the time, used on animals 10 pounds and under. By attaching a non-rebreathing circuit to the system you are able to deliver anesthetic agent to any size patient. It should be noted that a non-rebreathing system can be used on all size animals but it is not cost effective on larger animals.

Because all animals are different in there make-up, there is no one set of rules that will apply when using this machine. We have included some information on Isoflurane and Halothane for your review.

## SEE DIAGRAM 1 FOR THE FOLLOWING INFORMATION

1. Unpack unit from the box and set circuits provided a side.
2. Mount the vaporizer to the unit. If vaporizer is supplied by SurgiVet, the hardware will be included in the back of the unit.
3. The Tech 3 and Tech 4 vaporizers will mount to the back of the plate, and the Ohio style will mount to the bottom of the plate. When using the Ohio you will notice a hole in the bottom of the vaporizer in the center. Simply take a sharp object and remove sticker from around the hole.
4. Place the female endcap into the inlet of the vaporizer.
5. Notice the plastic 15mm adapter attached to the male endcap. Place the male endcap into the outlet of the vaporizer. This is where you will attach the non-rebreathing circuits supplied with the unit or any other type of non-rebreathing circuit.

IF YOU HAVE ANY QUESTIONS PLEASE CONTACT  
SURGIVET

AT

---

888-745-6562

262-513-8500

---

