

Power distribution blocks with screw connection technology WPDB

NEW



The supply blocks WPDB permit power distribution in a very compact, very simple form.

- Space-saving design
- Modular or 3-phase block versions
- Easy to use
- IP20 class of protection
- For TS 35 rail or direct mounting
- High short-circuit protection
- Parallel cross-connection with 5 x 15 mm busbar

United Kingdom

Weidmüller Ltd.
1 Abbey Wood Road, Kings Hill
West Malling, Kent ME19 4YT
Phone +44 1732-877000
Fax +44 1732-873873
info@weidmuller.co.uk
<http://www.weidmueller.com>

USA

W-Interconnections, Inc.
821 Southlake Boulevard,
Richmond, VA 23236
Phone +1 804-7942877
Fax +1 804-3792593
info@weidmuller.com
<http://www.weidmuller.com>

Other countries

Weidmüller Interface GmbH & Co. KG
Postfach 3030
32720 Detmold
Phone +49 5231-14-0
Fax +49 5231-14-2083
info@weidmueller.com
<http://www.weidmueller.com>

WPDB 16/6 3/4

16/6 mm²

WPDB 35-16/16 1-1/6

35/16 mm²



Technical data

| | | | | | | |
|--|-------------------|------------|----------|-------------------|----------|-----------|
| Max. current | 80 A | | | 125 A | | |
| Dimensions | | | | | | |
| Width / Length (incl. mounting) / Height (mm) with TS 35x7.5 | 27 x 37 (66) x 47 | | | 27 x 51 (74) x 47 | | |
| Weight | 63 g | | | 134 g | | |
| IEC rated 60 947-7-1 | | | | | | |
| Rated voltage | V | 690 | | 690 | | |
| Rated current | A | 80 | | 125 | | |
| Rated cross-section in-/output | mm ² | 16 / 16-6 | | 35-16 / 16 | | |
| Rated impulse voltage / Pollution severity | | 2,5 KV / 3 | | 2,5 KV / 3 | | |
| UL94 Flammability Class | | V-0 | | V-0 | | |
| Further technical data | | | | | | |
| Short-circuit strength (peak value) | kA | 22 | | 30 | | |
| Short-circuit strength > 1 s | kA | 3 | | 4,2 | | |
| Inputs | A | B | C | A | B | C |
| Number of Inputs | 1 | | | 1 | | |
| Clampable conductors: | | | | | | |
| „e“ solid H07V-U | mm ² | 2,5 ... 16 | | 10 ... 35 | | 6 ... 16 |
| „m“ stranded H07V-R | mm ² | 2,5 ... 16 | | 10 ... 35 | | 6 ... 16 |
| „f“ flexible H07V-K | mm ² | 2,5 ... 16 | | 10 ... 35 | | 6 ... 16 |
| „f“ flexible H07V-K and ferrule acc. to DIN 46 228/1 | mm ² | 2,5 ... 16 | | 10 ... 35 | | 6 ... 16 |
| „f“ flexible H07V-K and ferrule with plastic insul. Collar | mm ² | 2,5 ... 16 | | 10 ... 35 | | 6 ... 16 |
| Diameter | mm | 7 | | 10 | | 7 |
| Tightening torque | Nm | 1,5 ... 3 | | 3,5 ... 5 | | 3,5 ... 5 |
| Clamping screw | | M5 | | M8 | | M6 |
| Blade size | | PZ2 | | M4 | | M4 |
| Stripping length | mm | 12 ... 18 | | 14 ... 15 | | 10 ... 12 |
| Outputs | A | B | C | A | B | C |
| Number of Outputs | 2 | | | 6 | | |
| Clampable conductors: | | | | | | |
| „e“ solid H07V-U | mm ² | 2,5 ... 16 | | 2,5 ... 16 | | |
| „m“ stranded H07V-R | mm ² | 2,5 ... 16 | | 2,5 ... 16 | | |
| „f“ flexible H07V-K | mm ² | 2,5 ... 16 | | 2,5 ... 16 | | |
| „f“ flexible H07V-K and ferrule acc. to DIN 46 228/1 | mm ² | 2,5 ... 16 | | 2,5 ... 16 | | |
| „f“ flexible H07V-K and ferrule with plastic insul. Collar | mm ² | 2,5 ... 16 | | 2,5 ... 16 | | |
| Diameter | mm | 7 | | 6,5 | | |
| Tightening torque | Nm | 1,5 ... 3 | | 0,8 ... 1,5 | | 1,5 ... 3 |
| Clamping screw | | M4 | | M5 | | M5 |
| Blade size | | PZ1 | | PZ2 | | PZ2 |
| Stripping length | mm | 9 ... 12 | | 12 ... 18 | | 10 ... 12 |
| UL/CSA rated data | | | | | | |
| Voltage/current/conductor size | UL | | | | | |
| Voltage/current/conductor size | CSA | | | | | |

Ordering Data

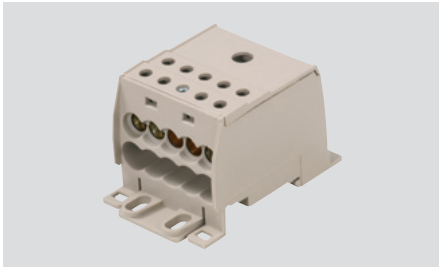
| Version | Type | Qty. | Order No. | Type | Qty. | Order No. |
|------------------|---------------|------|------------|---------------------|------|------------|
| dark beige Wemid | WPDB 16/6 3/4 | 1 | 1939440000 | WPDB 35-16/16 1-1/6 | 1 | 1939450000 |

Accessories

| | | | | | |
|--------------------------|--------------------------------------|--------------------|------------|--------------------|------------|
| Screwdrivers | Crosshead screwdriver, Pozidriv type | SDK PZ1 | 9008530000 | | |
| | Crosshead screwdriver, Pozidriv type | SDK PZ2 | 9008540000 | SDK PZ2 | 9008540000 |
| | 7-piece hexagon wrench set | SK-S 2.0-8.0 | 9008860000 | SK-S 2.0-8.0 | 9008860000 |
| Labelling systems | Marking labels for laser printer | LM MT300 15 x 9 GE | 1882890000 | LM MT300 15 x 9 GE | 1882890000 |

WPDB 70/16 1/10

70/16 mm²



175 A

45 x 55 (71) x 42

228 g

690

175

70 / 16

2,5 KV / 3

V-0

| A | B | C |
|------------|----------|----------|
| 1 | | |
| 16 ... 70 | | |
| 16 ... 70 | | |
| 16 ... 70 | | |
| 16 ... 70 | | |
| 16 ... 70 | | |
| 12 | | |
| 5 | | |
| M10 | | |
| M5 | | |
| 15 ... 16 | | |
| A | B | C |
| 10 | | |
| 2,5 ... 16 | | |
| 2,5 ... 16 | | |
| 2,5 ... 16 | | |
| 2,5 ... 16 | | |
| 2,5 ... 16 | | |
| 6 | | |
| 3 | | |
| M6 | | |
| M3 | | |
| 10 ... 12 | | |

1

16 ... 70

16 ... 70

16 ... 70

16 ... 70

16 ... 70

12

5

M10

M5

15 ... 16

A

B

C

10

2,5 ... 16

2,5 ... 16

2,5 ... 16

2,5 ... 16

2,5 ... 16

6

3

M6

M3

10 ... 12

Type

Qty.

Order No.

WPDB 70/16 1/10

1

1939460000

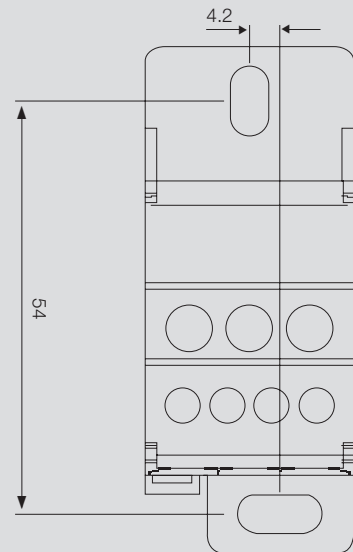
SK-S 2.0-8.0

9008860000

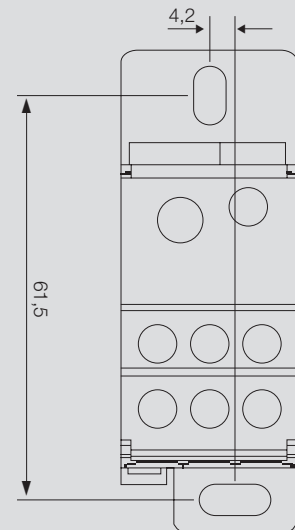
LM MT300 15 x 9 GE

1882890000

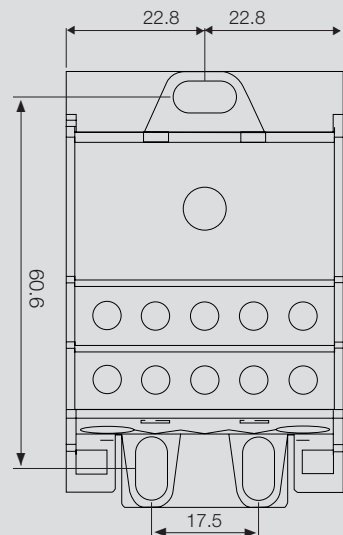
WPDB 16/6 3/4



WPDB 35-16/16 1-1/6



WPDB 70/16 1/10



WPDB 120/35-16-10 1/2-5-4

120/35 mm²

WPDB 185/35-16-10 1/2-5-4

185/35 mm²



Technical data

| | | | | | | |
|--|-----------------------|--------------------|--------------------|-----------------------|--------------------|--------------------|
| Max. current | 250 A | | | 400 A | | |
| Dimensions | | | | | | |
| Width / Length (incl. mounting) / Height (mm) with TS 35x7.5 | 44,5 x 72 (95,5) x 49 | | | 44,5 x 72 (95,5) x 49 | | |
| Weight | 434 g | | | 414 g | | |
| IEC rated 60 947-7-1 | | | | | | |
| Rated voltage | V | 690 | | 690 | | |
| Rated current | A | 250 | | 400 | | |
| Rated cross-section in-/output | mm ² | 120 / 35-16-10 | | 185 / 35-16-10 | | |
| Rated impulse voltage / Pollution severity | | 2,5 KV / 3 | | 2,5 KV / 3 | | |
| UL94 Flammability Class | | V-0 | | V-0 | | |
| Further technical data | | | | | | |
| Short-circuit strength (peak value) | kA | 51 | | 51 | | |
| Short-circuit strength > 1 s | kA | 24,5 | | 24,5 | | |
| Inputs | A | B | C | A | B | C |
| Number of Inputs | 1 | | | 1 | | |
| Clampable conductors: | | | | | | |
| „e“ solid H07V-U | mm ² | 35 ... 120 | | 95 ... 185 | | |
| „m“ stranded H07V-R | mm ² | 35 ... 120 | | 95 ... 185 | | |
| „f“ flexible H07V-K | mm ² | 35 ... 120 | | 95 ... 185 | | |
| „f“ flexible H07V-K and ferrule acc. to DIN 46 228/1 | mm ² | 35 ... 120 | | 95 ... 185 | | |
| „f“ flexible H07V-K and ferrule with plastic insul. Collar | mm ² | 35 ... 120 | | 95 ... 185 | | |
| Diameter | mm | 15 | | 19 | | |
| Tightening torque | Nm | 19 | | 25 | | |
| Clamping screw | | M14 | | M16 | | |
| Blade size | | M6 | | M8 | | |
| Stripping length | mm | 27 ... 29 | | 27 ... 29 | | |
| Outputs | A | B | C | A | B | C |
| Number of Outputs | 2 | | | 2 | | |
| Clampable conductors: | | | | | | |
| „e“ solid H07V-U | mm ² | 2,5 ... 35 | 2,5 ... 16 | 2,5 ... 10 | 2,5 ... 35 | 2,5 ... 16 |
| „m“ stranded H07V-R | mm ² | 2,5 ... 35 | 2,5 ... 16 | 2,5 ... 10 | 2,5 ... 35 | 2,5 ... 16 |
| „f“ flexible H07V-K | mm ² | 2,5 ... 35 | 2,5 ... 16 | 2,5 ... 10 | 2,5 ... 35 | 2,5 ... 16 |
| „f“ flexible H07V-K and ferrule acc. to DIN 46 228/1 | mm ² | 2,5 ... 35 | 2,5 ... 16 | 2,5 ... 10 | 2,5 ... 35 | 2,5 ... 16 |
| „f“ flexible H07V-K and ferrule with plastic insul. Collar | mm ² | 2,5 ... 25 | 2,5 ... 16 | 2,5 ... 10 | 2,5 ... 25 | 2,5 ... 16 |
| Diameter | mm | 12 | 8 | 7 | 12 | 8 |
| Tightening torque | Nm | 3,5 | 2 | 2 | 3,5 | 2 |
| Clamping screw | | M8 | M6 | M6 | M8 | M6 |
| Blade size | | SD 1,0 x 5,5 x 150 | SD 0,8 x 4,5 x 125 | SD 0,8 x 4,5 x 125 | SD 1,0 x 5,5 x 150 | SD 0,8 x 4,5 x 125 |
| Stripping length | mm | 10 ... 12 | 10 ... 12 | 10 ... 12 | 10 ... 12 | 10 ... 12 |
| UL/CSA rated data | | | | | | |
| Voltage/current/conductor size | UL | | | | | |
| Voltage/current/conductor size | CSA | | | | | |

Ordering Data

| Version | Type | Qty. | Order No. | Type | Qty. | Order No. |
|------------------|---------------------------|------|------------|---------------------------|------|------------|
| dark beige Wemid | WPDB 120/35-16-10 1/2-5-4 | 1 | 1939470000 | WPDB 185/35-16-10 1/2-5-4 | 1 | 1939480000 |

Accessories

| | | | | | |
|--------------------------|--------------------------------------|--------------------|------------|--------------------|------------|
| Screwdrivers | Crosshead screwdriver, Pozidriv type | SD 1,0 x 5,5 x 150 | 9008350000 | SD 1,0 x 5,5 x 150 | 9008350000 |
| | Crosshead screwdriver, Pozidriv type | SD 0,8 x 4,5 x 125 | 9009020000 | SD 0,8 x 4,5 x 125 | 9009020000 |
| | 7-piece hexagon wrench set | SK-S 2,0-8,0 | 9008860000 | SK-S 2,0-8,0 | 9008860000 |
| Labelling systems | Marking labels for laser printer | LM MT300 15 x 9 GE | 1882890000 | LM MT300 15 x 9 GE | 1882890000 |

WPDB 3 x 70/16 1/6

70/16 mm²

3 Phase Supply block



175 A

80 x 54,5 (71,5) x 42,5

386 g

690

175

70 / 16

2,5 KV / 3

V-0

| A | B | C |
|---|---|---|
|---|---|---|

3 x 1

16 ... 70

16 ... 70

16 ... 70

16 ... 70

16 ... 70

12

5

M10

M5

15 ... 16

| A | B | C |
|---|---|---|
|---|---|---|

3 x 6

2,5 ... 16

2,5 ... 16

2,5 ... 16

2,5 ... 16

2,5 ... 16

6

3

M6

M3

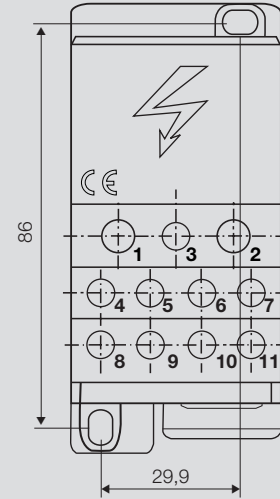
10 ... 12

| Type | Qty. | Order No. |
|--------------------|------|------------|
| WPDB 3 x 70/16 1/6 | 1 | 1939490000 |

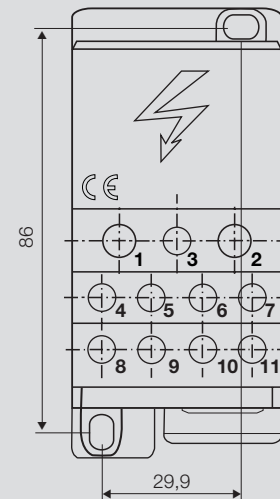
| | |
|--------------|------------|
| SK-S 2,0-8,0 | 9008860000 |
|--------------|------------|

| | |
|--------------------|------------|
| LM MT300 15 x 9 GE | 1882890000 |
|--------------------|------------|

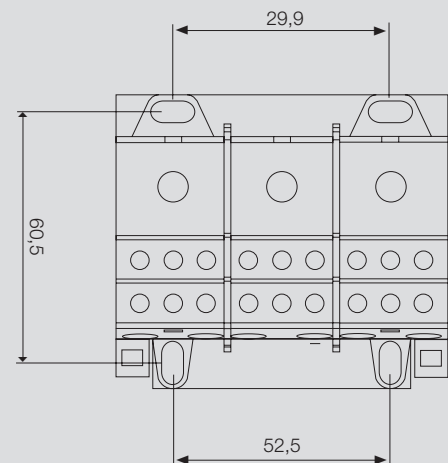
WPDB 120/35-16-10 1/2-5-4



WPDB 185/35-16-10 1/2-5-4



WPDB 3 x 70/16 1/6



WPDB 70/16 1/6

70/16 mm²

with busbar distribution
(parallel connection) Cu 16 x 5 mm max.



WPDB 35/16/6/N 1/2/5/11

35/16/6/N mm²

3 Phase Supply block
with neutral conductor busbar



Technical data

| | | | | | |
|--|-----------------|-------------------|----------------|----------|-----------------------|
| Max. current | | 160 A | | | 125 A |
| Dimensions | | | | | |
| Width / Length (incl. mounting) / Height (mm) with TS 35x7.5 | | 35 x 72 (92) x 49 | | | 98 x 56,5 (74,5) x 45 |
| Weight | | 238 g | | | 314 g |
| IEC rated 60 947-7-1 | | | | | |
| Rated voltage | V | 690 | | | 690 |
| Rated current | A | 160 | | | 125 |
| Rated cross-section in-/output | mm ² | 70 / 16 | | | 35 / 16 |
| Rated impulse voltage / Pollution severity | | 2,5 KV / 3 | | | 2,5 KV / 3 |
| UL94 Flammability Class | | V-0 | | | V-0 |
| Further technical data | | | | | |
| Short-circuit strength (peak value) | kA | 30 | | | 30 |
| Short-circuit strength > 1 s | kA | 11,8 | | | 11,8 |
| Inputs | | A | B | C | A |
| Number of Inputs | | 1 | | | 3 x 1 |
| Clampable conductors: | | | | | |
| „e“ solid H07V-U | mm ² | 10 ... 70 | | | 6 ... 35 |
| „m“ stranded H07V-R | mm ² | 10 ... 70 | | | 1,5 ... 6 |
| „f“ flexible H07V-K | mm ² | 10 ... 70 | | | 1,5 ... 6 |
| „f“ flexible H07V-K and ferrule acc. to DIN 46 228/1 | mm ² | 10 ... 70 | | | 4 ... 16 |
| „f“ flexible H07V-K and ferrule with plastic insul. Collar | mm ² | 10 ... 70 | | | 4 ... 16 |
| Diameter | mm | 13 | | | 6 ... 35 |
| Tightening torque | Nm | 4 | | | 1,5 ... 6 |
| Clamping screw | | M10 | | | 4 ... 16 |
| Blade size | | M5 | | | 4 ... 16 |
| Stripping length | mm | 19 ... 23 | | | 4 ... 16 |
| Outputs | | A | busbar | C | neutral cond. |
| Number of Outputs | | 6 | 16 x 5 mm max. | | 1 |
| Clampable conductors: | | | | | |
| „e“ solid H07V-U | mm ² | 2,5 ... 16 | | | 6 ... 35 |
| „m“ stranded H07V-R | mm ² | 2,5 ... 16 | | | 1,5 ... 6 |
| „f“ flexible H07V-K | mm ² | 2,5 ... 16 | | | 1,5 ... 6 |
| „f“ flexible H07V-K and ferrule acc. to DIN 46 228/1 | mm ² | 2,5 ... 16 | | | 4 ... 16 |
| „f“ flexible H07V-K and ferrule with plastic insul. Collar | mm ² | 2,5 ... 16 | | | 4 ... 16 |
| Diameter | mm | 6 | | | 4 ... 16 |
| Tightening torque | Nm | 2 | 3 | | 4 ... 16 |
| Clamping screw | | M5 | M6 | | 4 ... 10 |
| Blade size | | PZ2 | M5 | | 4 ... 10 |
| Stripping length | mm | 10 ... 12 | | | 4 ... 10 |
| UL/CSA rated data | | | | | |
| Voltage/current/conductor size | UL | | | | 6 ... 25 |
| Voltage/current/conductor size | CSA | | | | 1,5 ... 6 |
| | | | | | 4 ... 10 |
| | | | | | 9 |
| | | | | | 5 |
| | | | | | 7 |
| | | | | | 1,5 |
| | | | | | 0,8 |
| | | | | | 1,5 |
| | | | | | M5 |
| | | | | | M4 |
| | | | | | M5 |
| | | | | | PZ2 |
| | | | | | PZ1 |
| | | | | | PZ2 |
| | | | | | 12 ... 18 |
| | | | | | 9 ... 12 |
| | | | | | 12 ... 18 |

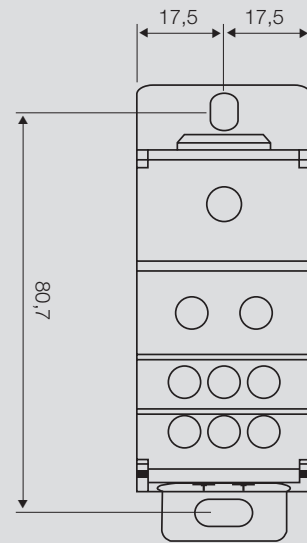
Ordering Data

| Version | Type | Qty. | Order No. | Type | Qty. | Order No. |
|------------------|----------------|------|------------|-------------------------|------|------------|
| dark beige Wemid | WPDB 70/16 1/6 | 1 | 1939500000 | WPDB 35/16/6/N 1/2/5/11 | 1 | 1939510000 |

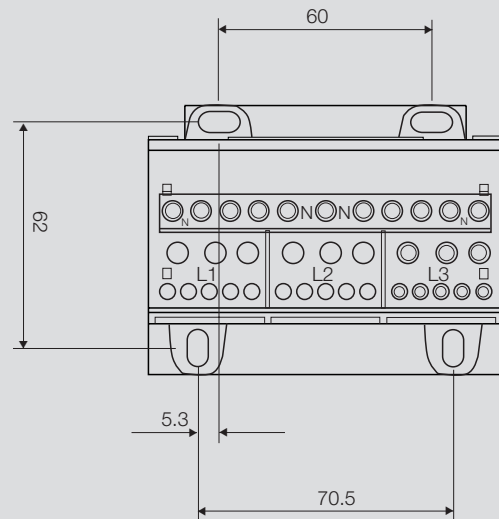
Accessories

| | | | | | |
|--------------------------|--------------------------------------|--------------------|------------|--------------------|------------|
| Screwdrivers | Crosshead screwdriver, Pozidriv type | | | SDK PZ1 | 9008530000 |
| | Crosshead screwdriver, Pozidriv type | SDK PZ2 | 9008540000 | SDK PZ2 | 9008540000 |
| | 7-piece hexagon wrench set | SK-S 2,0-8,0 | 9008860000 | | |
| Labelling systems | Marking labels for laser printer | LM MT300 15 x 9 GE | 1882890000 | LM MT300 15 x 9 GE | 1882890000 |

WPDB 70/16 1/6

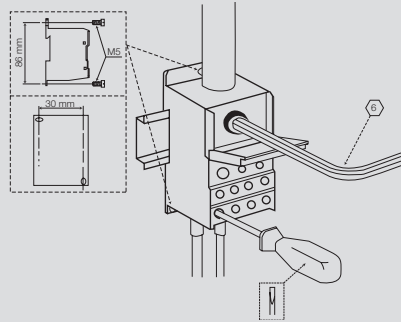


WPDB 35/16/6/N 1/2/5/11

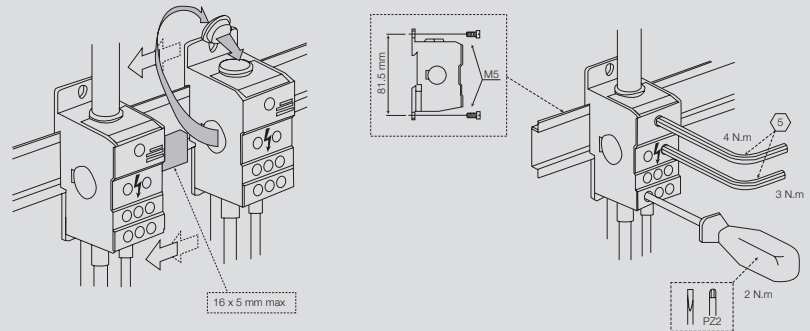


Assembly instructions

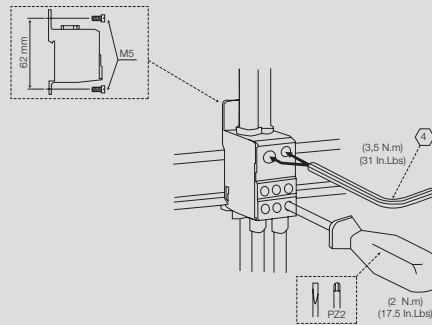
WPDB 120/35-16-10 1/2-5-4 and
WPDB 185/35-16-10 1/2-5-4



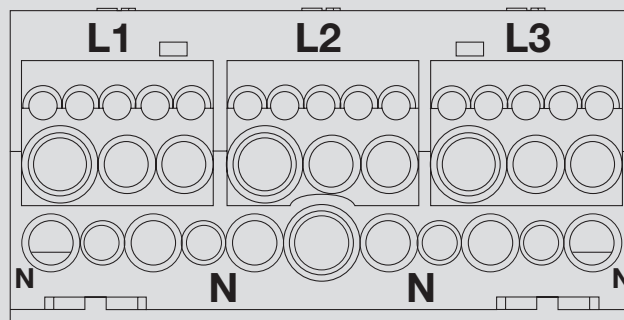
WPDB 70/16 1/6



WPDB 35-16/16 1-1/6



WPDB 35/16/6/N 1/2/5/11



WPDB 3x70/16 1/6

