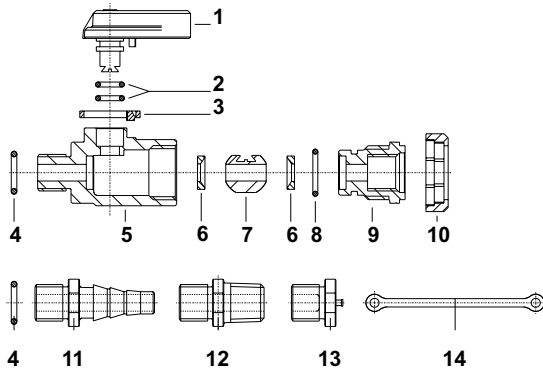


DN	6
B	28,2
D	28,0
H	25,5
t	13,2
PN	10

	G1	G2	A	t1	L	M	N
PVDF	1/4" BSP	1/4" BSP	25,0	11,5	54,5	42,0	15,5
	1/4" NPT	1/4" NPT	27,5	14,5	57,0	44,5	18,0

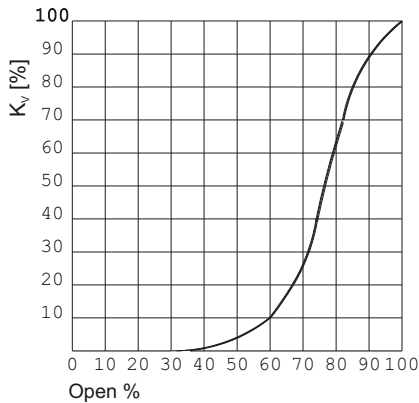
Dimensions in mm!



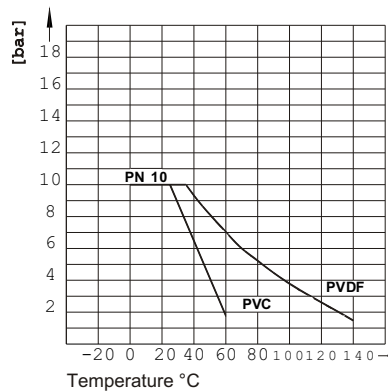
Parts:

- 01. Handle
- 02. O-Ring
- 02.1 O-Ring
- 03. Lock- and meter ring
- 04. O-Ring
- 05. Body
- 06. Ball seating joint
- 07. Ball
- 08. O-Ring
- 09. Thrust collar
- 10. Circlip
- 11. Hose nozzle
- 12. Double nipple
- 13. Plug
- 14. Clip tie

Flow characteristic



Pressure - Temperature - Diagram



General:

- Sealing material: EPDM / FPM
- Body material: PVC - PVDF
- Dimensions: DN 6 / d 10 - 1/4"

Operating pressure:

DN 6 / R 1/4" 10 bar

Connections:

- Hose nozzle
- Double nipple BSP, NPT
- Plug BSP, NPT

Technical specification:

TYPE PRAHER
PVDF Laboratory ball valve S4 DN 6 1/4" NPT
Hose nozzle NPT
Sealing material FPM
Ball seating joint PTFE (Teflon®)
Max. Operating pressure 10 bar
Safety handle system

Features:

- our "lock and meter" ring enables the ball valve to be positioned in several different locking modes, while providing an additional safety feature against unintentional valve activation.
- lock and meter ring enables a locking against unauthorized operation
- compact construction
- low operating forces
- light weight

Subjects to technical modification!

Notice:

Technical data



A large rectangular area with rounded corners, containing a series of horizontal dotted lines for writing. This area is enclosed within a solid black border that also forms the top and left sides of a larger frame.

A large empty rectangular area, likely intended for a drawing or additional technical information. It is enclosed within a solid black border that forms the bottom and right sides of the larger frame.