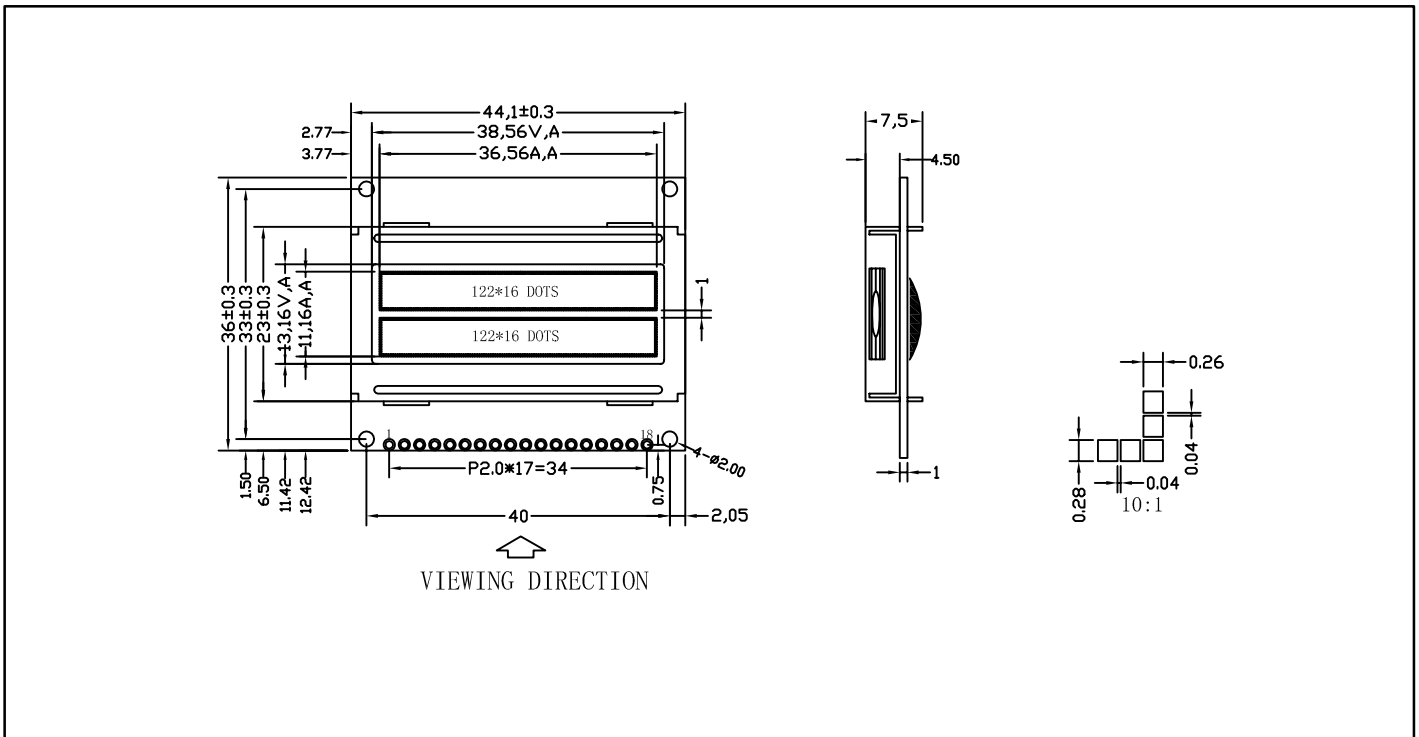


DM12232-E1

*122x32DOTS 1/32Duty 1/5Bias
Yellow-Green mode STN Transflective



ABSOLUTE MAXIMUM RATINGS

Item	Symbol	Min.	Max.	Unit
Supply Voltage (Logic)	Vdd - Vss	-0.3	7.0	V
Supply Voltage (LCD)	Vdd - V0	-0.3	12.0	V
Input Voltage	Vi	-0.3	Vdd + 0.3	V
Operating Temp.	Topr	-10	60	°C
Storage Temp.	Tstg	-20	70	°C

MECHANICAL DATA

Item	Max.	Unit
Module Size (W X H X T)	44.1 X 36.0 X 7.5	mm
Viewing Area (W X H)	38.56 X 13.16	mm
Dot Pitch (W X H)	0.30 X 0.32	mm
Dot Size (W X H)	0.26 X 0.28	mm
View Angle	6 O'Clock	

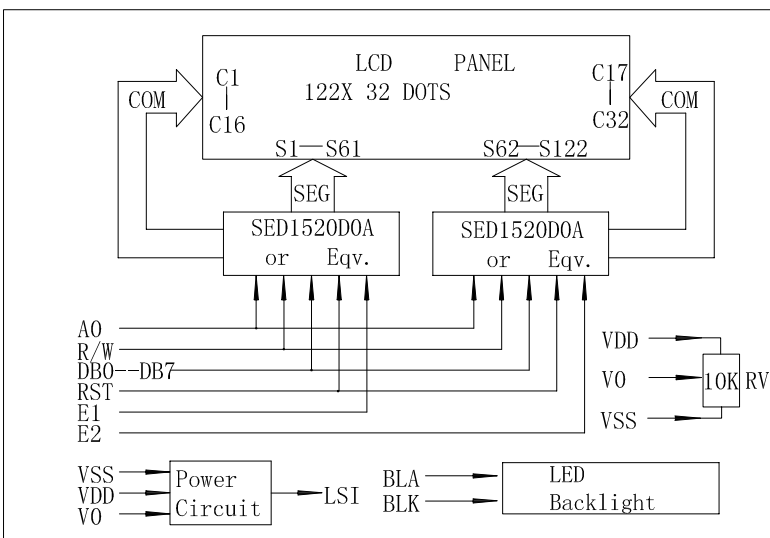
ELECTRICAL CHARACTERISTICS (Vdd=5V±0.25V)

Item	Symbol	Test Condition	Min.	Typ.	Max.	Unit
Input High Voltage	Vih	--	2.0	--	Vdd	V
Input Low Voltage	Vil	--	-0.3	--	0.8	V
Output High Voltage	Voh	Ioh=-0.2mA	2.4	--	Vdd	V
Output Low Voltage	Vol	Iol=-1.6mA	0	--	0.4	V
Supply Current	Idd	Vdd=5.0V	--	0.6	1.0	mA
LCD Driving Voltage	Vdd - V0	Ta=25° C	--	4.7	--	V

PIN CONNECTIONS

Pin	Symbol	Level	Function
1	VDD	+5V	Power supply for logic
2	VSS	0V	Power GND
3	VEE	--	Output voltage for LCD driving
4	RST	L	Reset signal, active "L"
5	E1	H/L	Enable signal 1
6	E2	H/L	Enable signal 2
7	R/W	H/L	H:Read L:Write
8	A0	H/L	Selects Display Data(H) or Instructions(L)
9	DB0	H/L	Data bus line
10	DB1	H/L	
11	DB2	H/L	
12	DB3	H/L	
13	DB4	H/L	
14	DB5	H/L	
15	DB6	H/L	
16	DB7	H/L	
17	BLA	+5V	Power supply for LED backlight
18	BLK	0V	

BLOCK DIAGRAM



LCD Type

LCD Color	Backlight
Yellow Green	LED/Yellow Green/4.2V (≤150mA)