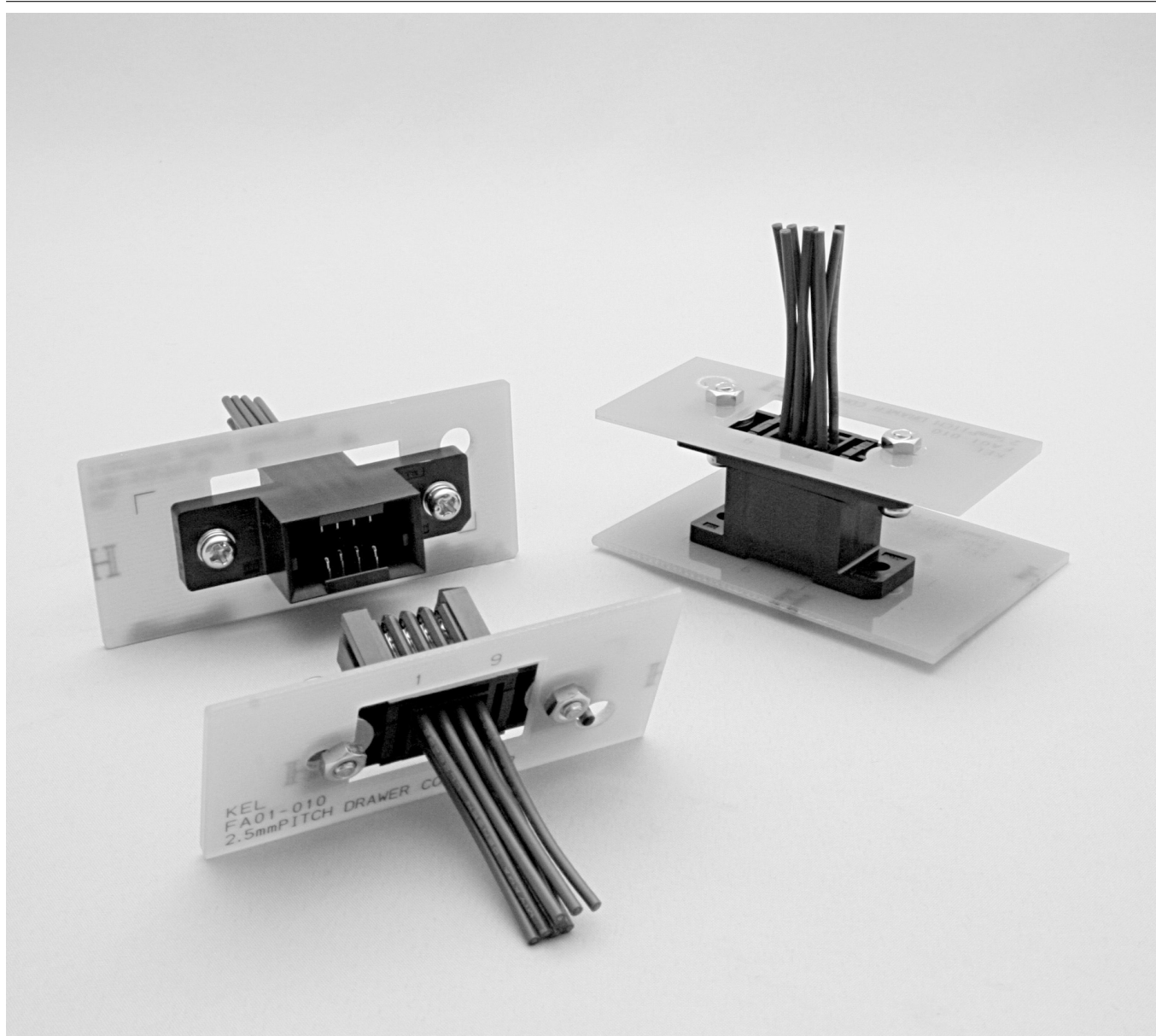




2.5mm Pitch Drawer Connector Crimping Termination for Cable Assembly

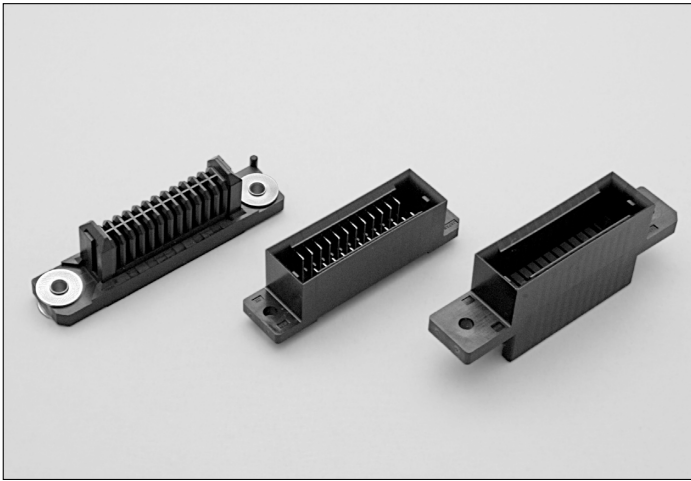
FA SERIES



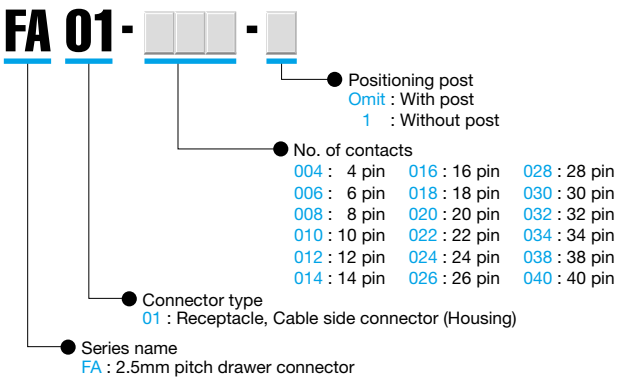


FA SERIES

2.5mm PITCH DRAWER CONNECTOR

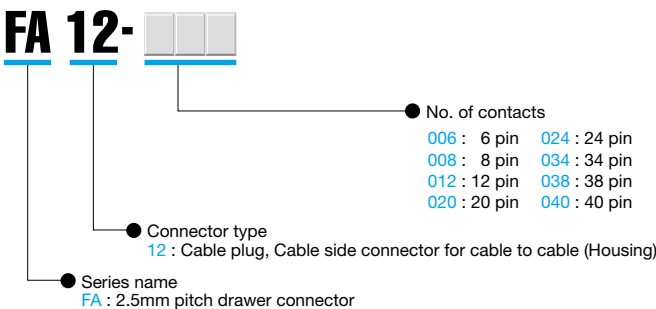
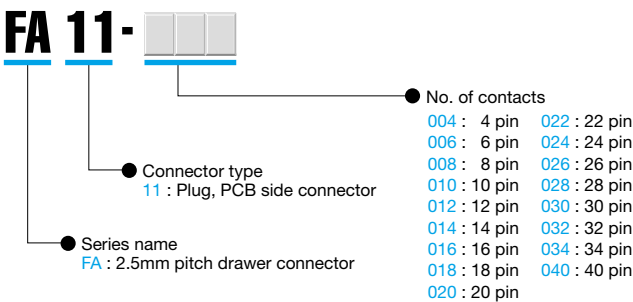


ORDER CODE



*Above order code FA01-□□□□ is for the housing only, contact terminals are sold separately. About #566 order code, please refer next page.

*Pin counts for without positioning post type will be added to the line up accordingly. Please contact your local sales office for consideration and purchasing.



*Above order code FA12-□□□□ is for the housing only, contact terminals are sold separately. About #570 order code, please refer next page.

FEATURES

- 2.5mm pitch drawer connector.
- Receptacle (FA:Cable side connector), Plug(FA11:PCB side connector) and Cable plug (FA12:Cable side connector for cable to cable) are available and can accommodate a wide range of usage.
- Absorbs ±3mm gap in X and Y directions when mating.
- Floating structure of the screwed area enables ±1.4mm displacement in X and Y directions in mated condition.
- Highly reliable design with effective contact displacement of 3mm.
- Crimping termination for cable assembly.
- #22 AWG, #24 AWG, #26 AWG and #28 AWG are applicable.
- Dust resistant twin-leaf pinching 2 point contact structure.
- Live insertion and withdrawal type available.
*Cable plug type connector (FA12) has live insertion and withdrawal.
- A structure to prevent miss insertion.
- Rich pin count variations.
Cable side connector (FA01) : 4, 6, 8, 10, 12, 14, 16, 18, 20, 22, 24, 26, 28, 30, 32, 34, 38 and 40 pins.
PCB side connector (FA11) : 4, 6, 8, 10, 12, 14, 16, 18, 20, 22, 24, 26, 28, 30, 32, 34 and 40 pins.
Cable plug for cable to cable (FA12) : 6, 8, 12, 20, 24, 34, 38 and 40 pins.
- RoHS compliance.

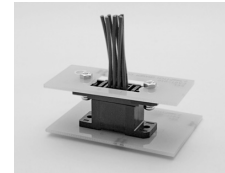
SPECIFICATIONS

- Insulator material : Glass-filled PBT (UL94V-0), Black
- Contact material : Copper alloy
- Contact plating : Gold over Nickel
(Contact /Terminal area)
Tin over Nickel (Crimping area)
- Washer / Rivet material : Stainless steel
- Current rating : 3A per contact
- Contact resistance : 30mΩ max.
- Dielectric withstanding voltage : 650V AC for 1 minute
- Insulation resistance : 1000MΩ min. at 500V DC
- Operating temperature : -40°C to +85°C
- Durability of insertion and withdrawal : 500 times

*High mating cycle endurance type (5,000 times min.) is also available, please contact your local sales office.

PRODUCT OUTLINE

FA Series is 2.5mm pitch drawer connector. Drawer connector can absorb the misalignment of two units and is used in between such as toner cartridge or paper tray and main body of multi



function printer where mating position is not visible or angled mating occurs. The high spec design with such as mating guide, miss insertion prevention, floating and buckling prevention structure enables to solve customer's problems such as buckling of contact pins, mating adjustment, stress when mating and contact failure. The variation of having both board to cable type and cable to cable type offers wide range of usage such as industrial, OA and gaming.

2.5mm PITCH DRAWER CONNECTOR

Contact Terminal

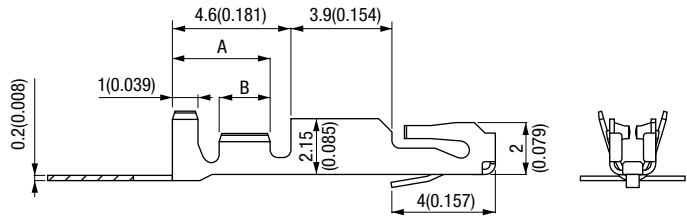
■ Contact terminal for FA01-□□□-□ receptacle (Cable side connector)

● ORDER CODE

#566



- Mating cable
Omit : #22 AWG, #24 AWG and #26 AWG
(Cable diameter : φ1.00mm to 1.70mm)
- 1 : #26 AWG and #28 AWG
(Cable diameter : φ0.88mm to 1.20mm)
- Gold plating thickness (Contact area)
Omit : 0.05μm min.
D : 0.25μm min.
- Contact
#566 : Crimp type for FA01



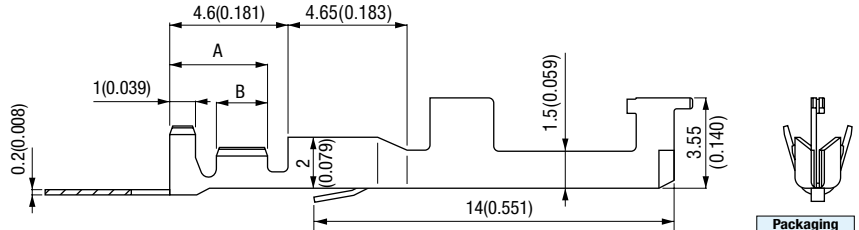
■ Contact terminal for FA12-□□□ cable plug (Cable side connector for cable to cable)

● ORDER CODE

#570



- Mating cable
Omit : #22 AWG, #24 AWG and #26 AWG
(Cable diameter : φ1.00mm to 1.70mm)
- 1 : #26 AWG and #28 AWG
(Cable diameter : φ0.88mm to 1.20mm)
- Contact
#570 : Crimp type for FA12



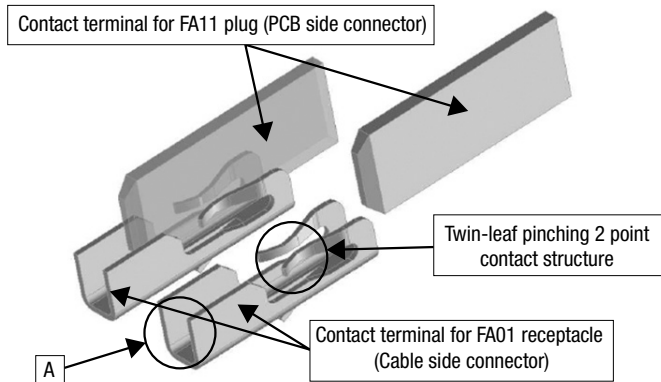
Packaging style
Tape&Reel

■ Product Table / Dimensions

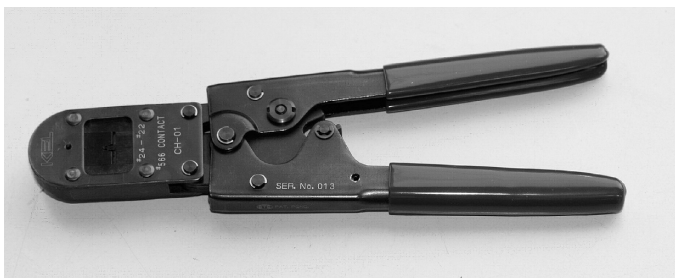
Part Number	A	B	Number of packaging
#566□	3.80(0.150)	2.0(0.079)	10,000
#566□-1	3.55(0.140)	1.5(0.059)	10,000
#570	3.80(0.150)	2.0(0.079)	7,500
#570-1	3.55(0.140)	1.5(0.059)	7,500

Twin-Leaf Pinching 2 Point Contact Structure

■ With the KEL original twin-leaf pinching 2 point contact structure, the flat plate type contact of plug connector is inserted into the contact of receptacle connector (A part of the figure on the right side) for electrical contact. The flat plate shaped contact of plug connector is tolerant of buckling compared to pin header type contact, and the stable contact force of the pinching structure of receptacle connector assures high reliability of electrical contact. The twin-leaf pinching 2 point contact structure is a contact method well acknowledged for our GF series battery connector which has high sales and is highly evaluated in lap top computer market.



Assembly Tool



■ Hand Tool

Part Number	CH-01	CH-02
Mating Cable	#22 AWG, #24 AWG	#26 AWG, #28 AWG
Mating Contact	#566□, #570*	#566□-1, #570-1

*Please consult with your local sales office for using CH-01 to crimp #570 contact. [Note] Please contact your local sales office for crimping #566□ or #570 contact to AWG#26 cable with the hand tool.

■ Crimping Machine

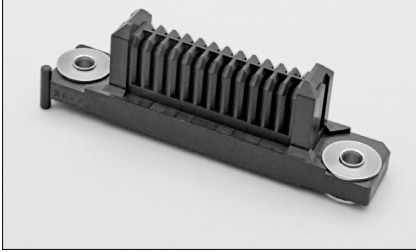
Mating Contact	#566□	#566□-1	#570	#570-1
Manufacture	JAPAN AUTOMATIC MACHINE CO., LTD			
Crimping Machine	LPC220S			
Applicator	CFS779100	CFS815200	CFS791600	CFS813100



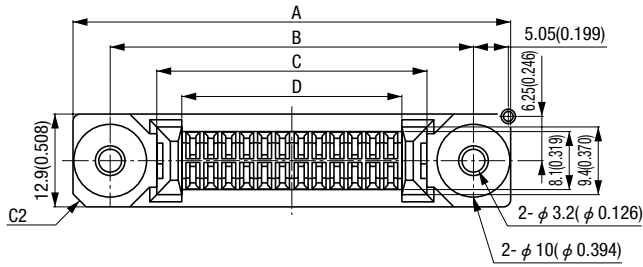
FA SERIES
2.5mm PITCH DRAWER CONNECTOR

FA01-□□□-□ (Receptacle, Housing)

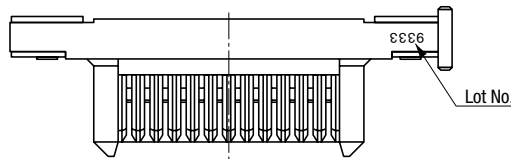
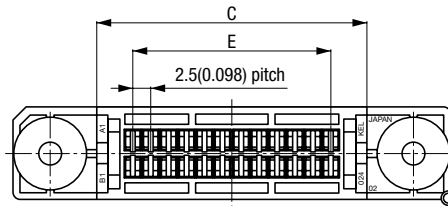
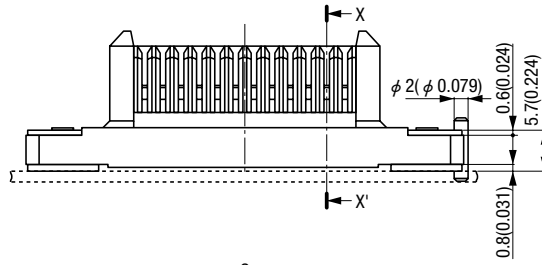
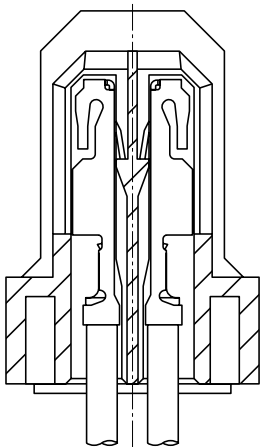
Receptacle (Cable side connector)



Unit:mm(inch)



X-X' Cross Section (Contact Inserted)

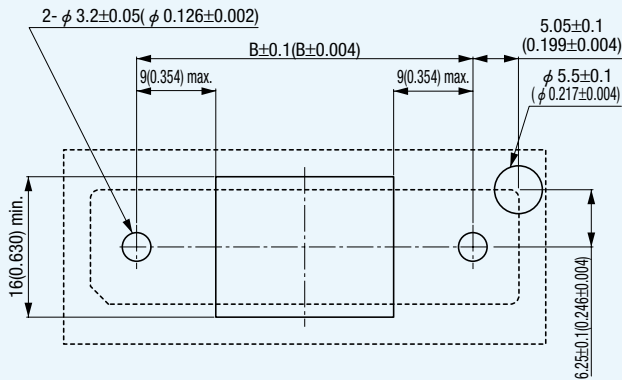


Packaging style
Tray

Product Table / Dimensions

No. of contacts	Part Number	A	B	C	D	E	Number of packaging
4	FA01-004-□	36.0 (1.417)	25.5 (1.004)	12.5 (0.492)	5.7 (0.224)	2.5 (0.098)	108
6	FA01-006-□	38.5 (1.516)	28.0 (1.102)	15.0 (0.591)	8.2 (0.323)	5.0 (0.197)	108
8	FA01-008-□	41.0 (1.614)	30.5 (1.201)	17.5 (0.689)	10.7 (0.421)	7.5 (0.295)	96
10	FA01-010-□	43.5 (1.713)	33.0 (1.299)	20.0 (0.787)	13.2 (0.520)	10.0 (0.394)	96
12	FA01-012-□	46.0 (1.811)	35.5 (1.398)	22.5 (0.886)	15.7 (0.618)	12.5 (0.492)	84
14	FA01-014-□	48.5 (1.909)	38.0 (1.496)	25.0 (0.984)	18.2 (0.717)	15.0 (0.591)	84
16	FA01-016-□	51.0 (2.008)	40.5 (1.594)	27.5 (1.083)	20.7 (0.815)	17.5 (0.689)	72
18	FA01-018-□	53.5 (2.106)	43.0 (1.693)	30.0 (1.181)	23.2 (0.913)	20.0 (0.787)	72
20	FA01-020-□	56.0 (2.205)	45.5 (1.791)	32.5 (1.280)	25.7 (1.012)	22.5 (0.886)	72
22	FA01-022-□	58.5 (2.303)	48.0 (1.890)	35.0 (1.378)	28.2 (1.110)	25.0 (0.984)	72
24	FA01-024-□	61.0 (2.402)	50.5 (1.988)	37.5 (1.476)	30.7 (1.209)	27.5 (1.083)	60
26	FA01-026-□	63.5 (2.500)	53.0 (2.087)	40.0 (1.575)	33.2 (1.307)	30.0 (1.181)	60
28	FA01-028-□	66.0 (2.598)	55.5 (2.185)	42.5 (1.673)	35.7 (1.406)	32.5 (1.280)	60
30	FA01-030-□	68.5 (2.697)	58.0 (2.283)	45.0 (1.772)	38.2 (1.504)	35.0 (1.378)	60
32	FA01-032-□	71.0 (2.795)	60.5 (2.382)	47.5 (1.870)	40.7 (1.602)	37.5 (1.476)	60
34	FA01-034-□	73.5 (2.894)	63.0 (2.480)	50.0 (1.969)	43.2 (1.701)	40.0 (1.575)	48
38	FA01-038-□	78.5 (3.091)	68.0 (2.677)	55.0 (2.165)	48.2 (1.898)	45.0 (1.772)	48
40	FA01-040-□	81.0 (3.189)	70.5 (2.776)	57.5 (2.264)	50.7 (1.996)	47.5 (1.870)	48

Printed Circuit Board Layout (Component Side View)

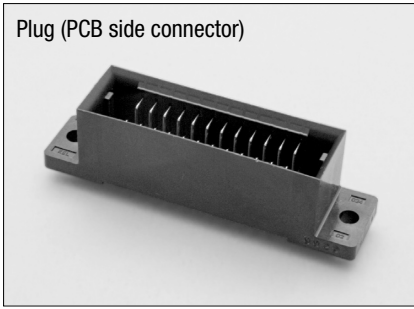


2.5mm PITCH DRAWER CONNECTOR

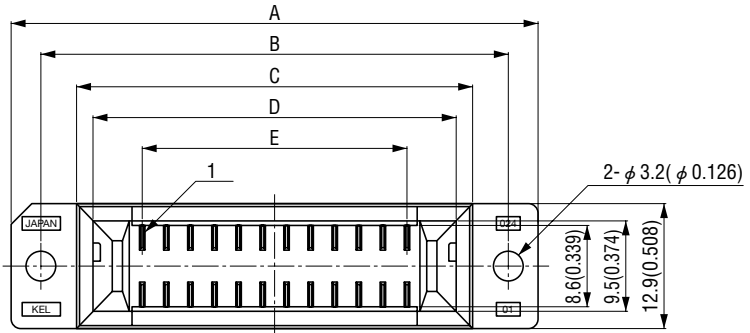


FA11-□□□ (Plug)

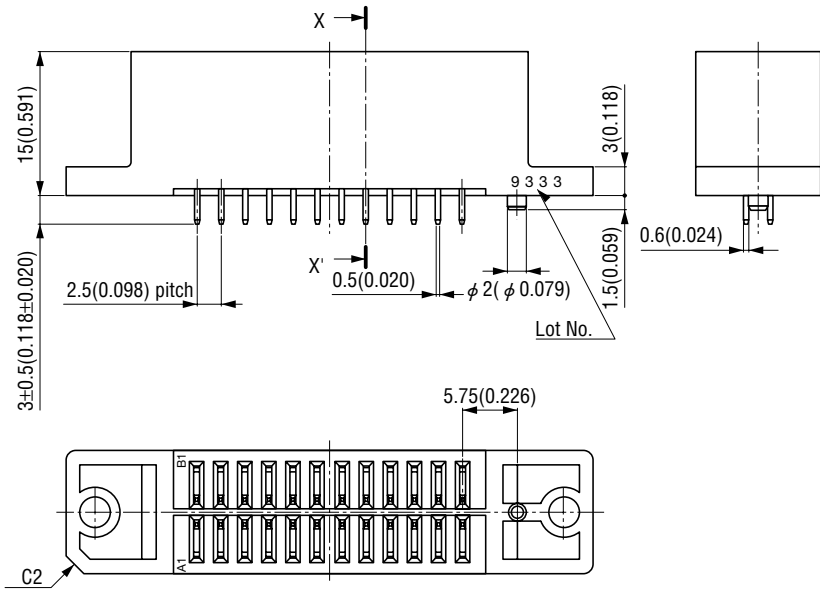
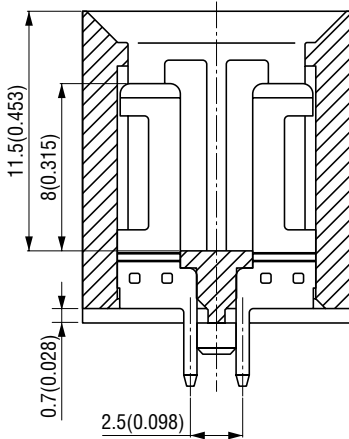
Plug (PCB side connector)



Unit:mm(inch)



X-X' Cross Section

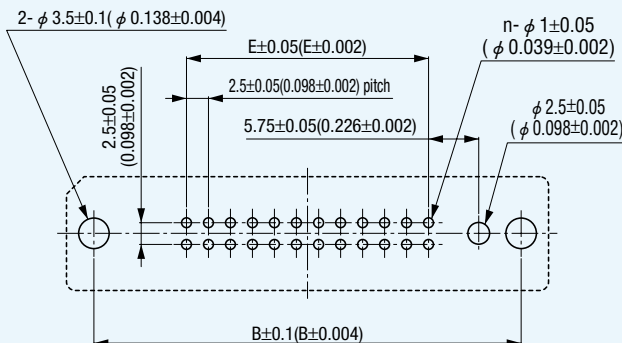


Packaging style
Pipe

Product Table / Dimensions

No. of contacts	Part Number	A	B	C	D	E	Number of packaging
4	FA11-004	29.8 (1.173)	23.6 (0.929)	16.2 (0.638)	12.8 (0.504)	2.5 (0.098)	17
8	FA11-008	34.8 (1.370)	28.6 (1.126)	21.2 (0.835)	17.8 (0.701)	7.5 (0.295)	14
10	FA11-010	37.3 (1.469)	31.1 (1.224)	23.7 (0.933)	20.3 (0.799)	10.0 (0.394)	13
12	FA11-012	39.8 (1.567)	33.6 (1.323)	26.2 (1.031)	22.8 (0.898)	12.5 (0.492)	12
14	FA11-014	42.3 (1.665)	36.1 (1.421)	28.7 (1.130)	25.3 (0.996)	15.0 (0.591)	12
16	FA11-016	44.8 (1.764)	38.6 (1.520)	31.2 (1.228)	27.8 (1.094)	17.5 (0.689)	11
18	FA11-018	47.3 (1.862)	41.1 (1.618)	33.7 (1.327)	30.3 (1.193)	20.0 (0.787)	10
20	FA11-020	49.8 (1.961)	43.6 (1.717)	36.2 (1.425)	32.8 (1.291)	22.5 (0.886)	10
22	FA11-022	52.3 (2.059)	46.1 (1.815)	38.7 (1.524)	35.3 (1.390)	25.0 (0.984)	9
24	FA11-024	54.8 (2.157)	48.6 (1.913)	41.2 (1.622)	37.8 (1.488)	27.5 (1.083)	9
26	FA11-026	57.3 (2.256)	51.1 (2.012)	43.7 (1.720)	40.3 (1.587)	30.0 (1.181)	8
28	FA11-028	59.8 (2.354)	53.6 (2.110)	46.2 (1.819)	42.8 (1.685)	32.5 (1.280)	8
30	FA11-030	62.3 (2.453)	56.1 (2.209)	48.7 (1.917)	45.3 (1.783)	35.0 (1.378)	8
32	FA11-032	64.8 (2.551)	58.6 (2.307)	51.2 (2.016)	47.8 (1.882)	37.5 (1.476)	7
34	FA11-034	67.3 (2.650)	61.1 (2.406)	53.7 (2.114)	50.3 (1.980)	40.0 (1.575)	7
40	FA11-040	74.8 (2.945)	68.6 (2.701)	61.2 (2.409)	57.8 (2.276)	47.5 (1.870)	6

Printed Circuit Board Layout (Component Side View)



"n" is number of contacts.



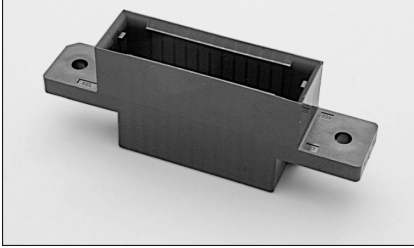
FA SERIES

2.5mm PITCH DRAWER CONNECTOR

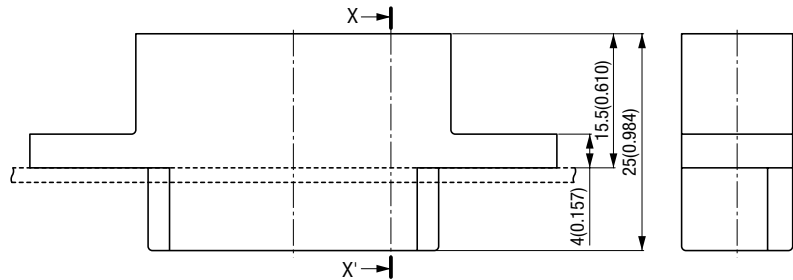
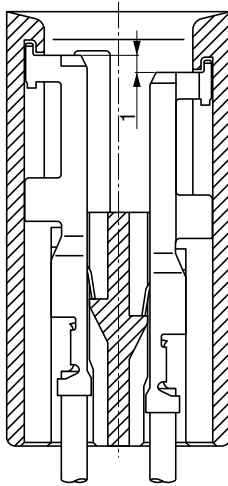
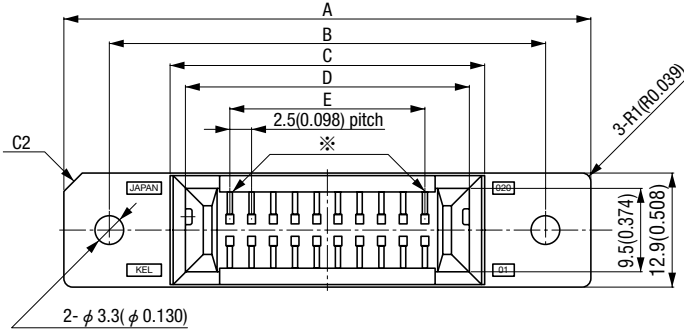
FA12-□□□ (Cable Plug, Housing)

Cable Plug (Cable side connector for cable to cable)

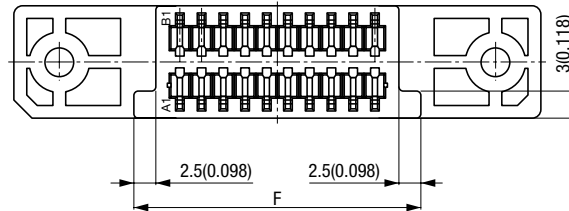
Unit:mm(inch)



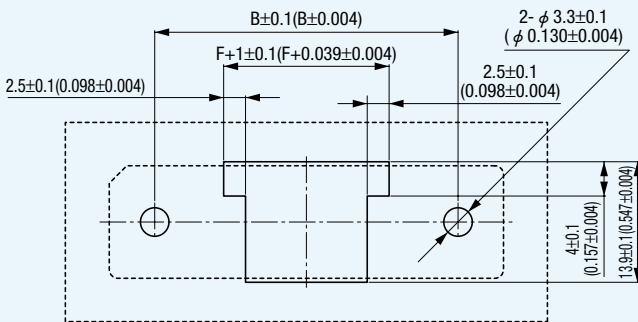
X-X' Cross Section



*Hot-swap positions A1 and An/2 are two places.



Printed Circuit Board Layout (Component Side View)



Packaging style
Tray

Product Table / Dimensions

No. of contacts	Part Number	A	B	C	D	E	F	Number of packaging
6	FA12-006	43.2 (1.701)	32.7 (1.287)	18.7 (0.736)	15.3 (0.602)	5.0 (0.197)	15.7 (0.168)	84
8	FA12-008	45.7 (1.799)	35.2 (1.386)	21.2 (0.835)	17.8 (0.701)	7.5 (0.295)	18.2 (0.717)	84
12	FA12-012	50.7 (1.996)	40.2 (1.583)	26.2 (1.031)	22.8 (0.898)	12.5 (0.492)	23.2 (0.913)	72
20	FA12-020	60.7 (2.390)	50.2 (1.976)	36.2 (1.425)	32.8 (1.291)	22.5 (0.886)	33.2 (1.307)	60
24	FA12-024	65.7 (2.587)	55.2 (2.173)	41.2 (1.622)	37.8 (1.488)	27.5 (1.083)	38.2 (1.504)	60
34	FA12-034	78.2 (3.079)	67.7 (2.665)	53.7 (2.114)	50.3 (1.980)	40.0 (1.575)	50.7 (1.996)	48
38	FA12-038	83.2 (3.276)	72.7 (2.862)	58.7 (2.311)	55.3 (2.177)	45.0 (1.772)	55.7 (2.193)	48
40	FA12-040	85.7 (3.374)	75.2 (2.961)	61.2 (2.409)	57.8 (2.276)	47.5 (1.870)	58.2 (2.291)	48