



25mil (0.635mm) Pitch 2 Piece Connector

8600 SERIES





8600 SERIES
0.635mm PITCH 2 PIECE CONNECTOR



FEATURES

- 0.635mm pitch Board to Board connector.
- Reliable connection with 2mm effective contact displacement assures stable contact.
- 3 mating variations.
(horizontal, stacked and vertical)
- Designed to prevent mis-insertion.
- Can be automatic or manually placed.
- SMT solder joint.
- Coplanarity 0.1mm.
- RoHS compliance.

[Application Note]

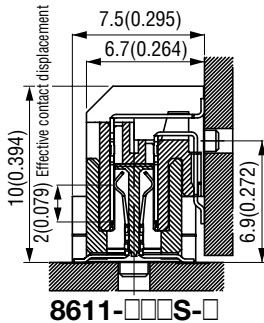
Slant insertion and withdrawal will be caused connector damage.

Mating Combinations

Unit:mm(inch)

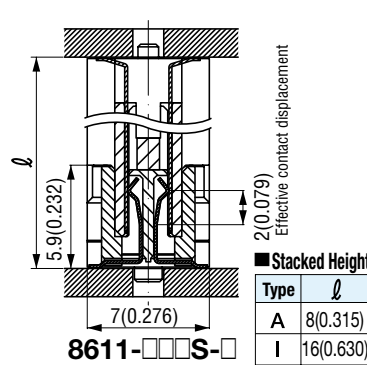
Vertical Mating

8601-□□□L

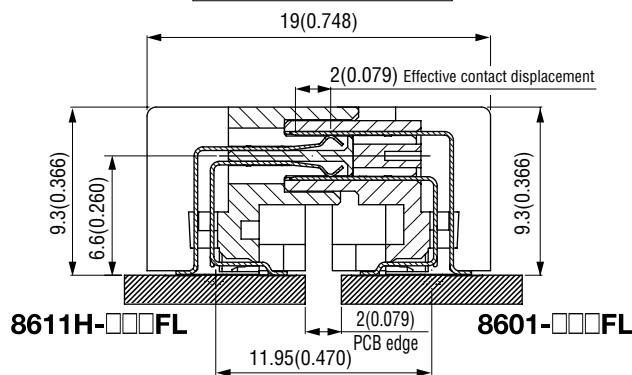


Stacked Mating

8601-□□□FS-□-P



Horizontal Mating



SPECIFICATIONS

- Insulator : Glass-filled LCP (UL94V-0), Black
- Contact material : Copper alloy
- Contact plating : Gold over Nickel
- Retention clip material : Copper alloy
- Retention clip plating : Gold over Nickel
- Current rating : 0.5A per contact
- Contact resistance : 50mΩ max.
- Dielectric withstanding voltage : 200V AC for 1 minute
- Insulator resistance : 100MΩ min. at 250V DC
- Operating temperature : -40°C to +85°C

8600 Series Mating Matrix

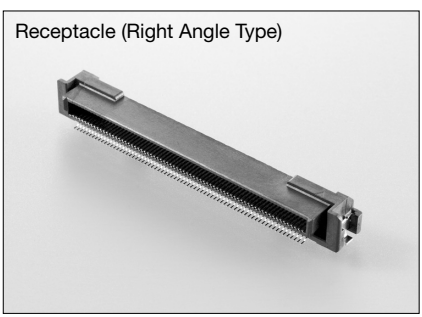
Order Code		Receptacle			
		8601-□□□L	8601-□□□FS-A-P	8601-□□□FS-I-P	8601-□□□FL
Plug	8611-□□□S-□	*1 Vertical Combination	*3 Stack Height : 8mm(0.315)	*3 Stack Height : 16mm(0.630)	*4 Vertical Combination
	8611H-□□□FL	*4 Horizontal Offset Mating (See Note 1)	*2 Vertical Combination	*2 Vertical Combination	*4 Horizontal Mating

[No. of contacts]

*1 : 52, 120, 140 and 160 positions are available. *2 : 120 and positions are available. *3 : 60, 120 and 140 positions are available.

*4 : 120, 140 and 160 positions are available.

(Note1) : Please contact your local sales office prior to making PCB due to that a special notice is needed.



ORDER CODE

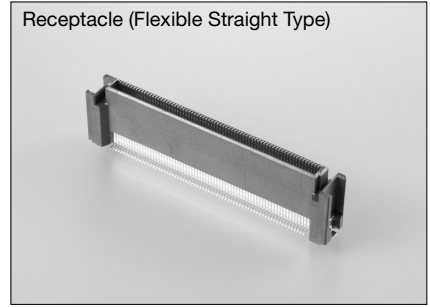
8601- [] [] [] L

- Series name
8601 : Receptacle
- Number of contacts
052 : 52 pin
120 : 120 pin
140 : 140 pin
160 : 160 pin
- Contact tail style
L : Right angle, SMT

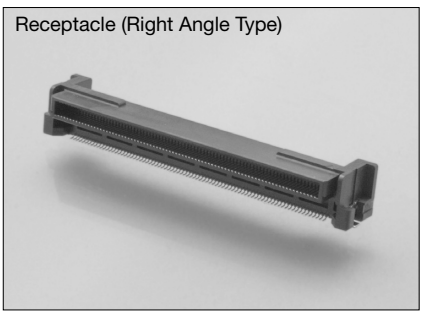
ORDER CODE

8601- [] [] FS- [] - P

- Series name
8601 : Receptacle
- Number of contacts
060 : 60 pin
120 : 120 pin
140 : 140 pin
- Contact tail style
FS : Straight, SMT
Flexible stacking
- Stacked height
A : 8mm
I : 16mm
- P : With Pick&Place cap



*About the product without pick&place cap, Please contact your sales office.



ORDER CODE

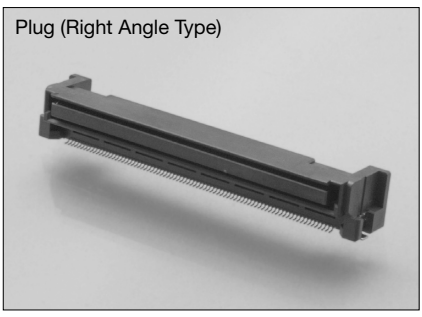
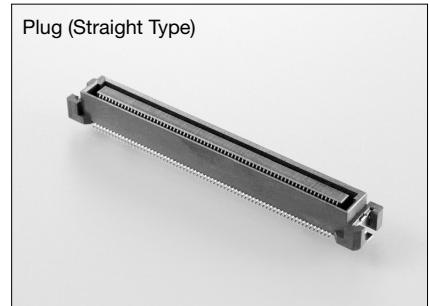
8601- [] [] [] FL

- Series name
8601 : Receptacle
- Number of contacts
120 : 120 pin
140 : 140 pin
160 : 160 pin
- Contact tail style
FL : Right angle, SMT

ORDER CODE

8611- [] [] [] S- []

- Series name
8611 : Plug
- Number of contacts
052 : 52 pin
060 : 60 pin
120 : 120 pin
140 : 140 pin
160 : 160 pin
- Contact tail style
S : Straight, SMT
- P : With Pick&Place cap
Omit : Without Pick&Place cap



ORDER CODE

8611H- [] [] [] FL

- Series name
8611H : Plug
- Number of contacts
120 : 120 pin
140 : 140 pin
160 : 160 pin
- Contact tail style
FL : Right angle, SMT

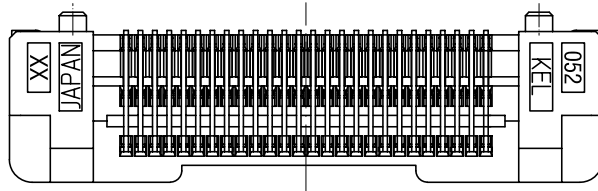
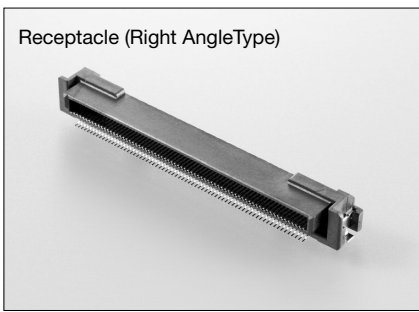


8600 SERIES

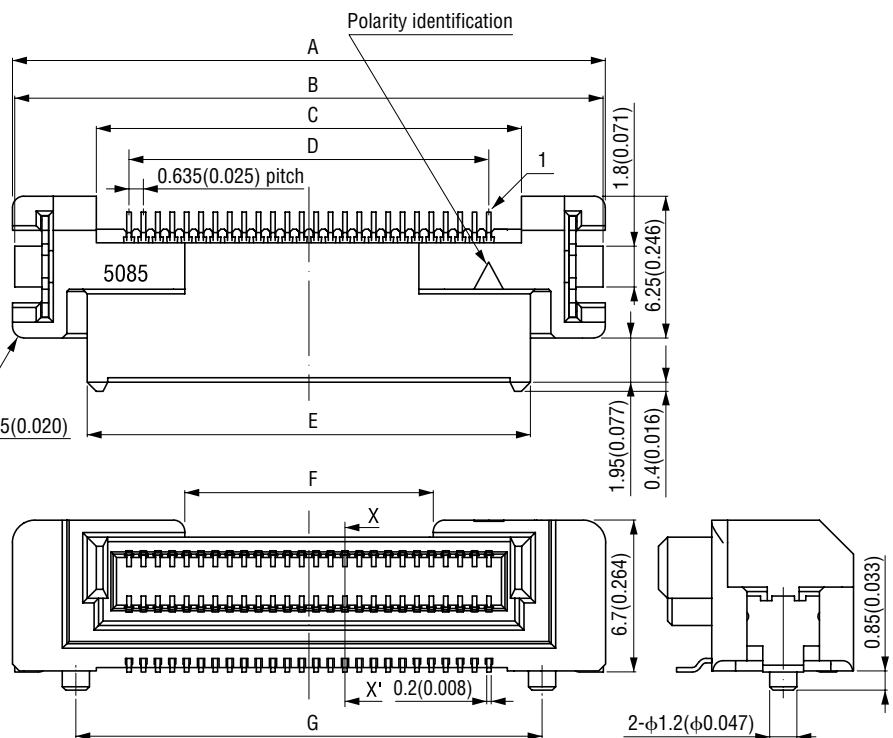
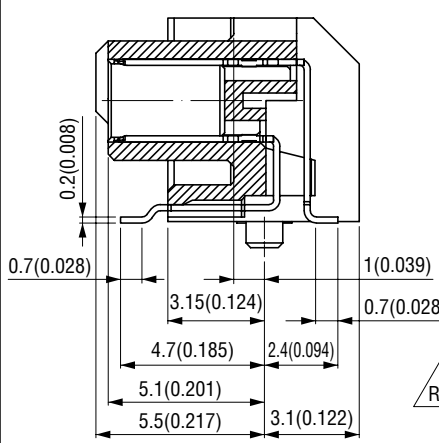
0.635mm PITCH 2 PIECE CONNECTOR

8601-□□□L

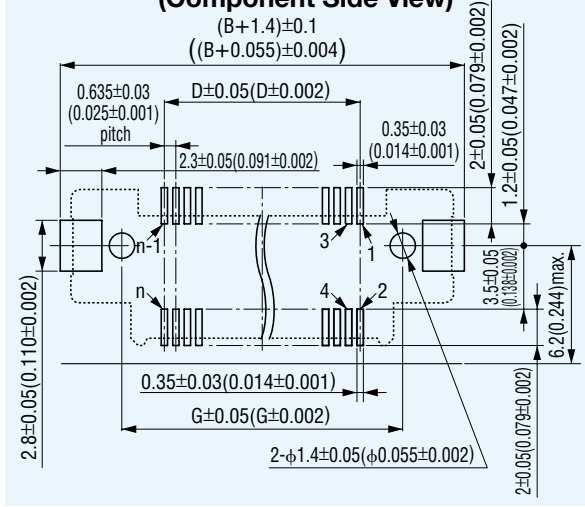
Unit:mm(inch)



X-X' Cross Section



Printed Circuit Board Layout (Component Side View)



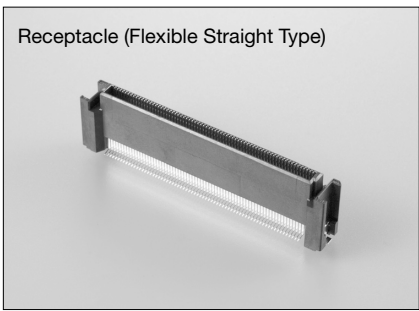
Product Table / Dimensions

No. of contacts	Part Number	A	B	C	D	E	F	G	Number of packaging
52	8601-052L	26.16 (1.030)	25.96 (1.022)	18.76 (0.739)	15.875 (0.625)	19.56 (0.770)	10.96 (0.431)	20.56 (0.809)	60
120	8601-120L	47.75 (1.880)	47.55 (1.872)	40.35 (1.589)	37.465 (1.475)	41.15 (1.620)	26.15 (1.030)	42.15 (1.659)	30
140	8601-140L	54.10 (2.130)	53.90 (2.122)	46.70 (1.839)	43.815 (1.725)	47.50 (1.870)	32.50 (1.280)	48.50 (1.909)	30
160	8601-160L	60.45 (2.380)	60.25 (2.372)	53.05 (2.089)	50.165 (1.975)	53.85 (2.120)	38.85 (1.530)	54.85 (2.159)	30

Packaging style	Tray
-----------------	------



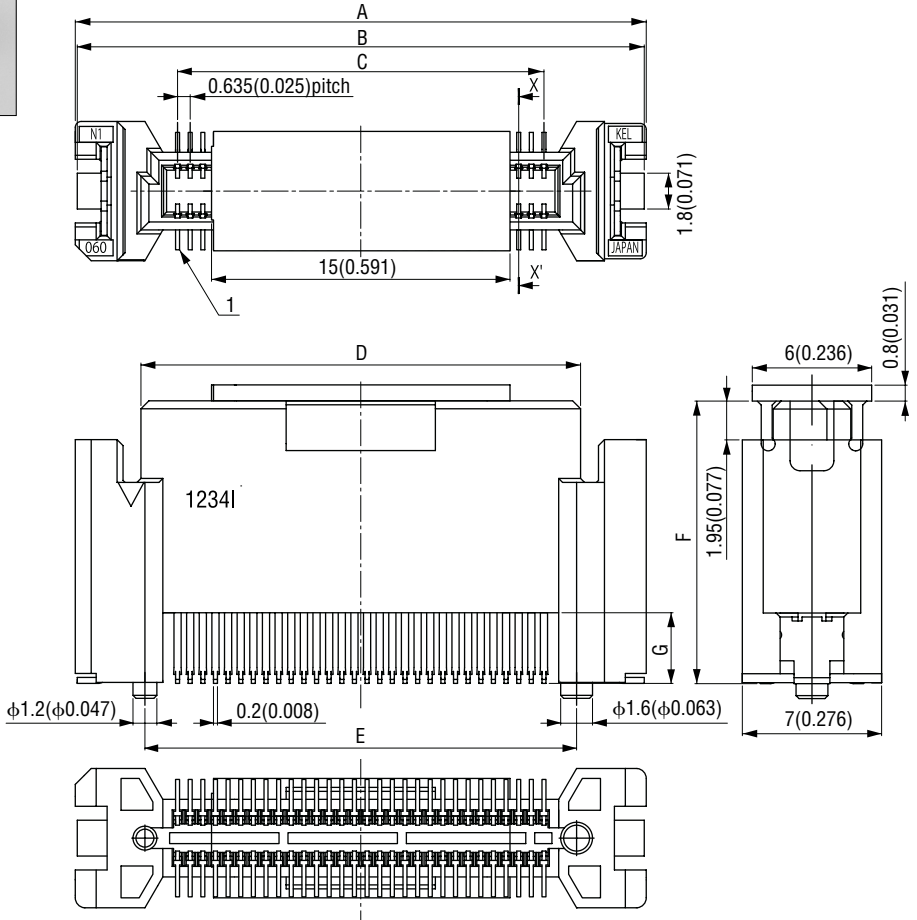
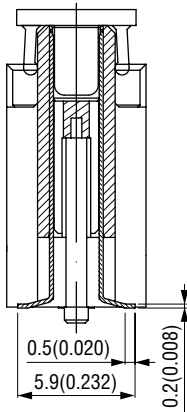
8601-□□□FS-□-P



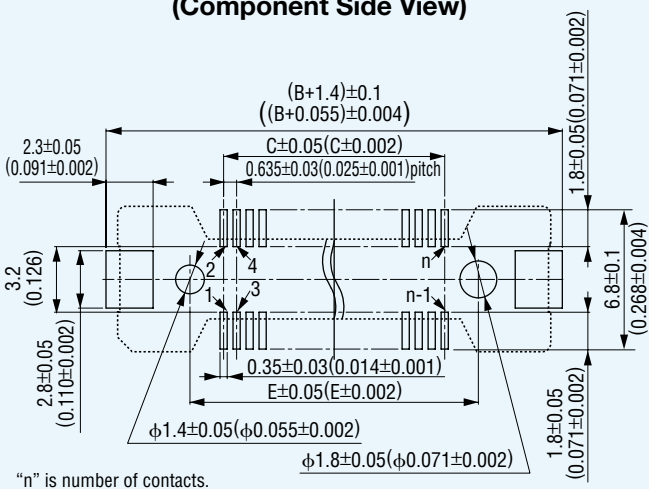
Receptacle (Flexible Straight Type)

Unit:mm(inch)

X-X' Cross Section



Printed Circuit Board Layout (Component Side View)



Stack Height

Part Number	Stack Height	F	G
8601-□□□FS-A-P	8	6.20 (0.244)	0.55 (0.022)
8601-□□□FS-I-P	16	14.20 (0.559)	3.55 (0.140)

Packaging style
Tray

Product Table / Dimensions

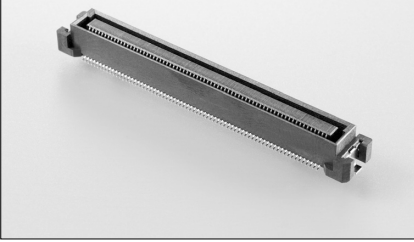
No. of contacts	Part Number	A	B	C	D	E	Number of packaging
60	8601-060FS-□-P	28.70 (1.130)	28.50 (1.122)	18.415 (0.725)	22.10 (0.870)	21.70 (0.854)	50
120	8601-120FS-□-P	47.75 (1.880)	47.55 (1.872)	37.465 (1.475)	41.15 (1.620)	40.75 (1.604)	30
140	8601-140FS-□-P	54.10 (2.130)	53.90 (2.122)	43.815 (1.725)	47.50 (1.870)	47.10 (1.854)	30

0.635mm PITCH 2 PIECE CONNECTOR



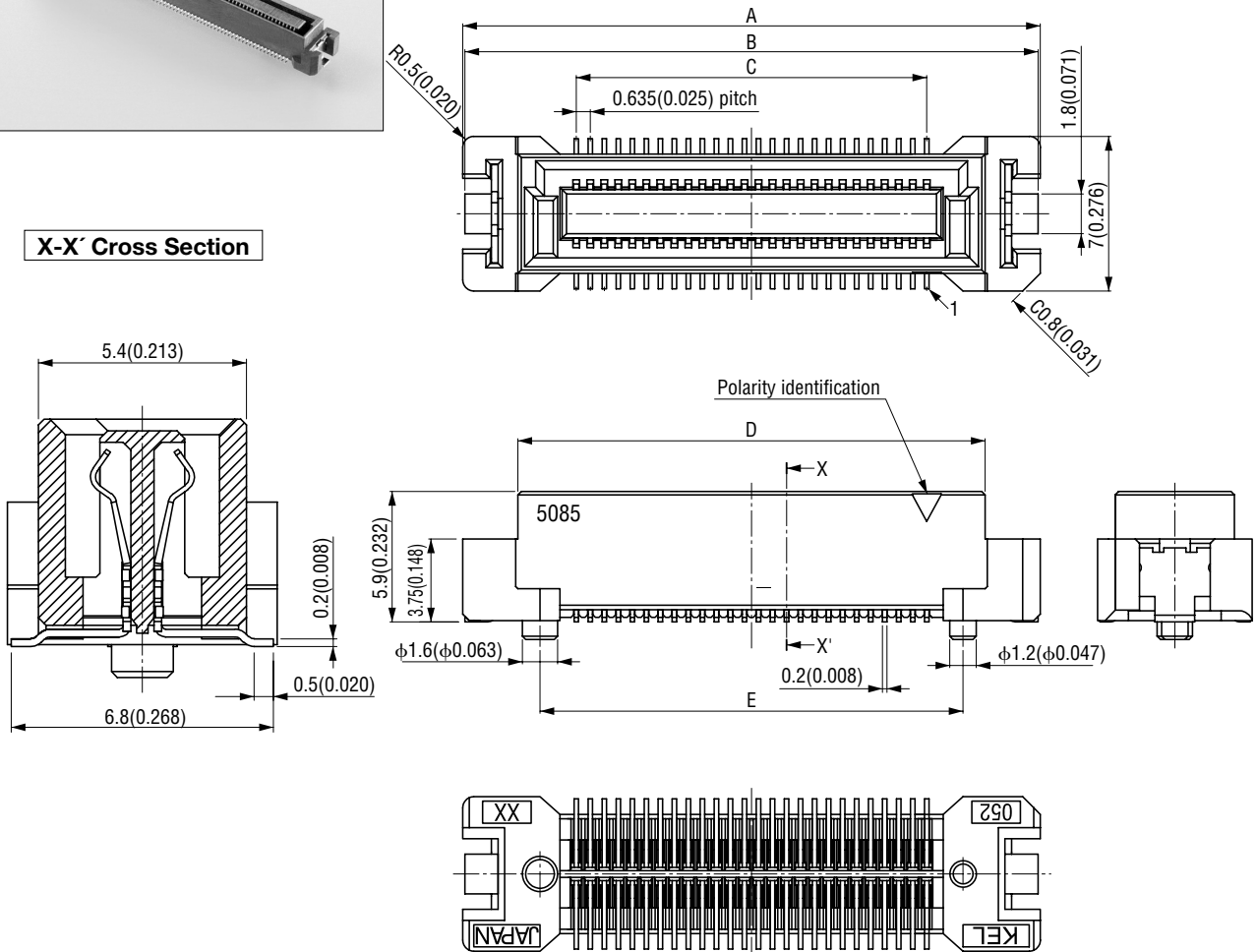
8611-□□□S-□

Plug (Straight Type)

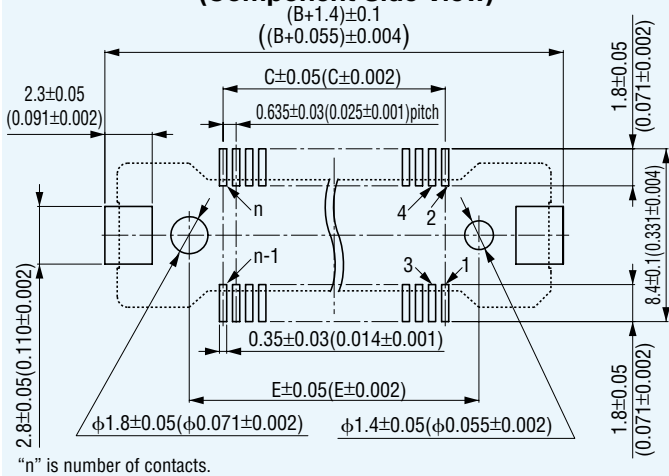


Unit:mm(inch)

X-X' Cross Section



Printed Circuit Board Layout (Component Side View)



Packaging style
Tray

Product Table / Dimensions

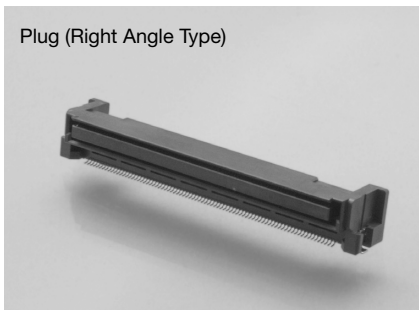
No. of contacts	Part Number	A	B	C	D	E	Number of packaging
52	8611-052S-□	26.16 (1.030)	25.96 (1.022)	15.875 (0.625)	21.16 (0.833)	19.16 (0.754)	60
60	8611-060S-□	28.70 (1.130)	28.50 (1.122)	18.415 (0.725)	23.70 (0.933)	21.70 (0.854)	50
120	8611-120S-□	47.75 (1.880)	47.55 (1.872)	37.465 (1.475)	42.75 (1.683)	40.75 (1.604)	30
140	8611-140S-□	54.10 (2.130)	53.90 (2.122)	43.815 (1.725)	49.10 (1.933)	47.10 (1.854)	30
160	8611-160S-□	60.45 (2.380)	60.25 (2.372)	50.165 (1.975)	55.45 (2.183)	53.45 (2.104)	30



8600 SERIES

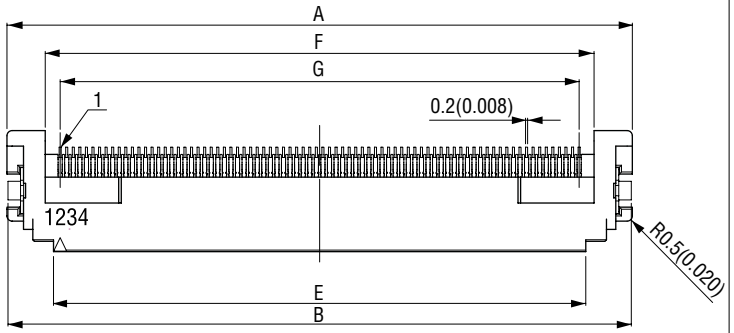
0.635mm PITCH 2 PIECE CONNECTOR

8611H-□□□FL

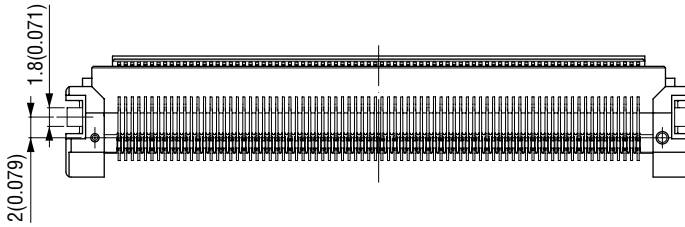
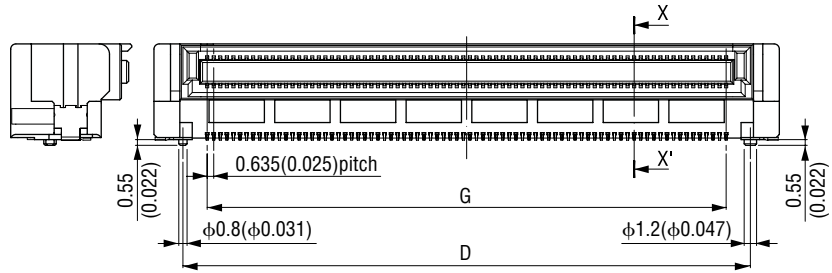
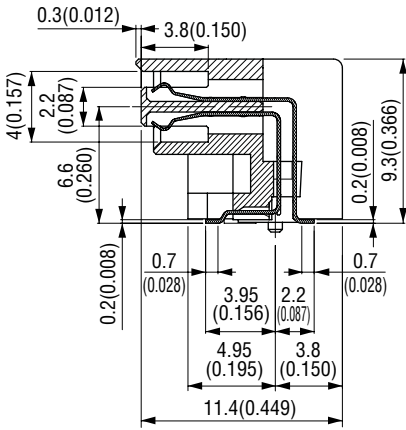


Plug (Right Angle Type)

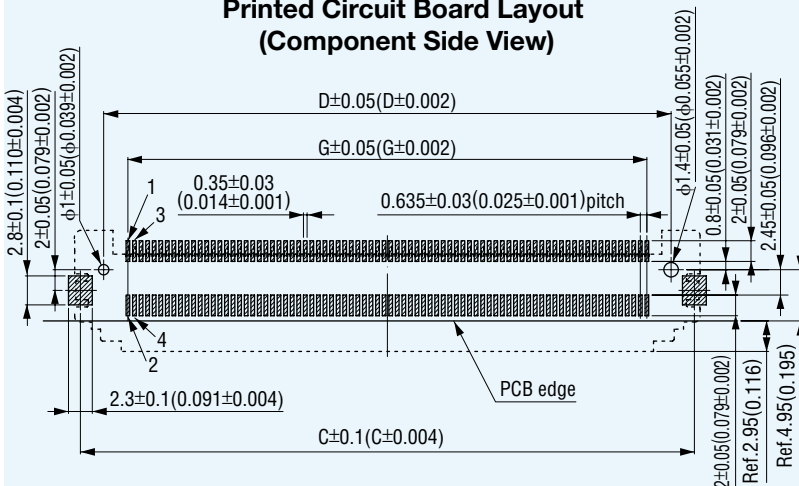
Unit:mm(inch)



X-X' Cross Section



Printed Circuit Board Layout (Component Side View)



Packaging style
Tray

Product Table / Dimensions

No. of contacts	Part Number	A	B	C	D	E	F	G	Number of packaging
120	8611H-120FL	47.75 (1.880)	47.55 (1.872)	46.65 (1.837)	42.15 (1.659)	38.75 (1.526)	40.35 (1.589)	37.465 (1.475)	24
	8611H-140FL	54.10 (2.130)	53.90 (2.122)	53.00 (2.087)	48.50 (1.909)	45.10 (1.776)	46.70 (1.839)	43.815 (1.725)	
160	8611H-160FL	60.45 (2.380)	60.25 (2.372)	59.35 (2.337)	54.85 (2.159)	51.45 (2.026)	53.05 (2.089)	50.165 (1.975)	24