

日本SATO PARTS官网的插拔式接线端子型号ML-800端子排说明书pdf

北京010-68008 911日本进口端子广东省深圳0755-83656701上海天津

Terminal说明书样本 Catalogue



ML-800S

额定电压 额定电流 250V-10A

绝缘电阻DC500V、100MΩ以上

耐电压 AC2000V (1分钟)

取得规格 UL认证规格 ?CSA认证规格?TuV认证规格 (IEC60947-7-1 適合)

極数 (P) 1~20

主絶縁材 (本体) ナイロン66 (UL94V-0)

主絶縁材 (ボタン) P.P.E. (UL94V-0)

定格適合電線 単線 : 1.2mm (AWG16)、撚線 : 1.25mm² (AWG16)、素線径 0.18mm以上

使用可能電線范围 単線 : 0.4mm~ 1.2mm (AWG26~AWG16) 撚線 : 0.2mm²~1.25mm² (AWG24~AWG16)、素線径 0.18mm以上

端子金具 PC端子

標準剥線長 11mm

本体色 GY (灰色)

エンドプレート色 GY (灰色)

操作部颜色 W (白色)、GY (灰色)、B (黑色)、R (红色)、Y (黄色)、G (绿色)、BL (蓝色)、BR (棕色)

ML-800-S1H [ML-800-S3H](#) [ML-800-S1V](#) [ML-800-S3V](#)

ML-800-S1H-1P; ML-800-S1H-2P; ML-800-S1H-3P; ML-800-S1H-4P; ML-800-S1H-5P;
ML-800-S1H-6P; ML-800-S1H-7P; ML-800-S1H-8P; ML-800-S1H-9P; ML-800-S1H-10P;
ML-800-S1H-11P; ML-800-S1H-12P; ML-800-S1H-13P; ML-800-S1H-14P;
ML-800-S1H-15P; ML-800-S1H-16P; ML-800-S1H-17P; ML-800-S1H-18P; ML-800-S1H-19P;
ML-800-S1H-20P; ML-800-S1H-21P; ML-800-S1H-22P; ML-800-S1H-23P; ML-800-S1H-24P;
ML-800-S1H-25P; ML-800-S1H-26P; ML-800-S1H-27P; ML-800-S1H-28P; ML-800-S1H-29P;
ML-800-S1H-30P; ML-800-S1H-1; ML-800-S1H-2; ML-800-S1H-3; ML-800-S1H-4; ML-800-S1H-5;

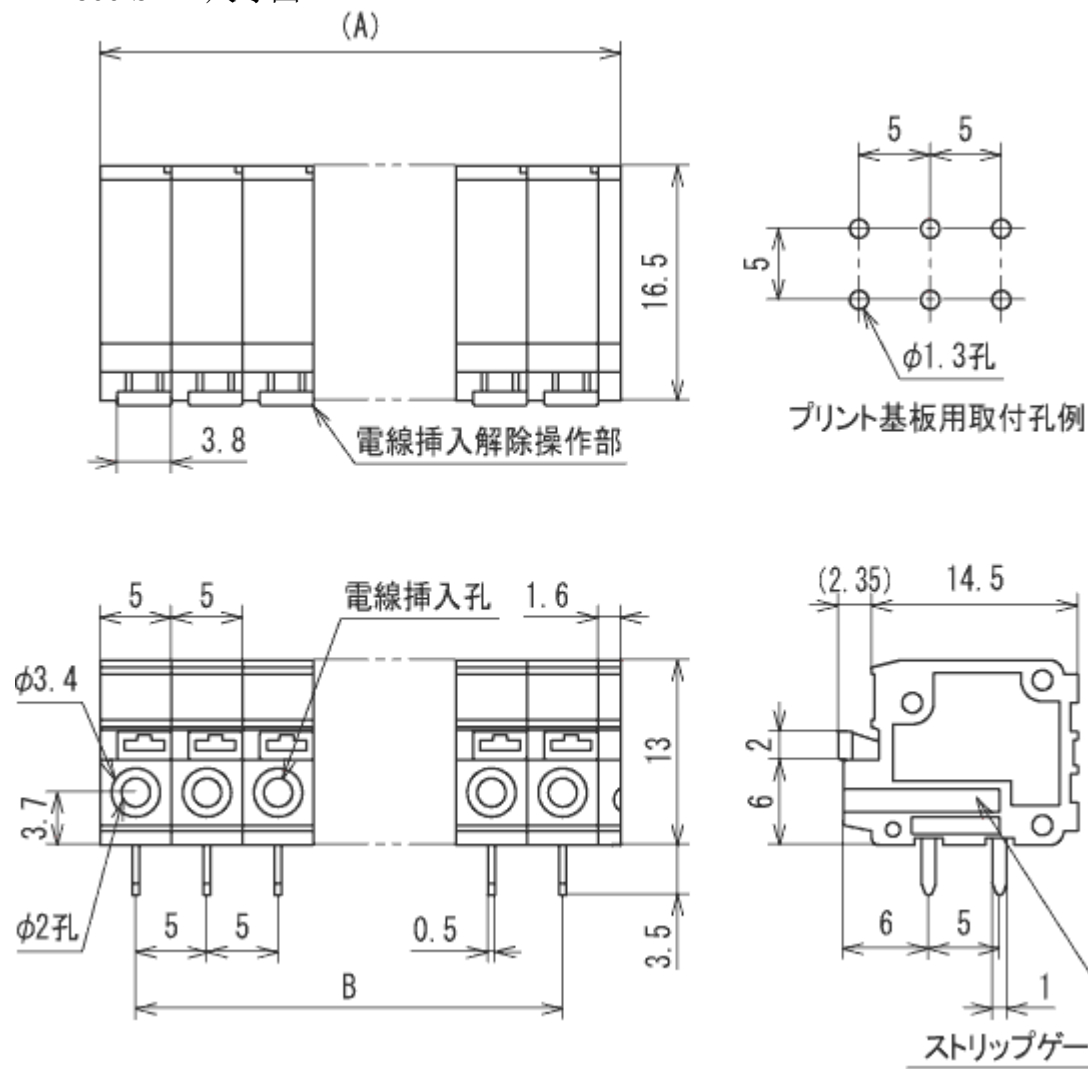
ML-800-S1H-6; ML-800-S1H-7; ML-800-S1H-8; ML-800-S1H-9; ML-800-S1H-10; ML-800-S1H-11;
ML-800-S1H-12; ML-800-S1H-13; ML-800-S1H-14; ML-800-S1H-15;
ML-800-S1H-16; ML-800-S1H-17; ML-800-S1H-18; ML-800-S1H-19; ML-800-S1H-20;
ML-800-S1H-21; ML-800-S1H-22; ML-800-S1H-23; ML-800-S1H-24; ML-800-S1H-25;
ML-800-S1H-26; ML-800-S1H-27; ML-800-S1H-28; ML-800-S1H-29; ML-800-S1H-30;

ML-800-S3H-2P; ML-800-S3H-3P; ML-800-S3H-4P; ML-800-S3H-5P; ML-800-S3H-6P;
ML-800-S3H-7P; ML-800-S3H-8P; ML-800-S3H-9P; ML-800-S3H-10P; ML-800-S3H-11P;
ML-800-S3H-12P; ML-800-S3H-13P; ML-800-S3H-14P; ML-800-S3H-15P; ML-800-S3H-2;
ML-800-S3H-3; ML-800-S3H-4; ML-800-S3H-5; ML-800-S3H-6; ML-800-S3H-7; ML-800-S3H-8;
ML-800-S3H-9; ML-800-S3H-10; ML-800-S3H-11; ML-800-S3H-12; ML-800-S3H-13;
ML-800-S3H-14; ML-800-S3H-15;

ML-800-S1V-1P; ML-800-S1V-2P; ML-800-S1V-3P; ML-800-S1V-4P; ML-800-S1V-5P;
ML-800-S1V-6P; ML-800-S1V-7P; ML-800-S1V-8P; ML-800-S1V-9P; ML-800-S1V-10P;
ML-800-S1V-11P; ML-800-S1V-12P; ML-800-S1V-13P; ML-800-S1V-14P;
ML-800-S1V-15P; ML-800-S1V-16P; ML-800-S1V-17P; ML-800-S1V-18P; ML-800-S1V-19P;
ML-800-S1V-20P; ML-800-S1V-21P; ML-800-S1V-22P; ML-800-S1V-23P; ML-800-S1V-24P;
ML-800-S1V-25P; ML-800-S1V-26P; ML-800-S1V-27P; ML-800-S1V-28P; ML-800-S1V-29P;
ML-800-S1V-30P; ML-800-S1V-1; ML-800-S1V-2; ML-800-S1V-3; ML-800-S1V-4; ML-800-S1V-5;
ML-800-S1V-6; ML-800-S1V-7; ML-800-S1V-8; ML-800-S1V-9; ML-800-S1V-10; ML-800-S1V-11;
ML-800-S1V-12; ML-800-S1V-13; ML-800-S1V-14; ML-800-S1V-15;
ML-800-S1V-16; ML-800-S1V-17; ML-800-S1V-18; ML-800-S1V-19; ML-800-S1V-20;
ML-800-S1V-21; ML-800-S1V-22; ML-800-S1V-23; ML-800-S1V-24; ML-800-S1V-25;
ML-800-S1V-26; ML-800-S1V-27; ML-800-S1V-28; ML-800-S1V-29; ML-800-S1V-30;

ML-800-S3V-2P; ML-800-S3V-3P; ML-800-S3V-4P; ML-800-S3V-5P; ML-800-S3V-6P;
ML-800-S3V-7P; ML-800-S3V-8P; ML-800-S3V-9P; ML-800-S3V-10P; ML-800-S3V-11P;
ML-800-S3V-12P; ML-800-S3V-13P; ML-800-S3V-14P; ML-800-S3V-15P; ML-800-S3V-2;
ML-800-S3V-3; ML-800-S3V-4; ML-800-S3V-5; ML-800-S3V-6; ML-800-S3V-7; ML-800-S3V-8;
ML-800-S3V-9; ML-800-S3V-10; ML-800-S3V-11; ML-800-S3V-12; ML-800-S3V-13; ML-800-S3V-14;
ML-800-S3V-15;

ML-800-S1H 尺寸图



極数	A	B	極数	A	B	極数	A	B	極数	A	B
1	6.6	-	9	46.6	40.0	17	86.6	80.0	25	126.6	120.0
2	11.6	5.0	10	51.6	45.0	18	91.6	85.0	26	131.6	125.0
3	16.6	10.0	11	56.6	50.0	19	96.6	90.0	27	136.6	130.0
4	21.6	15.0	12	61.6	55.0	20	101.6	95.0	28	141.6	135.0
5	26.6	20.0	13	66.6	60.0	21	106.6	100.0	29	146.6	140.0
6	31.6	25.0	14	71.6	65.0	22	111.6	105.0	30	151.6	145.0
7	36.6	30.0	15	76.6	70.0	23	116.6	110.0	-	-	-
8	41.6	35.0	16	81.6	75.0	24	121.6	115.0	-	-	-

ML-800-S1V尺寸图

