

# KT-302H

030-68205911北京 0755-83656701深圳 0531-81157933江苏省 无锡 烟华查询

## Gauge & Absolute Pressure Transmitter

The KT-302H with HART-protocol is suitable for various sensors and converts input signals into 4 to 20 mA analogue output signal. Standard installation of the KT-302H is for KT-301 housing. Further versions are possible on request. The KT-302H can be programmed via three buttons. Following parameters can be adjusted : zero, span, decimal point, damping, display mode, restore data and so on. For parameter setting and visualization of measured value an optional liquid crystal displays is available. The display can continuously rotatable 330° and with backlight. The module is protected against miswiring and transient overvoltages.

### Features

- Continuously rotatable display (330°)
- Popular sensors acceptable
- Self stability and filter setup
- Excellent EMC performance

### Ordering Codes

Basic	Type	Range	Mounting Bracket	Connection	Description
KT-302H	S				Sealed Gauge
	A				Absolute
		01 ~ 18			Range Table Reference
			0		None
			1		With Bracket
				0	PF 3/8 "(STD)
			1	Other	



### Specifications

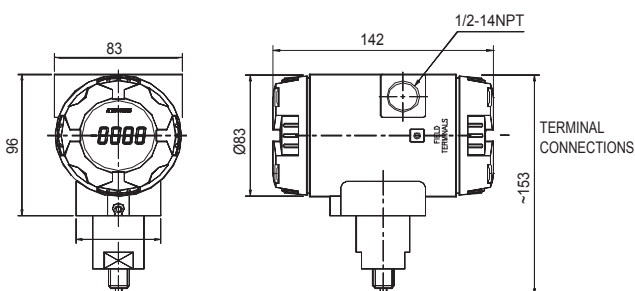
- Wide voltage supply range
- 9-45VDC
- Self stability and filter setup
- Improve transmitter stability
- Freely linearity and temperature compensation
- Self-learning function
- Popular sensors acceptable
- Convenient for using on the local
- Excellent EMC performance
- Suitable for harsh conditions

Code	Range	Code	Range
01	0 ~ 0.35kg/cm <sup>2</sup>	08	0 ~ 210kg/cm <sup>2</sup>
02	0 ~ 1kg/cm <sup>2</sup> (G, A)	09	0 ~ 350kg/cm <sup>2</sup>
03	0 ~ 2kg/cm <sup>2</sup> (G, A)	14	-760mmHg ~ 0kg/cm <sup>2</sup>
04	0 ~ 7kg/cm <sup>2</sup> (G, A)	15	-760mmHg ~ 2kg/cm <sup>2</sup>
05	0 ~ 20kg/cm <sup>2</sup> (G, A)	16	-760mmHg ~ 7kg/cm <sup>2</sup>
06	0 ~ 35kg/cm <sup>2</sup> (G, A)	17	-760mmHg ~ 10kg/cm <sup>2</sup>
07	0 ~ 70kg/cm <sup>2</sup>	18	-760mmHg ~ 350kg/cm <sup>2</sup>
		19	0 ~ 5kPa (Gas measuring type)

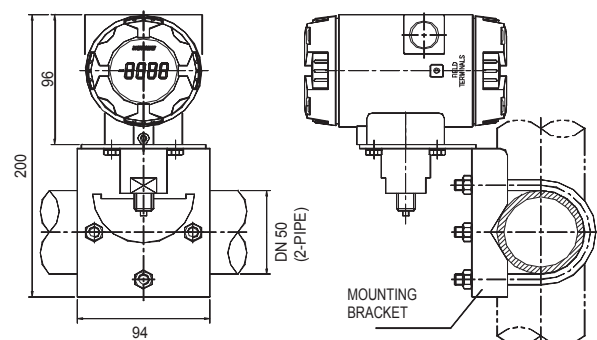
### Dimensions

(Unit : mm)

PRESSURE TRANSMITTER



MOUNTING BRACKET



# KT-302H Gauge & Absolute Pressure Transmitter

## Functions

### • Environment conditions

Ambient and operation	-40~85℃(without display), -20~70℃(with display)
Storage	-40~85℃
Ingress protection	IP 65
Temperate influence	< 0.05% / 10℃
Short-circuit protection	Permanent
Reverse polarity protection	No damage, but also no function
Electromagnetic compatibility(EMC)	Interference immunity and interference emission according to GB/T17626.2-1998, compliance with IEC 61000-4-3:1995.

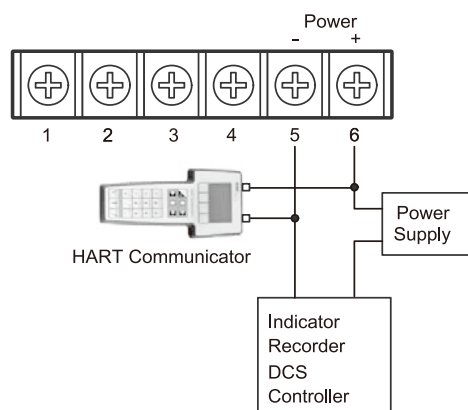
### • Performance characteristics

Accuracy	±0.2% of span
Long term stability	±0.05% / 1year
Switch on delay	≤5s
Response time	≤200 ms (setting damping time 0)
Load influence	Negligible
Power supply influence	Negligible
Self stability configuration	0 to 2%
Filter configurating	0 to 160 μA

## Others

Display Type	5-digit, 52 bars meter
Display Range	-19999-99999
Materials	Housing: ABS
Weight	Approx. 2kg(with display)

## Connections



## Operations

The HART module can be adjusted via three push buttons on display module.

### • Display and push buttons

The indication of the measured value as well as the configuration of the individual parameters occurs through a menu via the LCD. The individual functions can be set with the help of three push buttons. Besides in the display a bargraph is shown, which indicates the current pressure input in percent to the specified pressure range.

### • Following parameters can be adjusted : unlock

PV=0  
4 mA rerange  
20 mA rerange

### • Configuration scaling : damping

display mode  
fixed output

A	Recorders
B	Indicators
C	Converters
D	Controllers
E	Thyristor Units
F	Pressure Transmitters
G	Temperature Transmitters

TPS20 Series
IDP
IGP-10 / IAP-10
KT - 302H
PTF30 Series