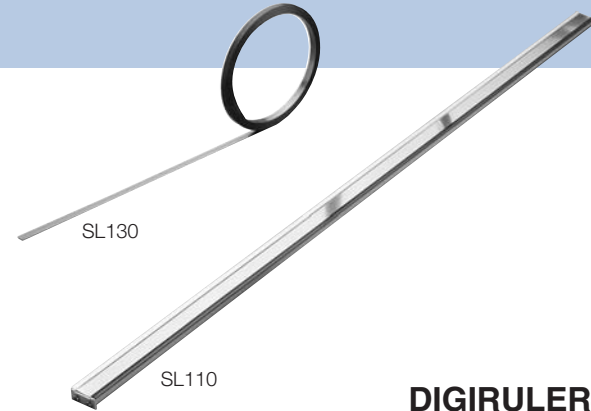


SL

SL110/SL130

Non-contact detection and a long measuring range

- Magnetic principle
- Excellent resistance to workshop conditions (PL20C equivalent to IP65). Resistant to oil, dirt, vibration, and shock.
- Resolution: 10 μm
- Max. response speed: 300 m/min (varies with the read head and settings).
- Available in lengths up to 30 m (SL130)
- High cost efficiency. Easy installation on all types of machines from wood working to metal cutting.

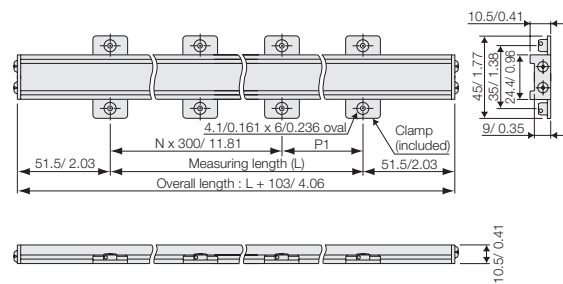


DIGIRULER®

Scale	Head/Cable	Counter
SL110/130	PL20C	LH70/71, LH72 LY71, LY72, LG20

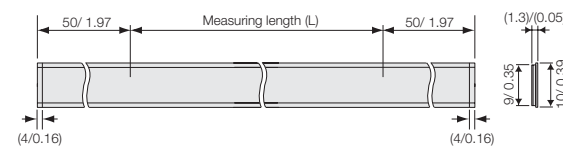
Dimensions

SL110



Model name	Effective length	N	P1	Number of Clamps
SL110-20	200	0	200	4
SL110-30	300	1	0	4
SL110-40	400	1	100	6
SL110-50	500	1	200	6
SL110-60	600	2	0	6
SL110-70	700	2	100	8
SL110-80	800	2	200	8
SL110-100	1000	3	100	10
SL110-120	1200	4	0	10
SL110-150	1500	5	0	12
SL110-160	1600	5	100	14
SL110-170	1700	5	200	14
SL110-180	1800	6	0	14
SL110-200	2000	6	200	16

SL130



Model name	Effective length	Movable length	Overall length
SL130-20	200	230	300
SL130-30	300	330	400
SL130-40	400	430	500
SL130-50	500	530	600
SL130-60	600	630	700
SL130-70	700	730	800
SL130-80	800	830	900
SL130-100	1000	1030	1100
SL130-120	1200	1230	1300
SL130-150	1500	1530	1600
SL130-160	1600	1630	1700
SL130-170	1700	1730	1800
SL130-180	1800	1830	1900
SL130-200	2000	2030	2100
SL130-250	2500	2530	2600
SL130-300	3000	3030	3100
SL130-400	4000	4030	4100
SL130-500	5000	5030	5100
SL130-600	6000	6030	6100
SL130-700	7000	7030	7100
SL130-800	8000	8030	8100

Unit : mm/inch

SL110/130 Specifications

Model	SL110		SL130	
	-20 to -200	-20 to -700	-800 to -3000	
Effective length L mm (inch)	200/300/400/500/600/700/800/1000/1200/ 1500/1600/1700/1800/2000 (7.8/11.8/15.7/19.6/23.6/27.5/31.4/39.3/47.2/ 59.0/62.9/66.9/70.8/78.7)	200/300/400/500/600/700/800/1000/1200/ 1500/1600/1700/1800/2000/3000/ 4000/5000/6000/7000 (7.8/11.8/15.7/19.6/23.6/27.5/31.4/39.3/ 47.2/59.0/62.9/66.9/70.8/78.7/98.4/118.1/ 157.4/196.8/236.2/275.5)	8000/9000/10000/20000/30000 (314.9/354.3/393.7/787.4/1181.1)	
Overall length	L+103 mm/ 4.1"		L+100 mm/ 3.9"	
Accuracy (at 20 °C/68 °F)	± (25 + 5L/ 1000) μm		± (25 + 5L/ 1000 + 10N) μm N=1 when L=8000 /9000/10000, N=2 when L=20000, N=3 when L=30000	
Resolution	10 μm			
Max. response speed	300 m/ min			
Expansion coefficient	(11.1 ± 1) x 10 ⁻⁶ / °C		(10.4 ± 1) x 10 ⁻⁶ / °C	
Operating temperature	-5 °C to 45 °C / 23 °F to 113 °F			
Storage temperature	-10 °C to 50 °C / 14 °F to 122 °F			
Compatible read head	PL20C			

*Accuracy shows the value when used with PL20C read head.

PL

PL20C

Head cable unit

- Output signal: AB quadrature signal
- Resolution: 10 μm
- Max. response speed: 300 m/min (varies with the read head and settings).
- Excellent resistance to workshop conditions (IP65).
- Resistant to oil, dirt, vibration, and shock.

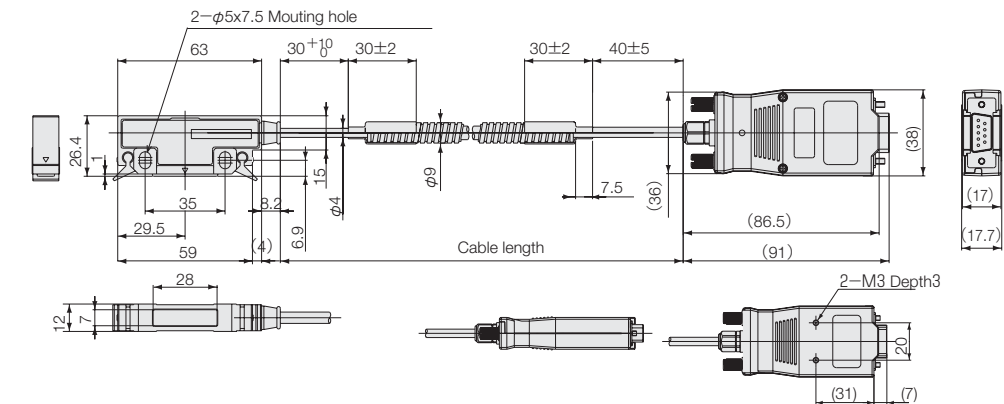


Scale	Head/Cable	Counter
SL110/130	PL20C	LH70/71, LH72 LY71, LY72, LG20

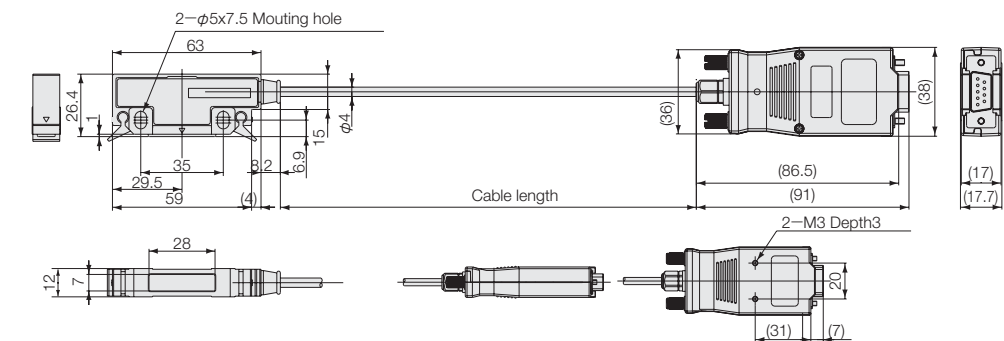
DIGIRULER®

Dimensions

PL20C-**C(Metal armor added)



PL20C-**



Unit : mm

Specifications

Model	PL20C-3/-3C	PL20C-5/-5C	PL20C-10/-10C	PL20C-15/-15C	PL20C-20/-20C	PL20C-30
Cable length	3 m	5 m	10 m	15 m	20 m	30 m
Output signal	AB quadrature signal					
Resolution	10 μm					
Max. response speed	300m/min					
Head mtg. screw tightening torque	0.7-1.1N·m					
Operating temperature	0 to 45 °C/32 to 113°C					
Storage temperature	-10 to 50 °C/-14 to 122 °F					